

1U and 2U Rack Plate Installation Instructions

This guide covers installation of four different rack plates for mounting various Extron GLI-1000 models – a 1U and a 2U flat model for rear access, and a 1U and a 2U recessed model for front access.

Each of the four rack plates ships with the following items:

- Four #10-32 screws w/nylon captive cap washer for mounting the rack plate to the rack
- #6-32 machine screws for mounting devices onto the rack plate
- Small plastic plugs to fill unused holes in rack plate

Before installing the rack plate, consider the available space in the rack, the devices that will be mounted on this plate, and their cable runs.

A rack plate will accommodate several devices, depending on the size of the rack plate (1U or 2U) and the types of devices to be mounted. The 2U plate accepts up to four 2U devices or up to eight 1U devices. The 1U plate accepts up to four 1U devices. Each of these GLI devices has four threaded screw holes in its back panel. Screws included with the rack plate will be used to mount the device onto the rack plate.

The mounting holes in the rack plates and all the devices that can be mounted to them are identically spaced. Therefore, a 1U device and a 2U device can both be mounted on the same 2U plate.

NOTE A 1U GLI-1000 (any model) can be mounted on a 2U rack plate, but a 2U GLI-1000 cannot be mounted onto a 1U rack plate.

It is easiest to first attach the unit(s) to the rack plate, then install the rack plate in the rack. See the illustration on the back of this card.

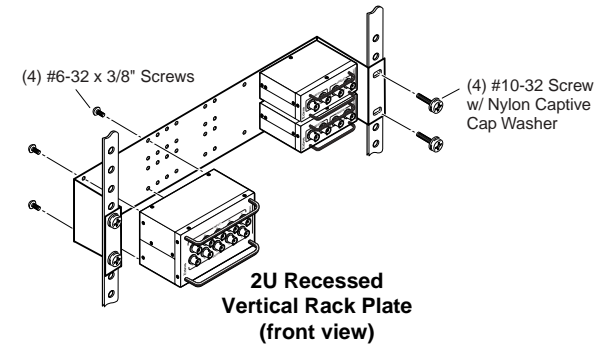
Installing a GLI-1000 device onto a 1U or 2U rack plate

- 1 Align the four rack plate holes with the four threaded holes in the front of the device.
- 2 Use four #6-32 machine screws to secure the device onto the rack plate.
- 3 If a second device is being installed, repeat steps 1 and 2 to mount it onto another portion of the rack plate.

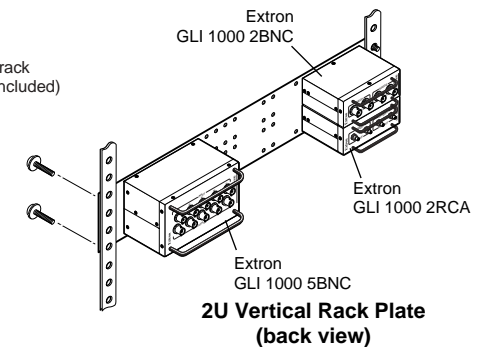
The illustration on the reverse side shows two 1U GLI 1000s and one 2U GLI 1000 installed on a 2U plate.

1U and 2U Rack Plate Installation Instructions (cont'd)

Installing the 1U or 2U rack plate in a rack



Note: Fill unused holes in rack plates with plastic plugs (included)



1. Use four #10-32 rack-mounting screws and washers to mount the plate to the rack. See the illustration above.
2. After all the devices are mounted, connect input and output cables to the devices.
3. Refer to the documentation that came with each device for instructions on proper installation and operation.

Part Numbers

- #70-215-01 — 1U Flat Vertical Rack Plate for GLI-1000 (1U models)
- #70-216-01 — 1U Recessed Vertical Rack Plate for GLI-1000 (1U models)
- #70-213-01 — 2U Flat Vertical Rack Plate for GLI-1000 (all)
- #70-214-01 — 2U Recessed Vertical Rack Plate for GLI-1000 (all)

68-703-01 Rev. A
Printed in the USA
07 02



Extron Electronics, USA
1230 South Lewis Street
Anaheim, CA 92805
USA
714.491.1500
Fax 714.491.1517

Extron Electronics, Europe
Beeldschermweg 6C
3821 AH Amersfoort
The Netherlands
+31.33.453.4040
+65.6383.4400
Fax +31.33.453.4050

Extron Electronics, Asia
135 Joo Seng Road, #04-01
PM Industrial Building
Singapore 368363
+65.6383.4400
+65.6383.4664

Extron Electronics, Japan
Daisan DMJ Building 6F
3-9-1 Kudan Minami
Chiyoda-ku, Tokyo 102-0074 Japan
+81.3.3511.7655
Fax +81.3.3511.7656