

Cable Cubby® 200

Cable Access Enclosure



Extron Electronics
INTERFACING, SWITCHING AND CONTROL

Safety Instructions

Safety Instructions • English

WARNING: This symbol, ⚠, when used on the product, is intended to alert the user of the presence of uninsulated dangerous voltage within the product's enclosure that may present a risk of electric shock.

ATTENTION: This symbol, ⚠, when used on the product, is intended to alert the user of important operating and maintenance (servicing) instructions in the literature provided with the equipment.

For information on safety guidelines, regulatory compliances, EMI/EMF compatibility, accessibility, and related topics, see the Extron Safety and Regulatory Compliance Guide, part number 68-290-01, on the Extron website, www.extron.com.

Instructions de sécurité • Français

AVERTISSEMENT: Ce pictogramme, ⚠, lorsqu'il est utilisé sur le produit, signale à l'utilisateur la présence à l'intérieur du boîtier du produit d'une tension électrique dangereuse susceptible de provoquer un choc électrique.

ATTENTION: Ce pictogramme, ⚠, lorsqu'il est utilisé sur le produit, signale à l'utilisateur des instructions d'utilisation ou de maintenance importantes qui se trouvent dans la documentation fournie avec le matériel.

Pour en savoir plus sur les règles de sécurité, la conformité à la réglementation, la compatibilité EMI/EMF, l'accessibilité, et autres sujets connexes, lisez les informations de sécurité et de conformité Extron, réf. 68-290-01, sur le site Extron, www.extron.fr.

Sicherheitsanweisungen • Deutsch

WARNUNG: Dieses Symbol ⚠ auf dem Produkt soll den Benutzer darauf aufmerksam machen, dass im Inneren des Gehäuses dieses Produktes gefährliche Spannungen herrschen, die nicht isoliert sind und die einen elektrischen Schlag verursachen können.

VORSICHT: Dieses Symbol ⚠ auf dem Produkt soll dem Benutzer in der im Lieferumfang enthaltenen Dokumentation besonders wichtige Hinweise zur Bedienung und Wartung (Instandhaltung) geben.

Weitere Informationen über die Sicherheitsrichtlinien, Produkthandhabung, EMI/EMF-Kompatibilität, Zugänglichkeit und verwandte Themen finden Sie in den Extron-Richtlinien für Sicherheit und Handhabung (Artikelnummer 68-290-01) auf der Extron-Website, www.extron.de.

Instrucciones de seguridad • Español

ADVERTENCIA: Este símbolo, ⚠, cuando se utiliza en el producto, avisa al usuario de la presencia de voltaje peligroso sin aislar dentro del producto, lo que puede representar un riesgo de descarga eléctrica.

ATENCIÓN: Este símbolo, ⚠, cuando se utiliza en el producto, avisa al usuario de la presencia de importantes instrucciones de uso y mantenimiento recogidas en la documentación proporcionada con el equipo.

Para obtener información sobre directrices de seguridad, cumplimiento de normativas, compatibilidad electromagnética, accesibilidad y temas relacionados, consulte la Guía de cumplimiento de normativas y seguridad de Extron, referencia 68-290-01, en el sitio Web de Extron, www.extron.es.

Chinese Simplified (简体中文)

警告: ⚠ 产品上的这个标志意在警告用户该产品机壳内有暴露的危险电压, 有触电危险。

注意: ⚠ 产品上的这个标志意在提示用户设备随附的用户手册中有重要的操作和维护(维修)说明。

关于我们产品的安全指南、遵循的规范、EMI/EMF 的兼容性、无障碍使用的特性等相关内容, 敬请访问 Extron 网站 www.extron.com, 参见 Extron 安全规范指南, 产品编号 68-290-01。

Chinese Traditional (繁體中文)

警告: ⚠ 若產品上使用此符號, 是為了提醒使用者, 產品機殼內存在著可能會導致觸電之風險的未絕緣危險電壓。

注意: ⚠ 若產品上使用此符號, 是為了提醒使用者。

有關安全性指導方針、法規遵守、EMI/EMF 相容性、存取範圍和相關主題的詳細資訊, 請瀏覽 Extron 網站: www.extron.com, 然後參閱《Extron 安全性與法規遵守手冊》, 準則編號 68-290-01。

Japanese

警告: この記号 ⚠ が製品上に表示されている場合は、筐体内に絶緣されていぬ高電圧が流れ、感電の危険があることを示しています。

注意: この記号 ⚠ が製品上に表示されている場合は、本機の取扱説明書に記載されている重要な操作と保守(整備)の指示についてユーザーの注意を喚起するものです。

安全上のご注意、法令遵守、EMI/EMF適合性、その他の関連項目については、エクストロンのウェブサイトwww.extron.comより『Extron Safety and Regulatory Compliance Guide』(P/N 68-290-01)をご覧ください。

Korean

경고: 이 기호 ⚠, 가 제품에 사용될 경우, 제품의 인클로저 내에 있는 접지되지 않은 위험한 전류로 인해 사용자가 감전될 위험이 있음을 경고합니다.

주의: 이 기호 ⚠, 가 제품에 사용될 경우, 장비와 함께 제공된 책자에 나와 있는 주요 운영 및 유지보수(정비) 지침을 경고합니다.

안전 가이드라인, 규제 준수, EMI/EMF 호환성, 접근성, 그리고 관련 항목에 대한 자세한 내용은 Extron 웹 사이트(www.extron.com)의 Extron 안전 및 규제 준수 안내서, 68-290-01 조항을 참조하십시오.

Conventions Used in this Guide

The following notifications are used:

CAUTION: A caution indicates a situation that may result in minor injury.

ATTENTION: Attention indicates a situation that may damage or destroy the product or associated equipment.

NOTE: A note draws attention to important information.

Specifications Availability:

Product specifications are available on the Extron website, www.extron.com.

Copyright

© 2012 Extron Electronics. All rights reserved.

Trademarks

All trademarks mentioned in this guide are the properties of their respective owners.

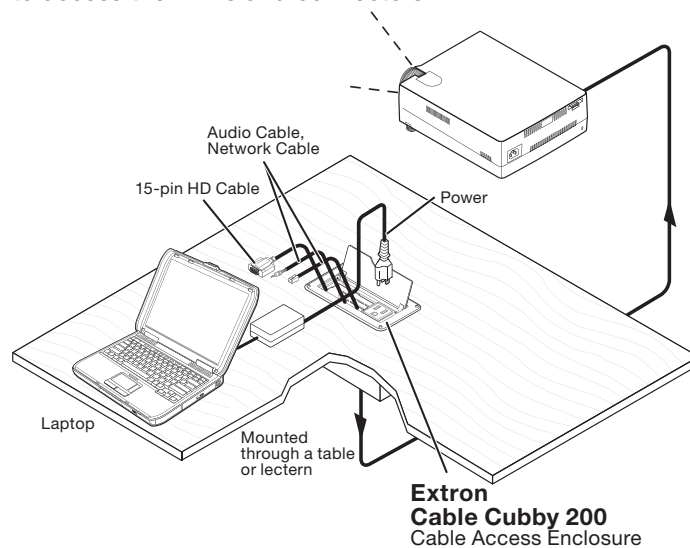
Contents

Introduction.....	1	Reference Information	10
Overview	1	Enclosure Part Numbers.....	10
Cable Cubby 200 Features	1	Included Accessories Part Numbers	10
Kit Contents.....	2	Routing Template Part Numbers	11
Included Parts	2	Top Plate Dimensions	12
Before Getting Started	3	Extron Warranty	13
About the Cable Cubby 200	3		
Planning	4		
Tools and Equipment Required for Installation	4		
Installation.....	5		
Installation Overview	5		
Preparing the Table.....	6		
Prepare the Routing Template.....	6		
Prepare the Table with a Router	6		
Installing and Cabling AAPs	7		
Plan for AAPs	7		
Cable the AAPs	7		
Install Any Necessary Split Grommets and Hole Plugs	8		
Adjust the Cable Position.....	8		
Install Optional Passive AAPs.....	8		
Mounting the Cable Cubby	9		
Test the fit.....	9		
Fasten the Cable Cubby to the Table	9		
Dress the Cables	9		

Introduction

Overview

The Extron Cable Cubby 200 is a furniture-mounted, architectural solution that provides inconspicuous cable access and connection points. When cables are not in use, they can be stored out of the way while remaining connected to the presentation system. Lift the lid to access the AAPs and connectors.



Cable Cubby 200 Features

Easy Access to Cables and AAPs

The Cable Cubby offers an easy way to access cables and connection points from a convenient, compact location. The enclosure is flush mountable into most tables and flat surfaces, storing the AAPs and cables out of the way and out of sight when not in use.

Customizable AAP Enclosure

The AAP spaces inside the Cable Cubby allow you to customize the enclosure to meet your needs. The included (split) double space AAPs can store almost any type of cable you might encounter, while the Extron passive AAPs allow for almost any kind of pass-through connectivity you may need. Pass-through AAPs can be replaced with passive AAPs for fully customized and easily upgraded units.

AC Power Options Including Universal Compatibility

The available universal AC outlet is fully compatible with various plug types. See the *Universal AC Outlet Compatibility Guide* on the Extron website, www.extron.com/UACguide for compatibility details on all plug types.

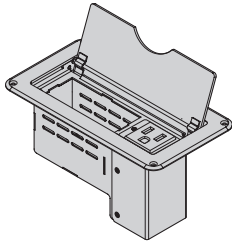
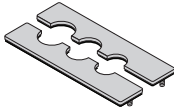
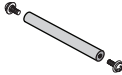


Optional Retractor

The optional Retractor cable retraction system automatically retracts cables into the enclosure and supports most AV and data signal types.

UL Listed and CE Compliance

Kit Contents

Included Parts

Image	Part	Quantity
	Cable Cubby 200 enclosure	1
	Cable pass-through AAPs	2
	Cable stand-offs	4
	Mounting screws (6-32 x 3/4 inch)	4
	Grommet and hole plug kit	1

Before Getting Started

This section describes important information about the Cable Cubby 200 and planning considerations for installation. Topics in this section include:

- [About the Cable Cubby 200](#)
- [Planning](#)
- [Tools and Equipment Required for Installation](#)

About the Cable Cubby 200



Figure 1. Cable Cubby 200 Enclosure with Populated AAPs

The Cable Cubby 200 provides an unswitched AC power outlet appropriate to local distribution regions. Several different types of power receptacles are available, including US/domestic, UK, French, Australian, European, and universal receptacles.

NOTE: See the *Universal AC Outlet Compatibility Guide* on the Extron website, www.extron.com/UACguide for compatibility details on all plug types.

The AAP space for included cable pass-through AAPs or optional Extron passive AAPs allow for customization of the enclosure. It can connect and store almost any type of cable.

NOTE: The elevation and arrangement of the power outlet and AAPs in the Cable Cubby 200 are fixed and not customizable.

Planning

Determine the best location for the enclosure. **Before making any cuts:**

- Ensure that the location where the Cable Cubby is to be installed is convenient for as many users as possible.
- Ensure that the edge on which the lid opens is oriented correctly.
- Ensure that there is ample space under the table for cables.
- Ensure that the correct template or dimensions are used.

NOTE: The table to host the Cable Cubby 200 must have a thickness of at least 3/8 inch (9.5 mm) to ensure that there is enough table material for the mounting screws to securely fasten the Cable Cubby to the table.

Decide on the method for cutting the hole in the table.

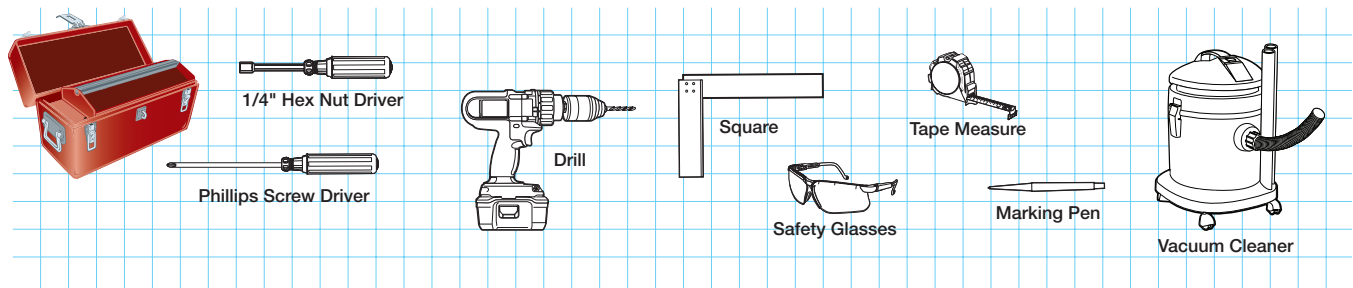
- Hand router and template (recommended)
- CNC wood router
- Jigsaw and paper template

Before starting the installation, check with local and state regulations.

- Ensure that the planned installation complies with building and electrical codes.
- Ensure that the planned installation complies with the Americans with Disabilities Act or other accessibility requirements.

Tools and Equipment Required for Installation

Extron recommends the following equipment (not provided) to ensure the Cable Cubby is properly installed:



Installation

This section provides information for an experienced installer to set up and install the Cable Cubby 200. Before starting, decide where to install the Cable Cubby, verify that all included parts are accounted for, and gather the necessary equipment for installation.

CAUTION: Risk of injury to the eyes. Wear safety glasses when operating the router. Failure to comply can result in eye injury.

Topics in this section include:

- [Installation Overview](#)
- [Preparing the Table](#)
- [Installing and Cabling AAPs](#)
- [Mounting the Cable Cubby](#)

Installation Overview

Install and set up the Cable Cubby enclosure as follows:

If you have an unprepared mounting template, prepare the template (see “[Prepare the Routing Template](#)” on page [6](#)).

1. Cut a hole in the surface where the enclosure is to be installed (see “[Prepare the Table with a Router](#)” on page [6](#)).
2. Run all cables necessary to support the AC connector, the cables stored in the Cubby, and all planned AAP connectors. Leave enough slack in the cables to connect or route them before the cubby is installed in the table.
3. Install all desired cables into the cable pass-through (split) AAPs and install the AAPs into the Cable Cubby (see “[Installing and Cabling AAPs](#)” on page [7](#)).
4. If applicable, connect cables to the rear connectors on the passive AAPs and install the AAPs in the cubby (see “[Install Optional Passive AAPs](#)” on page [8](#)).
5. Mount the Cable Cubby into the mounting surface (see “[Mounting the Cable Cubby](#)” on page [9](#)).
6. Peel the protective film from the top surface.
7. Connect the Cable Cubby power cord.

Preparing the Table

Extron recommends cutting the hole in the table with the Extron metal routing template (see “[Routing Template Part Numbers](#)” on page **11** for part numbers).

NOTE: The hole can be also cut with a CNC wood router or a paper cut-out template (available on the Extron website, www.extron.com), but these methods are not recommended.

ATTENTION: Potential damage to property.

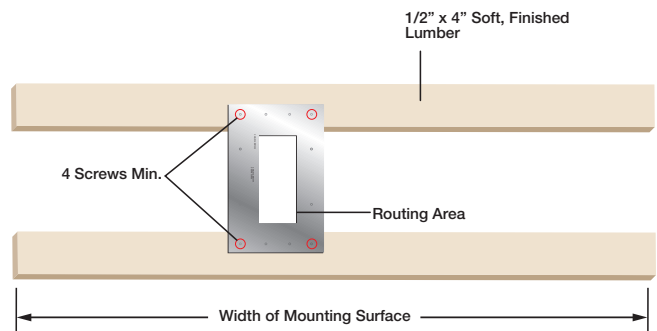
- Exercise care to prevent scarring or damaging the furniture.
- The opening in the table should be cut only by licensed and bonded craftspeople.
- The routing templates for various Cable Cubby models are not interchangeable. Using the wrong template will produce an improper fit.

1. Prepare the Routing Template

NOTE: Save and reuse the metal routing template for installing additional Cable Cubby 200 models.

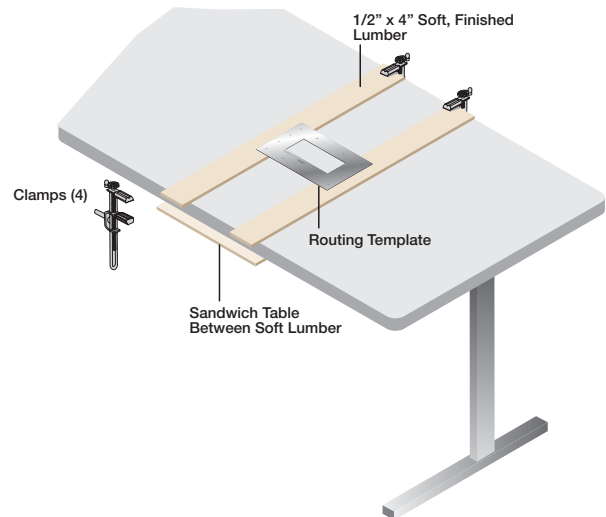
- Cut 1/2 inch x 4 inch strips of soft, finished lumber to a length that is long enough to span the edges of the mounting surface.
- Place the template over the strips so that the opening reaches the desired mounting location and the strips span the surface.
- Using at least four mounting screws, secure the mounting template to the lumber so that the cut-out coincides with the desired orientation of the enclosure.

ATTENTION: Potential damage to property. Protruding screws will scratch the table.



2. Prepare the Table with a Router

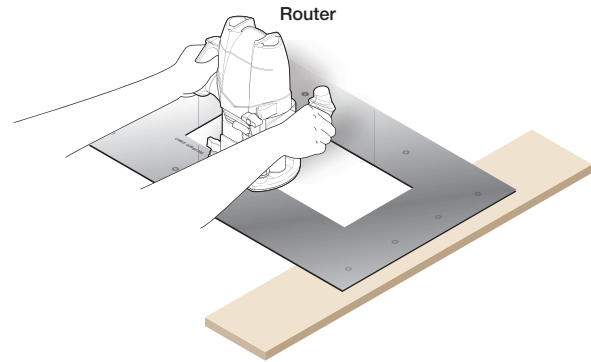
- Mark the desired mounting location on the tabletop. Ensure the enclosure will face the desired direction.
- Place the mounting template assembly on the mounting surface with the lumber strips against the table surface and centered on the marked location. If necessary, use a square to ensure that the template is properly positioned. Extron is not responsible for improperly positioned Cable Cubby models.
- Secure the assembly to the table with C-clamps. Use an additional lumber strip underneath the tabletop to buffer it from the C-clamps.



CAUTION: Risk of injury to the eyes.

Wear safety glasses when operating the router. Failure to comply can result in injury.

- d. Using a router with a 5/8 inch (16 mm) outside diameter guide bushing and a 1/2 inch (12 mm or 12.7 mm) diameter straight router bit, carefully cut the opening in the surface.
- e. Remove the C-clamps and the routing template assembly.



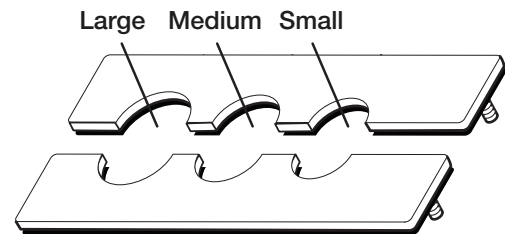
Installing and Cabling AAPs

The Cable Cubby 200 has a fixed AAP shelf. Three half-moon cutouts in the set of cable pass-through (split) AAPs loosely channel three cables in the Cable Cubby. Each channel and each associated split grommet is a different size. Match the diameter of the cable to the size of the channel. For Cable Retractor installation details, refer to the *Cable Retractor User Guide* on the Extron website, www.extron.com.

1. Plan for AAPs

TIP: Typical installations consist of a VGA (large hole), an audio (small hole), and a network (medium hole) cable. In a non-standard installation, match the diameter of the cable to the size of the hole that best applies.

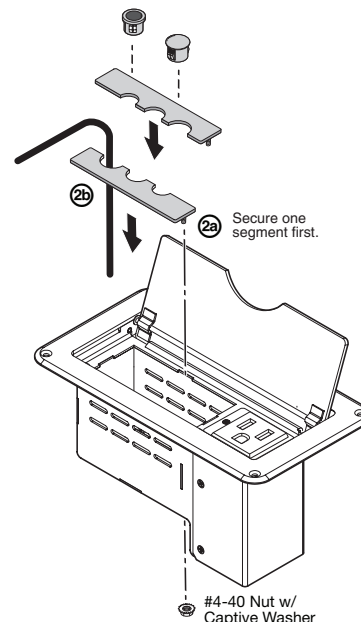
NOTE: Pass-through AAPs can also be replaced by optional passive AAPs for further customization (see “[Installing Optional Passive AAPs](#)” on page 8).



Cable Hole	Hole Size	Grommet Size
Large	0.625" (1.59 cm)	0.453" (1.15 cm)
Medium	0.562" (1.43 cm)	0.390" (.99 cm)
Small	0.500" (1.27 cm)	0.312" (0.79 cm)

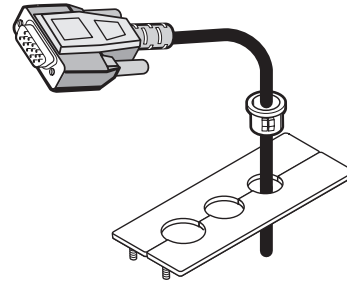
2. Cable the AAPs

- a. Remove a segment of a set of split AAPs by unscrewing the nuts on the underside of the shelf.
- b. Thread the cables through the half-moon cutouts of the pass-through AAP segment mounted to the shelf bracket (see 2b).
- c. Secure the remaining pass-through AAP segment to the shelf bracket with the provided #4-40 nuts.



3. Install Any Necessary Split Grommets and Hole Plugs

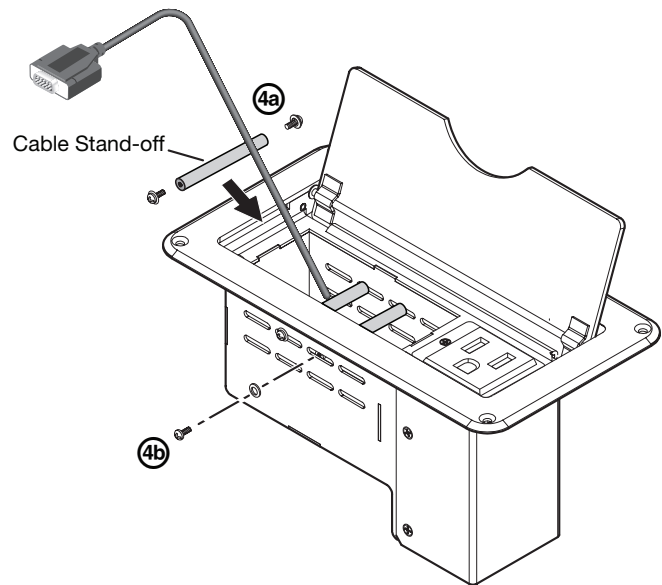
- a. Slip the appropriate split grommet over each cable with the flange of the grommet toward the connector that will be accessible inside the Cable Cubby. Snap the grommets into the channels.
- b. If necessary, snap the included hole plugs into unused holes.



4. Adjust the Cable Position

The Cable Cubby 200 has four cable stand-offs that set the height of the cables inside the enclosure.

- a. Choose the row that best lifts the cable connectors off the cable pass-through AAP and still allows the lid to be closed.
- b. Insert the stand-off into the Cable Cubby and align the ends with opposing horizontal slots in the side of the enclosure.
- c. Loosely install the Phillips head screws and washers so the stand-offs remain attached, but can be easily adjusted within the slots.
- d. Install a second stand-off next to the first stand-off, in accordance with steps **4a**, **4b**, and **4c**.
- e. Slide the stand-offs back and forth in the horizontal slots to position them so that the cables easily rise and lower but do not fall below the stand-offs.
- f. Tighten the Phillips head screws of the stand-offs to lock them into position.
- g. Repeat steps **4a** through **4f** until all the cable connectors have been accompanied with stand-offs.



5. Install Optional Passive AAPs

The pass-through AAPs can be replaced with Extron passive AAPs.

- a. Unscrew the nuts on the underside of the shelf that fasten the set of pass-through AAPs to the enclosure.
- b. Connect cables to the rear of the AAPs to be installed before attaching it to the enclosure.
- c. Insert the screws of the AAPs through the holes in the shelf. Secure the AAPs to the shelf with the provided captive washers and #4-40 nuts.

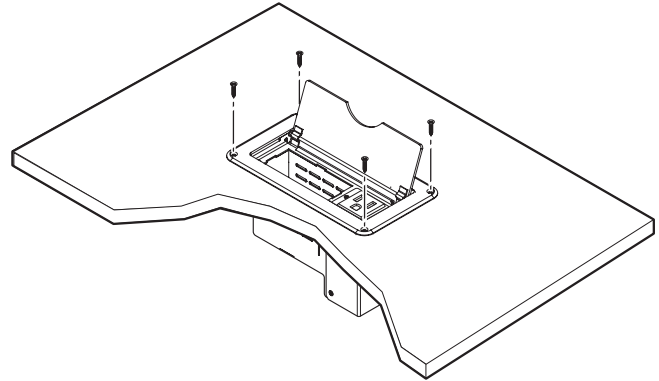
Mounting the Cable Cubby

ATTENTION: Potential damage to property. The flanged edges of the top of the surface enclosure are sharp and soft, making them easy to nick or bend. Handle the enclosure with care to prevent personal injury and to avoid damaging the enclosure.

1. Test the Fit

- a. Remove the plastic strips on finished surfaces of the Cable Cubby.

ATTENTION: Potential damage to property. Do not use isopropyl alcohol or other solvents to clean the Cable Cubby. Strong solvents will ruin some finishes.



- b. Carefully lower the Cable Cubby into the hole to test the fit. If necessary, remove the enclosure and carefully enlarge the opening.

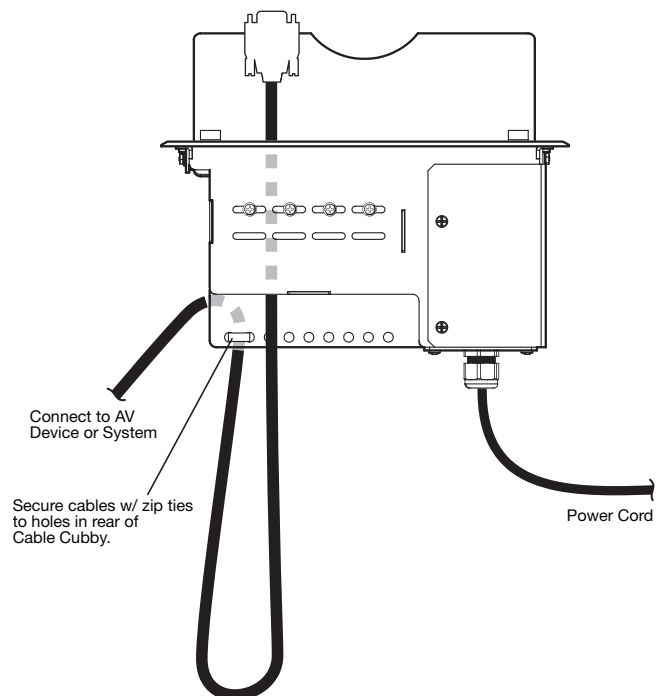
2. Fasten the Cable Cubby to the Table

- a. Drill 1/8 inch (3 mm) pilot holes 1/2 inch (12 mm) deep into the table using the mounting holes at each of the four corners of the unit.
- b. Use the four included 6-32 x 1/2 inch screws to fasten the Cable Cubby to the table.

3. Dress the Cables

- a. Under the table, dress the cables to prevent snags or tangles. Allow at least 36 inches (0.9 m) of cable loop for each cable and secure the cables behind the flange on the underside of the unit.
- b. Connect cables to the AV system and connect the AC power cord.

NOTE: The Extron Cable Retractor provides a convenient way to dress cables (see www.extron.com for Cable Retractor part numbers).



Reference Information

This section provides part numbers for the Cable Cubby 200 and related products. Visit the Extron website, www.extron.com, for more details and part numbers. Topics in this section include:

- [Enclosure Part Numbers](#)
- [Included Accessories Part Numbers](#)
- [Routing Template Part Numbers](#)
- [Top Plate Dimensions](#)

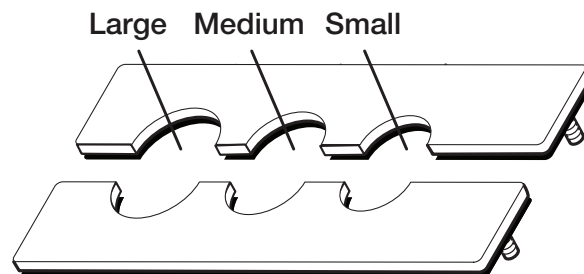
Enclosure Part Numbers

Cable Cubby 200	Part Number
Cable Cubby 200 - One US/domestic AC	60-716-0A
Cable Cubby 200 - One Universal AC	60-716-0J
Cable Cubby 200 - One EU AC	60-716-0D
Cable Cubby 200 - One AUS AC	60-716-0F
Cable Cubby 200 - One France AC	60-716-0E

NOTES: All Cable Cubby 200 models are available in a black powder coat finish only.

Included Accessories Part Numbers

The Cable Cubby includes the *Cable Cubby 200 Setup Guide*, the cable pass-through AAPs (see [figure 2](#)), grommets, and hole plugs:



Cable Hole	Hole Size	Grommet Size
Large	0.625" (1.59 cm)	0.453" (1.15 cm)
Medium	0.562" (1.43 cm)	0.390" (0.99 cm)
Small	0.500" (1.27 cm)	0.312" (0.79 cm)

Figure 2. Included Cable Pass-through AAPs

Cable Pass-through AAPs (see figure 2)	Part Numbers
Cable pass-through (right)	70-267-01
Cable pass-through (left)	70-270-01

Grommet and Plug Kit	Part Numbers
Grommet and hole plug kit	70-387-01

Routing Template Part Numbers

The Cable Cubby 200 metal routing template (see [figure 3](#)) is the only **preferred** and **recommended** method for cutting the table. It is available on the Extron website, www.extron.com.

Template	Part Numbers
Cable Cubby 200 Routing Template	70-384-01

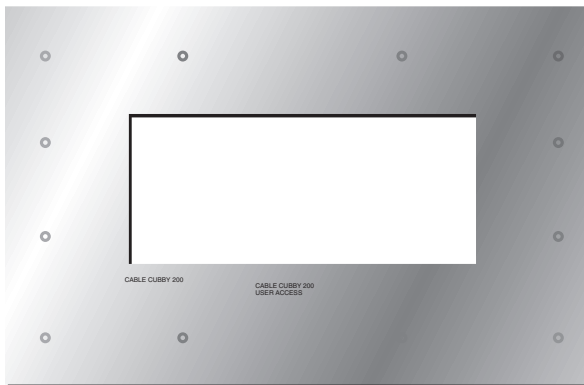


Figure 3. CC 200 Metal Routing Template

Top Plate Dimensions

If you choose not to use the Extron metal routing template, the paper cut-out template will help you properly prepare the mounting surface (see [figure 4](#)). The cutout template is not to scale and is **for reference only**. For full size paper templates, visit the Extron website (www.extron.com) or call the Extron S3 Sales and Technical Support Hotline.

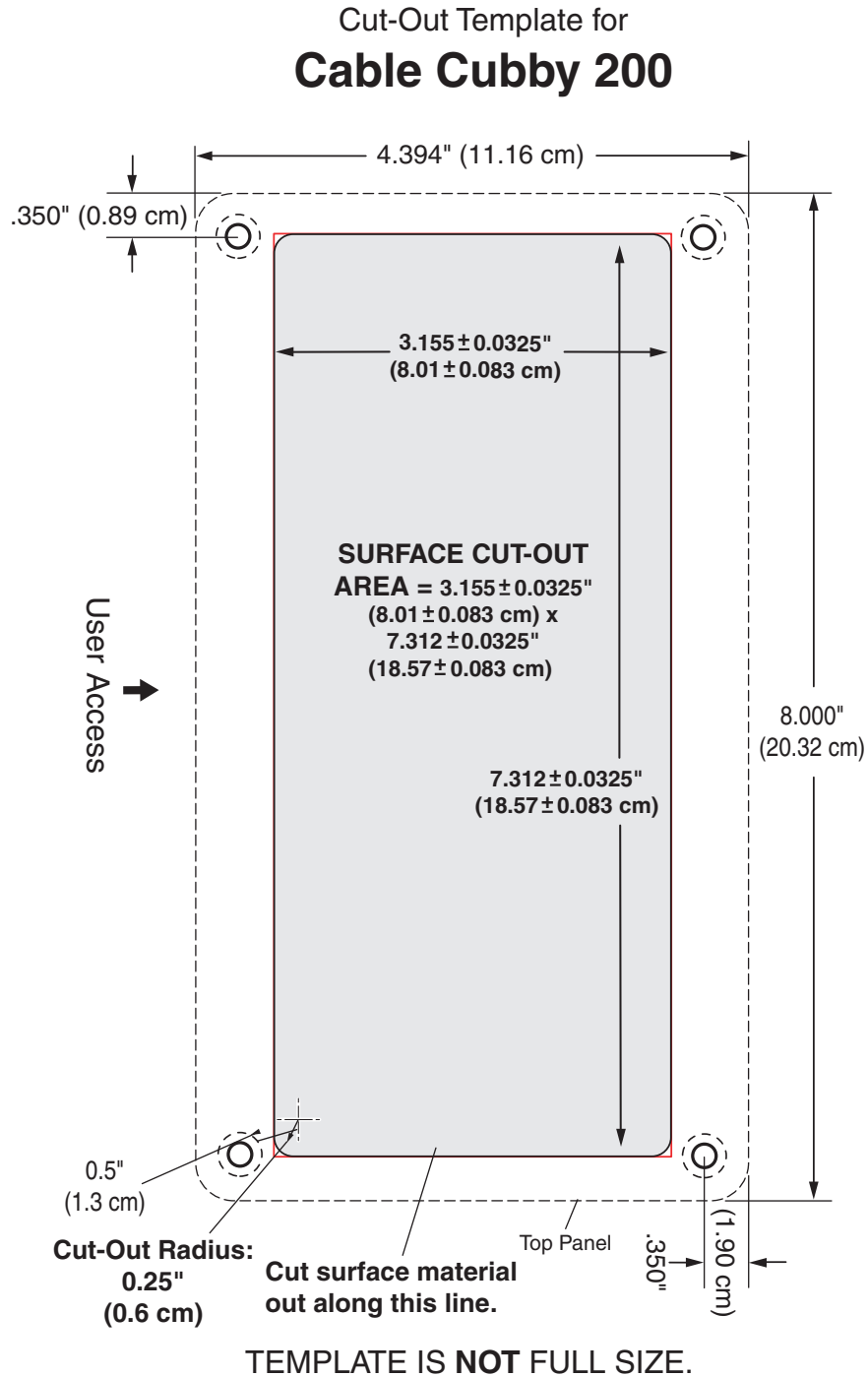


Figure 4. Cable Cubby 200 Reference Information

Extron Warranty

Extron Electronics warrants this product against defects in materials and workmanship for a period of three years from the date of purchase. In the event of malfunction during the warranty period attributable directly to faulty workmanship and/or materials, Extron Electronics will, at its option, repair or replace said products or components, to whatever extent it shall deem necessary to restore said product to proper operating condition, provided that it is returned within the warranty period, with proof of purchase and description of malfunction to:

USA, Canada, South America, and Central America:

Extron Electronics
1001 East Ball Road
Anaheim, CA 92805
U.S.A.

Japan:

Extron Electronics, Japan
Kyodo Building, 16 Ichibancho
Chiyoda-ku, Tokyo 102-0082
Japan

Europe and Africa:

Extron Europe
Hanzeboulevard 10
3825 PH Amersfoort
The Netherlands

China:

Extron China
686 Ronghua Road
Songjiang District
Shanghai 201611
China

Asia:

Extron Asia
135 Joo Seng Road, #04-01
PM Industrial Bldg.
Singapore 368363
Singapore

Middle East:

Extron Middle East
Dubai Airport Free Zone
F12, PO Box 293666
United Arab Emirates, Dubai

This Limited Warranty does not apply if the fault has been caused by misuse, improper handling care, electrical or mechanical abuse, abnormal operating conditions, or if modifications were made to the product that were not authorized by Extron.

NOTE: If a product is defective, please call Extron and ask for an Application Engineer to receive an RA (Return Authorization) number. This will begin the repair process.

USA: 714.491.1500 or 800.633.9876

Europe: 31.33.453.4040

Asia: 65.6383.4400

Japan: 81.3.3511.7655

Units must be returned insured, with shipping charges prepaid. If not insured, you assume the risk of loss or damage during shipment. Returned units must include the serial number and a description of the problem, as well as the name of the person to contact in case there are any questions.

Extron Electronics makes no further warranties either expressed or implied with respect to the product and its quality, performance, merchantability, or fitness for any particular use. In no event will Extron Electronics be liable for direct, indirect, or consequential damages resulting from any defect in this product even if Extron Electronics has been advised of such damage.

Please note that laws vary from state to state and country to country, and that some provisions of this warranty may not apply to you.

Extron Headquarters +1.800.633.9876 (Inside USA/Canada Only) Extron USA - West +1.714.491.1500 +1.714.491.1517 FAX	Extron Europe +800.3987.6673 (Inside Europe Only) +31.33.453.4040 +31.33.453.4050 FAX	Extron Asia +800.7339.8766 (Inside Asia Only) +65.6383.4400 +65.6383.4664 FAX	Extron Japan +81.3.3511.7655 +81.3.3511.7656 FAX	Extron China +4000.398766 Inside China Only +86.21.3760.1568 +86.21.3760.1566 FAX	Extron Middle East +971.4.2991800 +971.4.2991880 FAX	Extron Korea +82.2.3444.1571 +82.2.3444.1575 FAX	Extron India 1800.3070.3777 Inside India Only +91.80.3055.3777 +91.80.3055.3737 FAX
---	---	---	---	--	---	---	--