

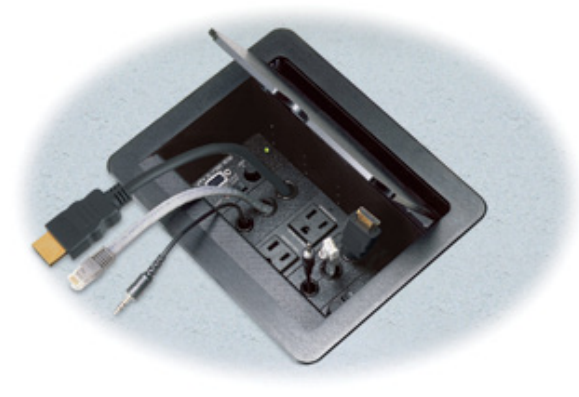
**Cable Cubby® 300C**

**Cable Cubby® 300S**

**Cable Cubby® 600**

**Cable Cubby® 800**

Cable Access Enclosures



# Safety Instructions

## Safety Instructions • English

**WARNING:** This symbol, ⚠, when used on the product, is intended to alert the user of the presence of uninsulated dangerous voltage within the product's enclosure that may present a risk of electric shock.

**ATTENTION:** This symbol, ⚠, when used on the product, is intended to alert the user of important operating and maintenance (servicing) instructions in the literature provided with the equipment.

For information on safety guidelines, regulatory compliances, EMI/EMF compatibility, accessibility, and related topics, see the Extron Safety and Regulatory Compliance Guide, part number 68-290-01, on the Extron website, [www.extron.com](http://www.extron.com).

## Instructions de sécurité • Français

**AVERTISSEMENT:** Ce pictogramme, ⚠, lorsqu'il est utilisé sur le produit, signale à l'utilisateur la présence à l'intérieur du boîtier du produit d'une tension électrique dangereuse susceptible de provoquer un choc électrique.

**ATTENTION:** Ce pictogramme, ⚠, lorsqu'il est utilisé sur le produit, signale à l'utilisateur des instructions d'utilisation ou de maintenance importantes qui se trouvent dans la documentation fournie avec le matériel.

Pour en savoir plus sur les règles de sécurité, la conformité à la réglementation, la compatibilité EMI/EMF, l'accessibilité, et autres sujets connexes, lisez les informations de sécurité et de conformité Extron, réf. 68-290-01, sur le site Extron, [www.extron.fr](http://www.extron.fr).

## Sicherheitsanweisungen • Deutsch

**WARNUNG:** Dieses Symbol ⚠ auf dem Produkt soll den Benutzer darauf aufmerksam machen, dass im Inneren des Gehäuses dieses Produktes gefährliche Spannungen herrschen, die nicht isoliert sind und die einen elektrischen Schlag verursachen können.

**VORSICHT:** Dieses Symbol ⚠ auf dem Produkt soll dem Benutzer in der im Lieferumfang enthaltenen Dokumentation besonders wichtige Hinweise zur Bedienung und Wartung (Instandhaltung) geben.

Weitere Informationen über die Sicherheitsrichtlinien, Produkthandhabung, EMI/EMF-Kompatibilität, Zugänglichkeit und verwandte Themen finden Sie in den Extron-Richtlinien für Sicherheit und Handhabung (Artikelnummer 68-290-01) auf der Extron-Website, [www.extron.de](http://www.extron.de).

## Instrucciones de seguridad • Español

**ADVERTENCIA:** Este símbolo, ⚠, cuando se utiliza en el producto, avisa al usuario de la presencia de voltaje peligroso sin aislar dentro del producto, lo que puede representar un riesgo de descarga eléctrica.

**ATENCIÓN:** Este símbolo, ⚠, cuando se utiliza en el producto, avisa al usuario de la presencia de importantes instrucciones de uso y mantenimiento recogidas en la documentación proporcionada con el equipo.

Para obtener información sobre directrices de seguridad, cumplimiento de normativas, compatibilidad electromagnética, accesibilidad y temas relacionados, consulte la Guía de cumplimiento de normativas y seguridad de Extron, referencia 68-290-01, en el sitio Web de Extron, [www.extron.es](http://www.extron.es).

## Chinese Simplified (简体中文)

**警告:** ⚠ 产品上的这个标志意在警告用户该产品机壳内有暴露的危险电压, 有触电危险。

**注意:** ⚠ 产品上的这个标志意在提示用户设备随附的用户手册中有重要的操作和维护(维修)说明。

关于我们产品的安全指南、遵循的规范、EMI/EMF 的兼容性、无障碍使用的特性等相关内容, 敬请访问 Extron 网站 [www.extron.com](http://www.extron.com), 参见 Extron 安全规范指南, 产品编号 68-290-01。

## Chinese Traditional (繁體中文)

**警告:** ⚠ 若產品上使用此符號, 是為了提醒使用者, 產品機殼內存在著可能會導致觸電之風險的未絕緣危險電壓。

**注意:** ⚠ 若產品上使用此符號, 是為了提醒使用者。

有關安全性指導方針、法規遵守、EMI/EMF 相容性、存取範圍和相關主題的詳細資訊, 請瀏覽 Extron 網站: [www.extron.com](http://www.extron.com), 然後參閱《Extron 安全性與法規遵守手冊》, 準則編號 68-290-01。

## Japanese

**警告:** この記号 ⚠ が製品上に表示されている場合は、筐体内に絶緣されていらない高電圧が流れ、感電の危険があることを示しています。

**注意:** この記号 ⚠ が製品上に表示されている場合は、本機の取扱説明書に記載されている重要な操作と保守(整備)の指示についてユーザーの注意を喚起するものです。

安全上のご注意、法令遵守、EMI/EMF適合性、その他の関連項目については、エクストロンのウェブサイト[www.extron.com](http://www.extron.com)より『Extron Safety and Regulatory Compliance Guide』(P/N 68-290-01)をご覧ください。

## Korean

**경고:** 이 기호 ⚠, 가 제품에 사용될 경우, 제품의 인클로저 내에 있는 접지되지 않은 위험한 전류로 인해 사용자가 감전될 위험이 있음을 경고합니다.

**주의:** 이 기호 ⚠, 가 제품에 사용될 경우, 장비와 함께 제공된 책자에 나와 있는 주요 운영 및 유지보수(정비) 지침을 경고합니다.

안전 가이드라인, 규제 준수, EMI/EMF 호환성, 접근성, 그리고 관련 항목에 대한 자세한 내용은 Extron 웹 사이트([www.extron.com](http://www.extron.com))의 Extron 안전 및 규제 준수 안내서, 68-290-01 조항을 참조하십시오.

## Conventions Used in this Guide

### The following notifications are used:

**CAUTION:** A caution indicates a situation that may result in minor injury.

**ATTENTION:** Attention indicates a situation that may damage or destroy the product or associated equipment.

**NOTE:** A note draws attention to important information.

### Specifications Availability:

Product specifications are available on the Extron website, [www.extron.com](http://www.extron.com).

### Copyright

© 2012 Extron Electronics. All rights reserved.

### Trademarks

All trademarks mentioned in this guide are the properties of their respective owners.



# Contents

---

<b>Introduction.....</b>	<b>1</b>
About the Cable Cubby 300, 600, and 800 .....	1
Features .....	3

---

<b>Installation.....</b>	<b>4</b>
Installation Overview .....	4
Preparing the Routing Template.....	4
Preparing the Table.....	5
Preparing the Table with a Router .....	6
Preparing the Table with a Hole Saw (Cable Cubby 300C only).....	7
Installing the Cables and AAPs .....	7
AAP Shelf Brackets .....	7
Installing the Power Module .....	8
Installing the Cables.....	9
Installing the AAPs.....	10
Installing the Shelf Assembly.....	10
Mounting the Cable Cubby.....	10

---

<b>Maintenance and Modifications .....</b>	<b>12</b>
Removing and Replacing the Cable Cubby.....	12
Replacing Cables or an AAP.....	14
Adding an Additional Power Module (CC 600 and CC 800).....	14

---

<b>Reference Information .....</b>	<b>18</b>
Cable Cubby Part Numbers.....	18
Included Parts .....	19
Replacement/Modification Part Numbers.....	19
Routing Template Part Numbers .....	19
Top Plate Dimensions .....	20

---

**Extron Warranty**

# Introduction

This section covers the following topics:

- [About the Cable Cubby® 300, 600, and 800](#)
- [Features](#)

## About the Cable Cubby 300, 600, and 800

Extron Cable Cubby products are furniture-mounted, architectural solutions that provide inconspicuous cable access and connection points. When cables are not in use, they can be stored out of the way while remaining connected to the presentation system.

Most US/domestic Cable Cubby models provide two unswitched USA AC power outlets. For international markets, several different types of power receptacles are available, including universal, UK, French, Australian, and European receptacles.

**NOTE:** The universal AC outlet is fully compatible with various plug types. See the *Universal AC Outlet Compatibility Guide* on the Extron website, [www.extron.com](http://www.extron.com), for compatibility details on all plug types.

The four different sizes of Cable Cubby provide room for the indicated number of Architectural Adapter Plates (AAPs):

- **Cable Cubby 800 USA/domestic model** — Eight single space (single height) AAPs
- **Cable Cubby 800 (AC module optional)** — Ten single space (single height) AAPs
- **Cable Cubby 600 USA/domestic model** — Six single space AAPs
- **Cable Cubby 600 (AC module optional)** — Eight single space AAPs
- **Cable Cubby 300 USA/domestic model** — Three single space AAPs
  - **Cable Cubby 300S** — Square cover (see [figure 1](#))
  - **Cable Cubby 300C** — Circular (round) cover
- **Cable Cubby 300 (AC module optional)** — Five single-space AAPs
  - **Cable Cubby 300S** — Square cover
  - **Cable Cubby 300C** — Circular (round) cover

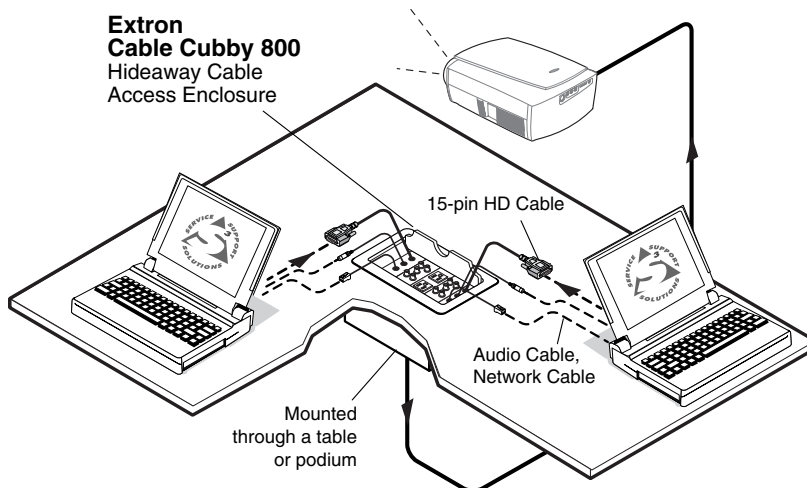


**Figure 1. Cable Cubby 300S US/domestic Enclosure**

The AAP spaces inside the Cable Cubby allow you to customize the enclosure to meet your unique needs. The split AAPs (included) can store almost any type of cable you might encounter. The Extron line of passive AAPs allows you to customize the AAP with almost any kind of pass-through connectivity you may need.

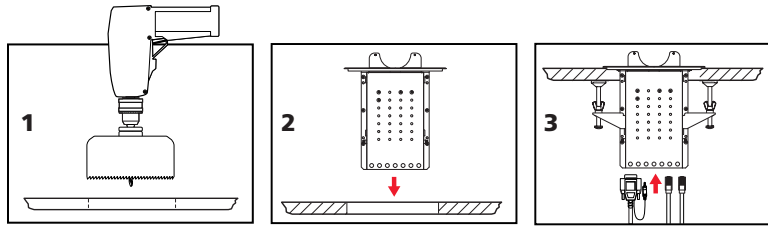
The elevation of the AAPs inside the cubby and the arrangement of the AAPs and the power outlets are adjustable to suit cable lengths and connector types.

The installed Cable Cubby fits nearly flush within a table or podium top, storing the AAPs and cables out of the way and out of sight. To access the AAPs and connectors, lift the lid (see figure 2). Half-moon cutouts in the lid allow you to run cables in or out and then close the lid. The lid can also be lowered into its recessed position.



**Figure 2. Typical Cable Cubby 800 Application**

The Cable Cubby 300 is available with either a round or a rectangular top. The other Cable Cubby models all have rectangular tops only. Preparing the table to install a Cable Cubby 300C (round) requires drilling a hole in the table with a 6-inch hole saw (see figure 3). Preparing the table to install a square cubby requires routing a square hole in the table top. Sheet metal routing templates are available (see “[Routing Template Part Numbers](#)” on page 19 for part numbers).



**Figure 3. Cable Cubby 300C Mounting**

## Features

- Easy access to cables and AAPs
- Compatible with several available AAP modules
- Optional retractor available
- Compact size
- Flexible installation of Extron passive AAPs
- Available universal AC outlet is compatible with a variety of AC plug types
- UL/c-UL listed and CE compliant
- Fits in a range of surface thicknesses. See the table below:

Enclosure	Minimum Table Thickness	Maximum Table Thickness
Cable Cubby 300	0.571 inch ( $\approx 19/32$ inch) [14.5 mm]	3.23 inch ( $\approx 3-1/4$ inch) [82.0 mm]
Cable Cubby 600	0.75 inch (3/4 inch) [19.05 mm]	3.41 inch ( $\approx 3-13/32$ inch) [86.6 mm]
Cable Cubby 800	0.75 inch (3/4 inch) [19.05 mm]	3.41 inch ( $\approx 3-13/32$ inch) [86.6 mm]

# Installation

This section covers the following topics:

- [Installation Overview](#)
- [Preparing the Routing Template](#)
- [Preparing the Table](#)
- [Installing the Cables and AAPs](#)
- [Mounting the Cable Cubby](#)

## Installation Overview

Install and set up the Cable Cubby enclosures as follows:

1. If you plan to use a mounting template that has not been prepared, prepare the template (see [“Preparing the Routing Template”](#) below).
2. Cut a hole in the surface where the enclosure will be installed (see [“Preparing the Table”](#) on the next page).
3. Run all cables necessary to support the AC connector, the cables stored in the cubby, and all planned AAP connectors. Leave enough slack in the cables to connect or route them before the cubby is installed in the table.
4. If applicable, install the power module. If your location requires electrical conduit, install an Extron flexible conduit kit. Refer to the *Flexible Conduit Kit Installation Guide*, Extron part number **68-734-01**.
5. Install all desired cables into the cable pass-through (split) AAPs and install the AAPs into the Cable Cubby (see [“Installing the Cables and AAPs”](#) on page **7**).
6. If applicable, connect cables to the rear connectors on the passive AAPs and install the AAPs in the cubby (see [“Installing the AAPs”](#) on page **10**).
7. Mount the Cable Cubby in the table (see [“Mounting the Cable Cubby”](#) on page **10**).
8. Peel the protective film from the top surface.
9. Connect the Cable Cubby power cord.

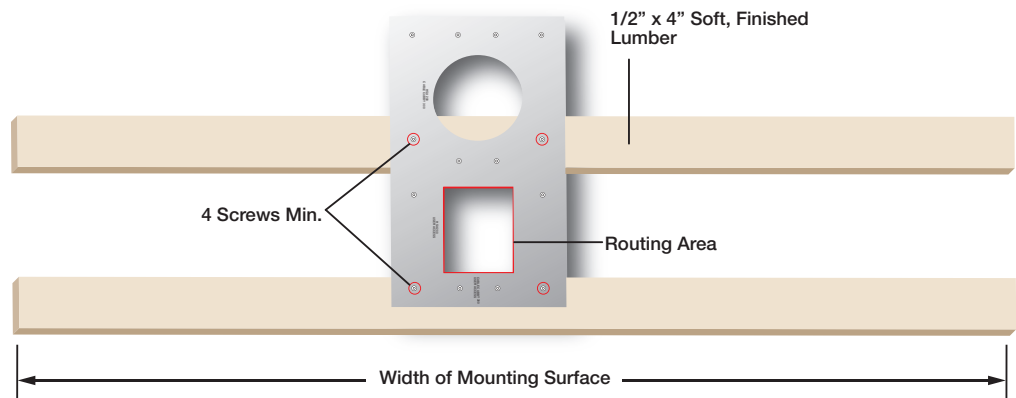
## Preparing the Routing Template

Extron offers metal templates for each Cable Cubby model; see [“Routing Template Part Numbers”](#) on page **19** for part numbers. Extron recommends using this template as a guide to cut the hole in the table where the cubby will be installed.

**NOTE:** The metal routing template is reusable. Do not discard this template when the installation is complete. Save it for installing Cable Cubby models of the same size.

1. Cut 1/2 inch x 4 inch strips of soft, finished lumber to a length that is long enough to span the distance between the desired installation location on the mounting surface and the edges of the mounting surface (see [figure 4](#)).

These strips raise the routing template above the mounting surface to provide room for the collar of the router, protect the mounting surface, and extend the reach of the routing template so that it can be clamped to the edge of the surface.



**Figure 4. Preparing the CC 300 Mounting Template**

- Using four or more short wood screws, secure the mounting template to the lumber strips.

**ATTENTION: Potential damage to property.** Do not allow the wood screws to protrude through the bottom of the wooden strips. Protruding screws will scratch the table when the template is used.

## Preparing the Table

The preferred and recommended method for preparing the table for square Cable Cubby models is to use the appropriate Extron routing template and a router.

For the Cable Cubby 300C, you may use the routing template and a router or use a 6-inch hole saw.

**ATTENTION: Potential damage to property.** The opening in the table for the Cable Cubby should be cut only by licensed and bonded craftspeople. Exercise care to prevent scarring or damaging the furniture.

**ATTENTION: Potential damage to property.** The surfaces of the Cable Cubby enclosure have screws and other protruding hardware that could damage fine furniture. Do not rest the enclosure on unprotected furniture.

Alternatively, for any model, you can use a paper cut-out template (see [“Top Plate Dimensions”](#) on page 20) and a sabre saw or keyhole saw. However, this method is not recommended.

## Preparing the Table with a Router

Prepare the table with a router as follows:

**ATTENTION: Potential damage to property.** The routing templates for the various Cable Cubby models are not interchangeable. If you use the wrong template, you will cut an improperly sized hole. If you use a larger template than required, the cut will result in gaps in the table surface on either side of the enclosure.

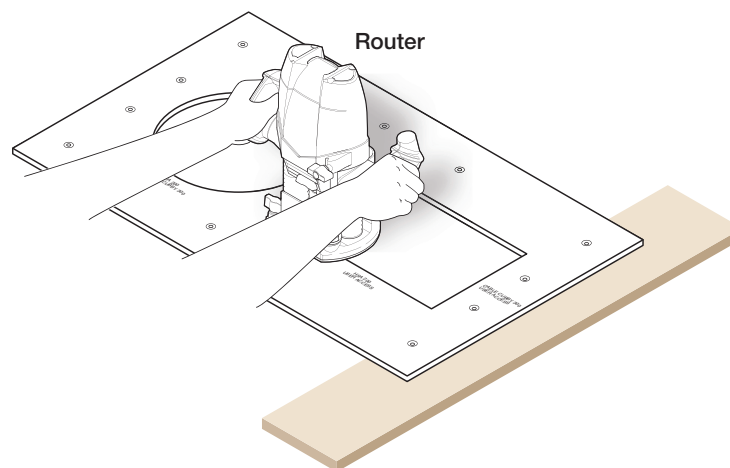
**ATTENTION: Potential damage to property.** Ensure that only the wooden strips on the routing template contact the furniture. Failure to do so may scratch the furniture.

**NOTE:** The metal routing template is reusable. Do not discard the template when the installation is complete. Save it for installing other Cable Cubby models of the same size.

1. Mark the desired mounting location on the tabletop or other installation surface.
2. Place the mounting template assembly on the table, centered on the mounting location. Angle the template for the optimum positioning. If necessary, use a square to ensure that the template is properly positioned. Extron is not responsible for an improperly positioned Cable Cubby.
3. Once the template assembly is positioned properly, secure the assembly to the table with C-clamps.

**CAUTION: Risk of injury to the eyes.** Wear safety glasses when operating the router. Failure to comply can result in eye injury.

4. Using a router with a 5/8 inch (or 16 mm) outside diameter guide bushing and a 1/2 inch (or 12 mm or 12.7 mm) diameter straight router bit, carefully cut the opening in the surface (see figure 5).



**Figure 5. Cutting the Opening with a Router**

5. Remove the C-clamps and the routing template.

## Preparing the Table with a Hole Saw (Cable Cubby 300C Only)

Prepare the table with a hole saw as follows:

1. On the tabletop or other installation surface, mark the 6 inch circle, then find and mark the center of the circle.

**CAUTION: Risk of injury to the eyes.** Wear safety glasses when operating the drill. Failure to comply can result in eye injury.

2. Using a portable drill with a 6-inch (or 152 mm) hole saw, carefully cut the opening in the table surface at the desired location (see figure 6). Extron is not responsible for an improperly positioned Cable Cubby.

**ATTENTION: Potential damage to property.** Use a portable drill with sufficient power to handle the 6-inch hole saw. Exercise caution when handling the drill and hole saw. Take care to protect the mounting surface from damage.

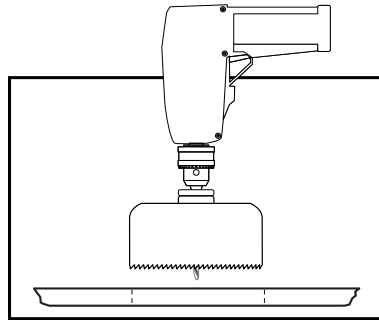


Figure 6. Cutting the Opening with a Hole Saw

## Installing the Cables and AAPs

Each Cable Cubby model ships with one or two moveable AAP shelf assemblies.

### AAP Shelf Brackets

Each shipped AAP shelf assembly consists of a set of shelf brackets and a number of cable pass-through (split) AAPs. Depending on the Cable Cubby model, each set of shelf brackets supports either two-, three-, or four-space AAPs (see figure 7).

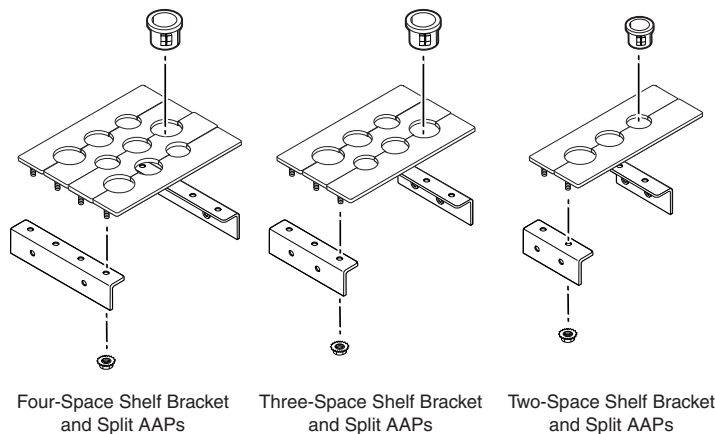


Figure 7. Shelf Brackets

The simplest way to install the cables and AAPs in the Cable Cubby 300, 600, and 800 is to populate the shelf brackets with split or standard AAPs outside the cubby and then install the populated AAP shelf assembly into the cubby.

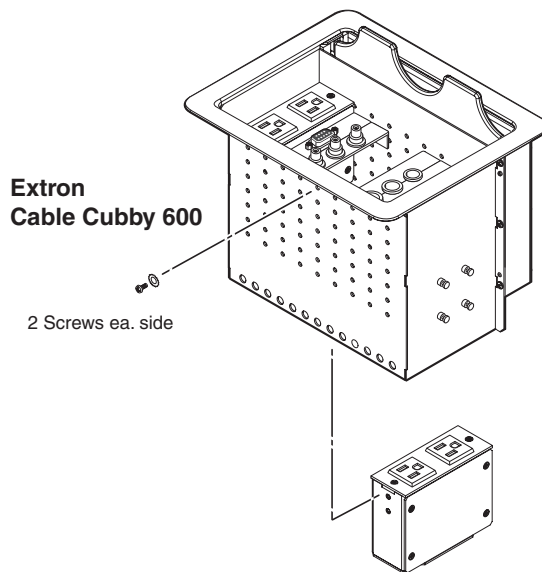
**NOTE:** On US/domestic models, the power module takes up two AAP spaces. Cable pass-through AAPs take two, three, or four AAP spaces. Consider the arrangement of the Cable Cubby AAPs when you install them so that you do not waste AAP space.

## Installing the Power Module

From the underside of the Cable Cubby, gently push the power module into the desired position at the desired elevation. Secure the power module into position with four Phillips head screws (see figure 8).

**NOTE:** The universal AC outlet is fully compatible with various plug types. See the *Universal AC Outlet Compatibility Guide* on the Extron website, [www.extron.com](http://www.extron.com), for compatibility details on all plug types.

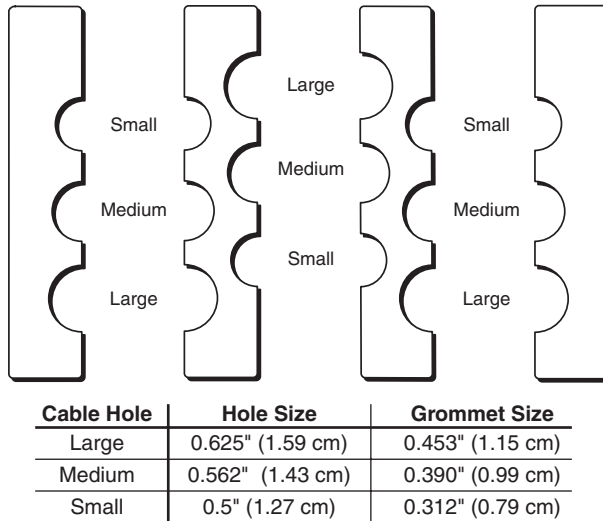
**ATTENTION: Potential damage to property.** To ensure good electrical grounding, use the star washers with the screws.



**Figure 8.** Installing the Power Module

## Installing the Cables

Three half-moon cutouts in each set of cable pass-through (split) AAPs loosely channel three cables in the Cable Cubby. Each channel is padded with a split grommet to prevent cable wear. Each channel and each associated split grommet is a different size (see figure 9).

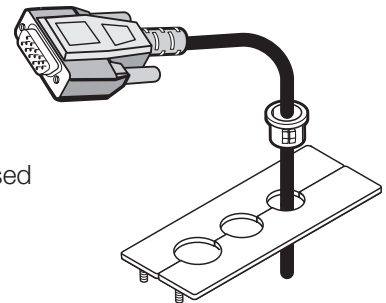


**Figure 9. Cable Pass-through AAPs**

A typical installation consists of a VGA cable, an audio cable, and a network cable. In a typical installation, the VGA cable runs in the largest channel, the network cable runs in the middle (medium) channel, and the audio cable runs in the smaller channel. In a non-standard installation, match the diameter of the cable to the size of the channel as best you can.

Install cables in the channels as follows:

1. Remove a segment of a set of split AAPs by unscrewing the nuts on the underside of the bracket that fastens the plate to the shelf bracket (see [figure 7](#), on page 7).
2. Rest the cables in the half-moon cutouts of the split AAP segment still mounted on the shelf brackets. Place the cables so that the connectors protrude from the front of the split AAP segment.
3. Insert the screws of the split AAP segment that you removed in step 1 through the holes in the shelf bracket. Ensure that the cables are free in the channels that the two split AAP segments form without being pinched where the two segments meet.
4. Secure the split AAP segment to the shelf brackets with the provided captive washers and #4-40 nuts.
5. Slip the appropriate size split grommet over each cable with the flange of the grommet toward the connector that will be accessible inside the Cable Cubby. Snap the grommets into the channels.
6. If applicable, snap the included hole plugs into unused channels in place of the split grommets.



## Installing the AAPs

The split AAPs can be replaced with passive Extron AAPs.

Replace a set of split AAPs as follows:

1. Remove the set of split AAPs to be replaced by unscrewing the nuts on the underside of the shelf bracket that fasten the plates to the bracket (see **figure 7**, on page 7).
2. Cable the AAP(s) before attaching the AAPs to the enclosure.
3. Insert the screws of the AAPs through the holes in the shelf or shelf bracket. Secure the AAPs to the shelf brackets with the provided captive washers and #4-40 nuts.

## Installing the Shelf Assembly

From the underside of the Cable Cubby, gently push the AAP shelf assembly into the desired position at the desired elevation. Ensure there is enough space above the AAP assembly for the Cable Cubby lid to close completely. Secure the AAP shelf assembly into position with four Phillips head screws.

**NOTE:** If the AAP shelf assembly does not slide easily into the cubby, loosen the AAP mounting nuts. Retighten the AAP mounting nuts once the AAP shelf assembly is installed in position.

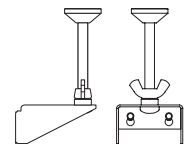
## Mounting the Cable Cubby

**CAUTION: Risk of personal injury.** The flanged edges of the top of the surface enclosure are sharp. Exercise caution when the cubby is not installed in a table to prevent personal injury.

**ATTENTION: Potential damage to property.** The flanged edges of the top of the cubby are bevelled to an ultra-fine thickness of less than 0.04 inch (4/100 inch; approximately 1 mm). These edges are soft and can be easily nicked or bent. Exercise caution when handling and mounting the enclosure. Mishandling can damage the appearance of the enclosure.

1. If screw clamps are installed, remove them from both sides of the enclosure (see **figure 10** on the next page).

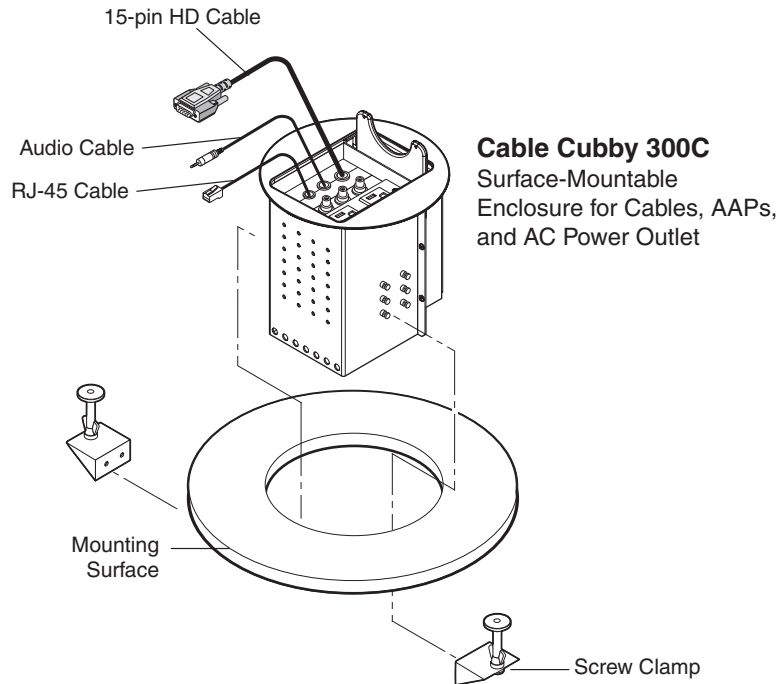
**NOTE:** **Figure 10** shows the installation of a Cable Cubby 300C. Cable Cubby 300S, 600, and 800 installations are similar.



2. Remove the plastic strips that protect the corners of the enclosure and the plastic film on the finished surfaces. If a sticky residue remains, remove it with an appropriate metal cleaning product.

**ATTENTION: Potential damage to property.** Do not use isopropyl alcohol or other solvents to clean the Cable Cubby. Strong solvents will ruin some finishes.

3. Carefully lower the Cable Cubby into the hole to test the fit. If necessary, remove the enclosure and use a file or rasp to enlarge or smooth the edges of the opening (see **figure 10** on the next page).



**Figure 10. Cable Cubby 300C, Installation View**

4. From the underside of the table, reinstall the screw clamps on the enclosure at a height at which the clamp will reach the underside of the tabletop.

**ATTENTION: Potential damage to property.** Do not overtighten the Phillips head screws on the screw clamps. Overtightening can bend the horizontal flange of the screw clamp.

5. Snugly tighten the Phillips head screws on the screw clamps to secure the enclosure to the surface.
6. Tighten the locking thumbscrews on the screw clamps to lock the clamp in position.

# Maintenance and Modifications

This section covers the following topics:

- **Removing and Replacing the Cable Cubby**
- **Replacing Cables or an AAP**
- **Adding an Additional Power Module (CC 600, CC 800)**

The Cable Cubby can be modified after installation to change cables, to replace an AAP, or to add a second power module. These modifications may require removing the cubby from the table.

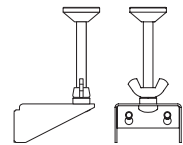
## Removing and Replacing the Cable Cubby

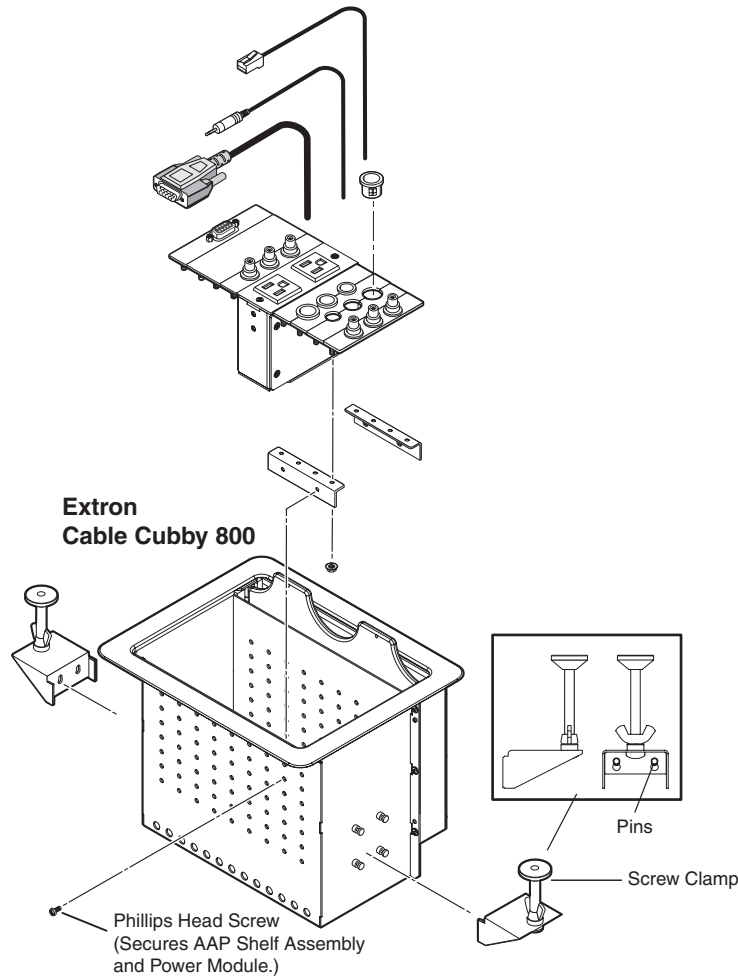
You may need to remove the cubby from the table in which it is mounted to replace cables or AAPs, to adjust the height of the AAP assemblies, or to install a second power module. **Figure 11** on the next page shows removal of the Cable Cubby 300, 600, or 800 from the table and removal of the AAP shelf assembly and power module.

Remove and replace the Cable Cubby for maintenance as follows:

**CAUTION: Risk of electrical shock.** Ensure that AC power is disconnected before servicing the Cable Cubby.

1. Loosen the locking thumbscrews on the screw clamps to unlock the clamp (see **figure 11**).
2. Loosen the screw clamps.
3. Remove the screw clamps on both sides of the enclosure.





**Figure 11. Removing the Cubby and its Shelves**

4. Lift the enclosure from the table.

**CAUTION: Risk of personal injury.** The flanged edges of the top of the surface enclosure are sharp. Exercise caution when the cubby is not installed in a table to prevent personal injury.

**ATTENTION: Potential Damage to Property.** The flanged edges of the top of the cubby are beveled to an ultra-fine thickness of less than 0.04 inch (4/100 inch; approximately 1 mm). These edges are soft and can be easily nicked or bent. Exercise caution when handling and mounting the enclosure. Mishandling can damage the appearance of the enclosure.

5. Remove the AAP shelf assembly(ies) or power module by removing the four Phillips head screws on the front and rear of the Cable Cubby and gently pushing the assembly(ies) out through the top or bottom of the cubby.
6. Perform the desired maintenance procedure.
7. Reinstall the AAP shelf assembly(ies).
8. Carefully lower the Cable Cubby into the hole in the table.
9. From the underside of the table, reinstall the screw clamps on the enclosure at a height at which the clamp will reach the underside of the tabletop.

**ATTENTION: Potential damage to property.** Do not overtighten the Phillips head screws on the screw clamps. Overtightening can bend the horizontal flange of the screw clamp.

10. Snugly tighten the Phillips head screws on the screw clamps to secure the enclosure to the surface.
11. Tighten the locking thumbscrews on the screw clamps to lock the clamp in position.

## Replacing Cables or an AAP

Before you change the cables or replace one or more AAPs inside the cubby, you must remove the AAP shelf assembly from the Cable Cubby. Use the following guidelines as applicable:

1. If the Phillips head screws on the front and rear of the cubby are blocked by the table, remove the cubby from the table. See “[Removing and Replacing the Cable Cubby](#)” steps **1** through **4**, on page **12**.
2. Remove the AAP shelf assembly(ies) by removing the four Phillips head screws on the front and rear of the Cable Cubby and gently pushing the assembly out through the bottom of the cubby.
3. Change the cables and AAPs the same way you installed them. See “[Installing the Cables and AAPs](#)” on page **7**.
4. If you removed the cubby from the table, reinstall the enclosure. See “[Removing and Replacing the Cable Cubby](#),” steps **7** through **10**, on page **13**.

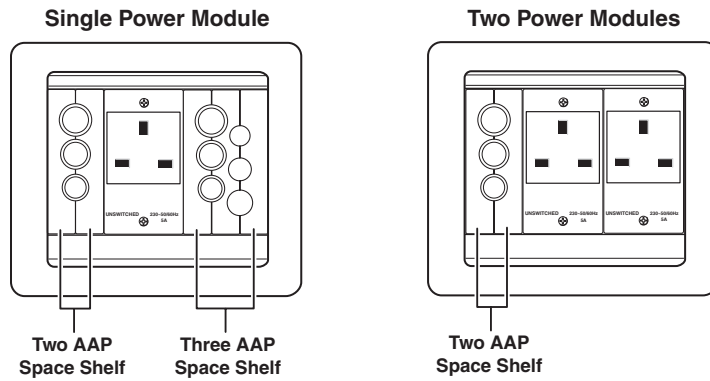
## Adding an Additional Power Module (CC 600 and CC 800)

Each additional USA/domestic power module occupies two AAP spaces, and each international power module (optional) occupies three AAP spaces. Additional power modules reduce the amount of AAP space available in the cubby for cable pass-through (split) or passive AAPs. Use the following guidelines as applicable:

**NOTE:** The universal AC outlet is fully compatible with various plug types. See the *Universal AC Outlet Compatibility Guide* on the Extron website, [www.extron.com](http://www.extron.com), for compatibility details on all plug types.

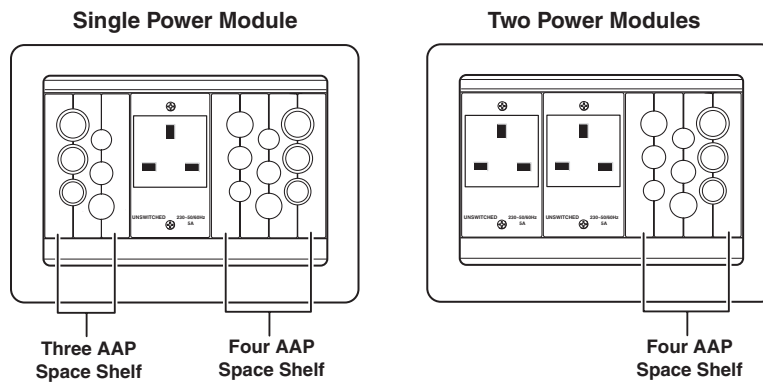
1. Replacement two-space, three-space, and four-space shelf brackets and cable pass-through (split) AAPs are available from Extron, and may be required to maximize the remaining available space if you add a power module.
  - **Cable Cubby 300 models** — Adding a second power module is **not** recommended. With a second power module, there is either room left for only a single one-space AAP or no AAP space left at all (depending on the model).
  - **Cable Cubby 600 and 800 (AC module optional)** — In general, you probably **do not** need replacement shelf brackets when you add an international module to a Cable Cubby with no pre-installed power module. The power module replaces a three-space shelf that is standard in all Cable Cubby models with no pre-installed power module.

**Figure 12** on the next page shows the typical configurations of one and two international power modules installed in a Cable Cubby 600 with no pre-installed power module.



**Figure 12. Cable Cubby 600 with Power Module(s)**

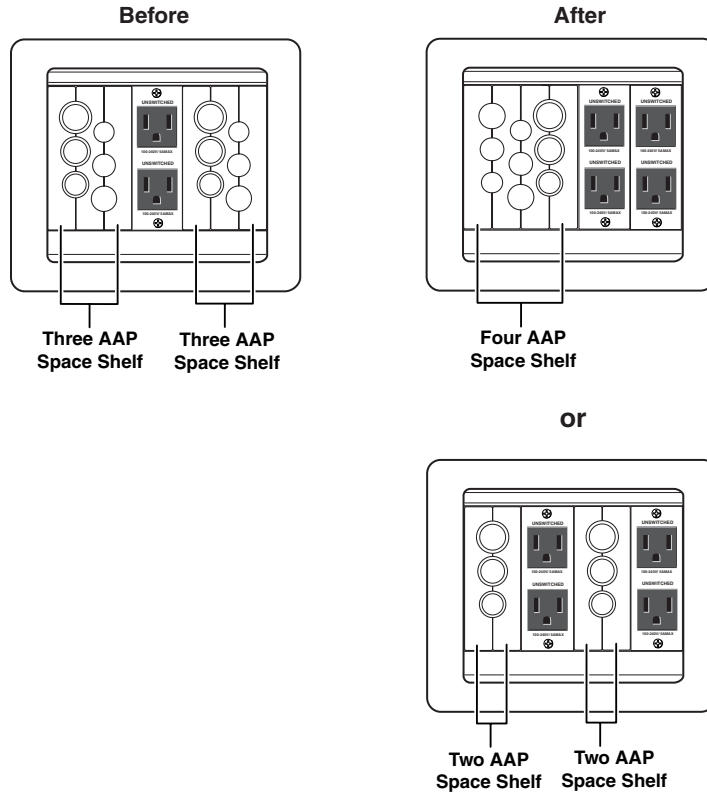
Figure 13 shows the typical configurations of one and two international power modules installed in a Cable Cubby 800 with no pre-installed power module.



**Figure 13. Cable Cubby 800 with Power Module(s)**

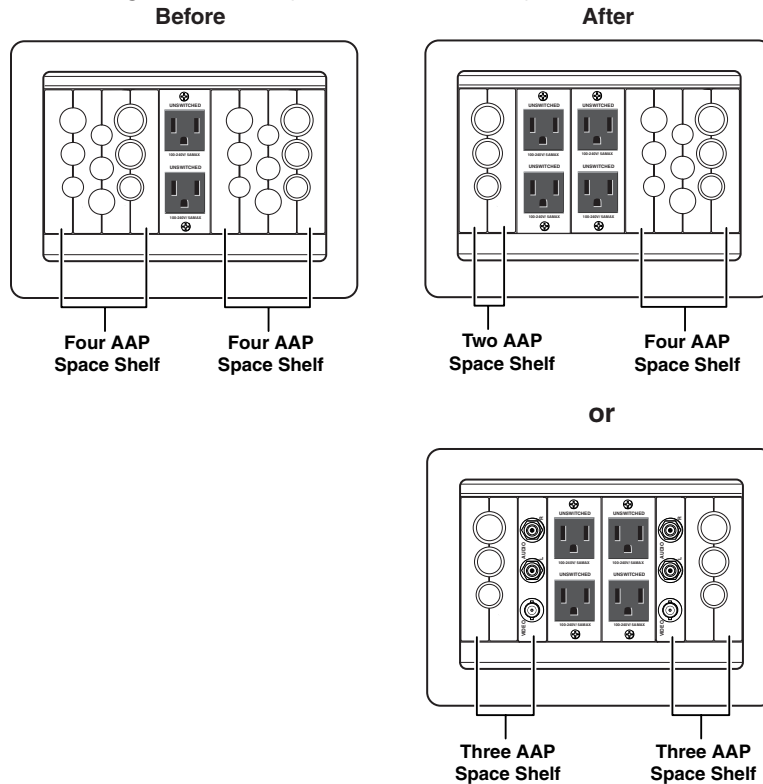
- **Cable Cubby 600 and 800 US/domestic models** — You probably **do** need replacement shelf brackets when you add a US/domestic power module to a US/domestic Cable Cubby. This is because the power module takes up two spaces in a cubby that, in its standard configuration, is equipped with three-space (Cable Cubby 600) or four-space (Cable Cubby 800) shelves.

**Figure 14** on the next page shows typical configurations before and after you add a second US/domestic power module to a US/domestic Cable Cubby 600 and suggests rack shelf configurations to replace the lost shelf space.



**Figure 14. Cable Cubby 600 with Second Power Module**

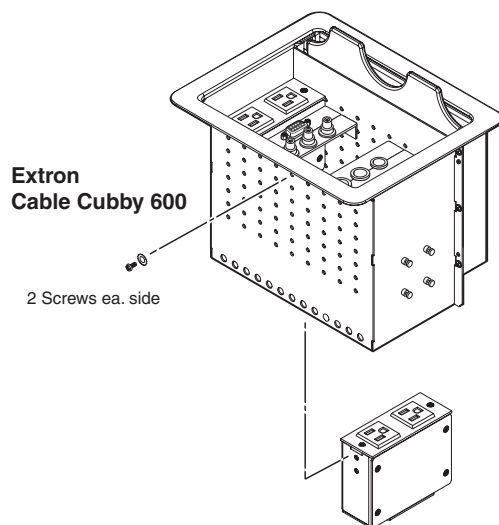
Figure 15 shows typical configurations before and after you add a second US/domestic power module to a US/domestic Cable Cubby 800 and suggests rack shelf configurations to replace the lost shelf space.



**Figure 15. Cable Cubby 800 with Second Power Module**

2. If the Phillips head screws on the front and rear of the cubby are blocked by the table, remove the cubby from the table (see “**Removing and Replacing the Cable Cubby**,” steps 1 through 4, on page 12).
3. Before you add an additional power module, you must make room for the Cable Cubby by eliminating two or three AAP spaces and the AAP shelf brackets that support them. Remove the Phillips head screws on the front and rear of the Cable Cubby and gently push the assembly(ies) out through the bottom of the cubby.
4. From the underside of the Cable Cubby, gently push the additional power module into the desired position at the desired elevation. Secure the power module into position with the four included Phillips head screws (see figure 16).

**ATTENTION: Potential damage to property.** To ensure good electrical grounding, use the star washers with the screws.



**Figure 16. Installing the Power Module**

5. If desired, assemble and install replacement AAP shelf assemblies. Remember that the cable pull function of the Cable Cubby requires at least a two-space AAP (see “**Installing the Cables and AAPs**” on page 7).
6. If you removed the cubby from the table, reinstall the enclosure (see “**Removing and Replacing the Cable Cubby**” steps 7 through 10, on page 13).

# Reference Information

This section covers the following topics:

- [Cable Cubby Part Numbers](#)
- [Included Parts](#)
- [Replacement/Modification Part Numbers](#)
- [Routing Template Part Numbers](#)
- [Top Plate Dimensions](#)

## Cable Cubby Part Numbers

<b>Cable Cubby 300S</b>	<b>Part Number</b>
Cable Cubby 300S US/domestic (black anodized finish)	60-526-01
Cable Cubby 300S (black, AC module optional)	60-712-00
Cable Cubby 300S (brushed aluminum, AC module optional)	60-712-10

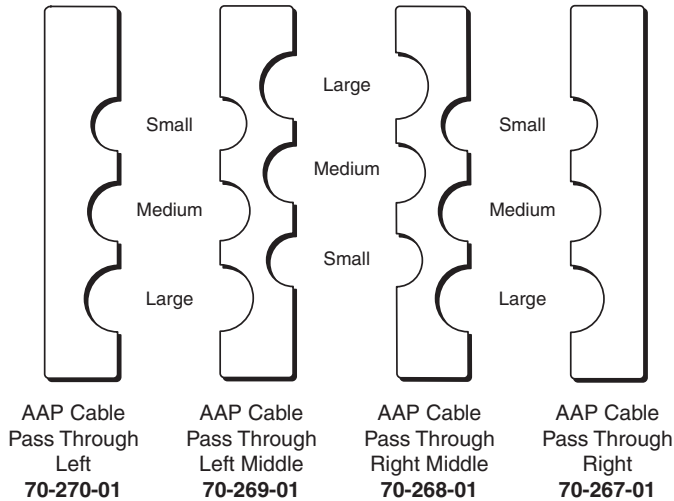
<b>Cable Cubby 300C</b>	<b>Part Number</b>
Cable Cubby 300C/domestic (black anodized finish)	60-527-01
Cable Cubby 300C (black, AC module optional)	60-713-00
Cable Cubby 300C (brushed aluminum, AC module optional)	60-713-10

<b>Cable Cubby 600</b>	<b>Part Number</b>
Cable Cubby 600 US/domestic (black anodized finish)	60-525-01
Cable Cubby 600 (black, AC module optional)	60-714-00
Cable Cubby 600 (brushed aluminum, AC module optional)	60-714-10

<b>Cable Cubby 800</b>	<b>Part Number</b>
Cable Cubby 800 US/domestic (black anodized finish)	60-524-01
Cable Cubby 800 (black, AC module optional)	60-715-00
Cable Cubby 800 (brushed aluminum, AC module optional)	60-715-10

## Included Parts

The Cable Cubby includes the *Cable Cubby Setup Guide* and a selection of shelf brackets, cable pass-through AAPs, grommets, and hole plugs that vary depending on the Cable Cubby model. See the table below for included parts:



Model	AAP Shelf Brackets			Pass-through AAPs*			
	2 Pos.	3 Pos.	4 Pos.	L	L-M	R-M	R
CC 300* US	0	2	0	1	0	1	2
CC 300* (AC module optional)	2	2	0	1	0	0	1
CC 600 US	0	4	0	2	2	2	2
CC 600 (AC module optional)	4	0	2	3	2	1	1
CC 800 US	0	0	4	2	3	3	2
CC 800 (AC module optional)	0	4	2	3	3	2	1

\* L = left, L-M = left middle, R-M = right middle, R = right

\* All CC 300S and CC 300C models have the same AAP configuration

## Replacement/Modification Part Numbers

**NOTE:** See [www.extron.com](http://www.extron.com) for replacement part numbers.

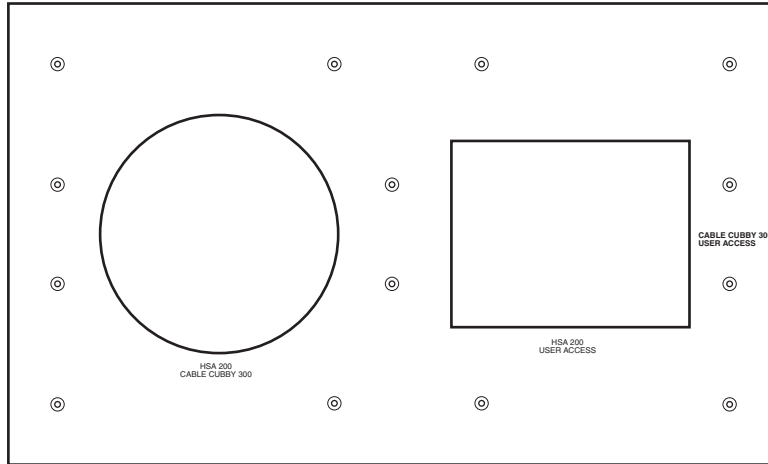
## Routing Template Part Numbers

The following reusable sheet metal routing templates are recommended for installation.

Template	Part Number
Cable Cubby 300S/300C routing template	70-237-01
Cable Cubby 600 routing template	70-239-01
Cable Cubby 800 routing template	70-240-01

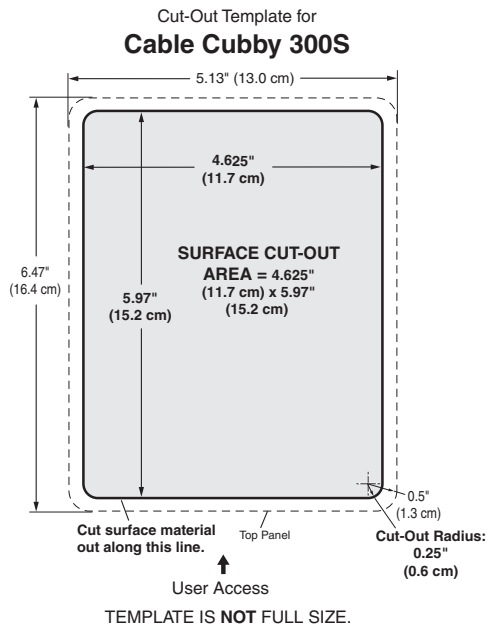
## Top Plate Dimensions

There are two **preferred** and **recommended** methods for cutting the table: using the appropriate metal routing template (see figure **19** below and **Installation** on page **4**), and using a router or a hole saw (Cable Cubby 300C only).

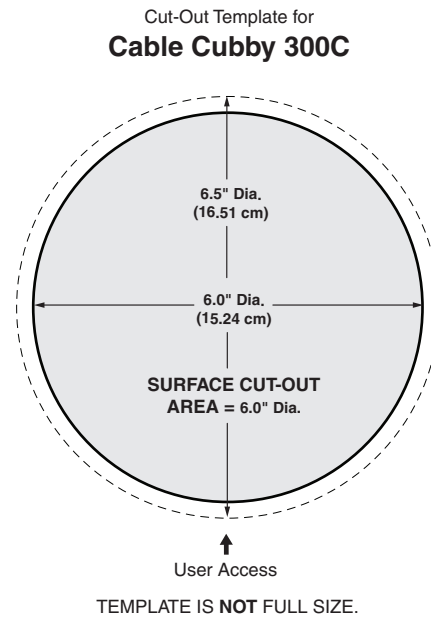


**Figure 17. CC 300S and 300C Metal Routing Template**

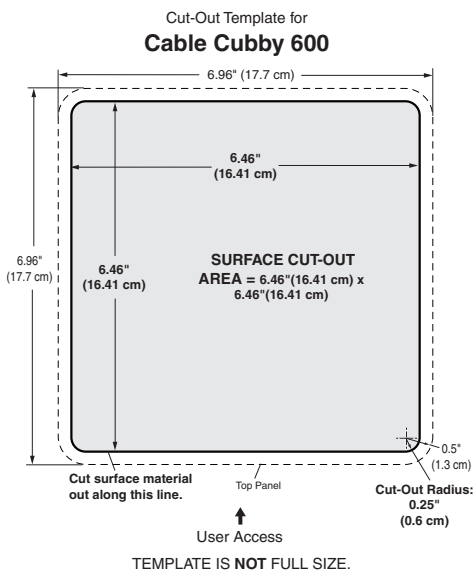
If you choose not to use Extron metal routing templates, the cut-out templates (see **figure 18**, **figure 19**, **figure 20**, and **figure 21** on the next page) will help you prepare the mounting surface. The cut-out templates are **not to scale** and are **for reference only**. For full size paper templates, visit [www.extron.com](http://www.extron.com) or call the Extron S3 Sales and Technical Support Hotline.



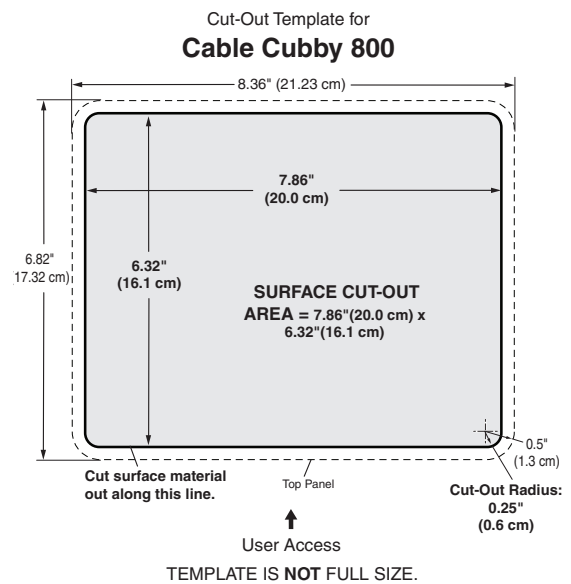
**Figure 18. Cable Cubby 300S Cut-Out Template**



**Figure 19. Cable Cubby 300C Cut-Out Template**



**Figure 20. Cable Cubby 600 Cut-Out Template**



**Figure 21. Cable Cubby 800 Cut-Out Template**

# Extron Warranty

Extron Electronics warrants this product against defects in materials and workmanship for a period of three years from the date of purchase. In the event of malfunction during the warranty period attributable directly to faulty workmanship and/or materials, Extron Electronics will, at its option, repair or replace said products or components, to whatever extent it shall deem necessary to restore said product to proper operating condition, provided that it is returned within the warranty period, with proof of purchase and description of malfunction to:

**USA, Canada, South America  
and Central America:**

Extron Electronics  
1001 East Ball Road  
Anaheim, CA 92805  
U.S.A.

**Japan:**

Extron Electronics, Japan  
Kyodo Building, 16 Ichibancho  
Chiyoda-ku, Tokyo 102-0082  
Japan

**Europe and Africa:**

Extron Europe  
Hanzeboulevard 10  
3825 PH Amersfoort  
The Netherlands

**China:**

Extron China  
686 Ronghua Road  
Songjiang District  
Shanghai 201611  
China

**Asia:**

Extron Asia  
135 Joo Seng Road, #04-01  
PM Industrial Bldg.  
Singapore 368363  
Singapore

**Middle East:**

Extron Middle East  
Dubai Airport Free Zone  
F12, PO Box 293666  
United Arab Emirates, Dubai

This Limited Warranty does not apply if the fault has been caused by misuse, improper handling care, electrical or mechanical abuse, abnormal operating conditions, or if modifications were made to the product that were not authorized by Extron.

**NOTE:** If a product is defective, please call Extron and ask for an Application Engineer to receive an RA (Return Authorization) number. This will begin the repair process.

**USA:** 714.491.1500 or 800.633.9876

**Europe:** 31.33.453.4040

**Asia:** 65.6383.4400

**Japan:** 81.3.3511.7655

Units must be returned insured, with shipping charges prepaid. If not insured, you assume the risk of loss or damage during shipment. Returned units must include the serial number and a description of the problem, as well as the name of the person to contact in case there are any questions.

Extron Electronics makes no further warranties either expressed or implied with respect to the product and its quality, performance, merchantability, or fitness for any particular use. In no event will Extron Electronics be liable for direct, indirect, or consequential damages resulting from any defect in this product even if Extron Electronics has been advised of such damage.

Please note that laws vary from state to state and country to country, and that some provisions of this warranty may not apply to you.

<b>Extron Headquarters</b> +1.800.633.9876 (Inside USA/Canada Only) Extron USA - West +1.714.491.1500 +1.714.491.1517 FAX	<b>Extron USA - East</b> Extron USA - East +1.919.850.1000 +1.919.850.1001 FAX	<b>Extron Europe</b> +800.3987.6673 (Inside Europe Only) +31.33.453.4040 +31.33.453.4050 FAX	<b>Extron Asia</b> +800.7339.8766 (Inside Asia Only) +65.6383.4400 +65.6383.4664 FAX	<b>Extron Japan</b> +81.3.3511.7655 +81.3.3511.7656 FAX	<b>Extron China</b> +4000.398766 Inside China Only +86.21.3760.1568 +86.21.3760.1566 FAX	<b>Extron Middle East</b> +971.4.2991800 +971.4.2991880 FAX	<b>Extron Korea</b> +82.2.3444.1571 +82.2.3444.1575 FAX	<b>Extron India</b> 1800.3070.3777 Inside India Only +91.80.3055.3777 +91.80.3055.3737 FAX
---	---	--	--	---	--	---	---	--