

---

# ZipClip 200 and ZipCaddy 200 Mounting Kit Installation Guide

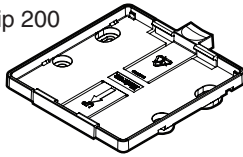
## Getting Started

This manual contains installation instructions for the Extron ZipClip 200 and ZipCaddy 200 Mounting Kit (part #101-001-01). The kit consists of two parts: the ZipClip 200 holster that mounts to the furniture or a rack mount system, and the ZipCaddy 200 Mounting plate that mounts one 1/4 rack or two 3" deep 1/8 rack Extron enclosures. As an option, the ZipCaddy 200 mounting plate may be mounted directly to furniture without the ZipClip 200 holster

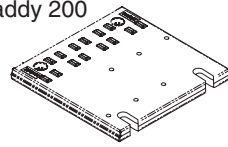
## Included Parts

These parts are included in each ZipClip 200 and ZipCaddy 200 Mounting Kit.

ZipClip 200



ZipCaddy 200



Mounting Self-tapping Screws (4)



Device Screws (4)



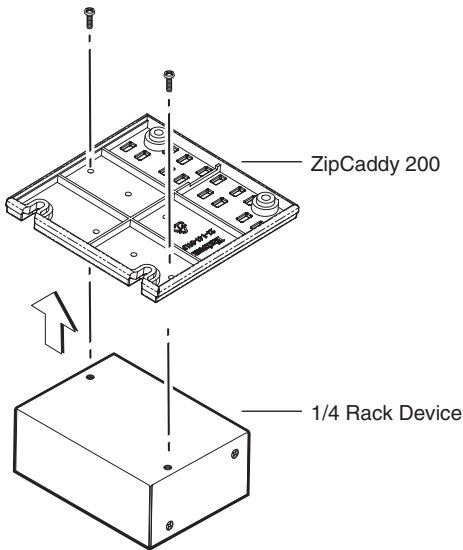
Cable Ties (4)

| Included parts              | Replacement part number |
|-----------------------------|-------------------------|
| (1) ZipClip 200             | 21-103-01LF             |
| (1) ZipCaddy 200            | 21-141-01LF             |
| (4) Cable tie wraps         | 40-007-02LF             |
| (4) Device mounting screws  | 40-206-01LF             |
| (4) ZipClip mounting screws | 40-519-03LF             |
| Installation guide          |                         |

## 1 Attaching Device to the ZipCaddy 200

The ZipCaddy 200 can accommodate up to two 1/8 rack, or a single 1/4 rack, 3" deep product. A single 1/8 rack width product can also be mounted in the middle of the plate. The mounting holes on the rack devices align with the mounting holes on the plate.

**NOTE** *The following illustration shows how a 1/4 rack device mounts to the ZipCaddy 200. Two screws attach the plate to the bottom of the unit.*

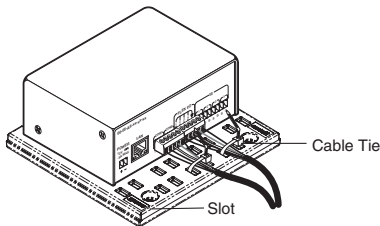


**ZipCaddy 200 mounting example**

## 2 Securing Cables to the ZipCaddy 200

Cable ties (included) are used to secure the cables to the ZipCaddy 200 and provide strain relief, as shown below.

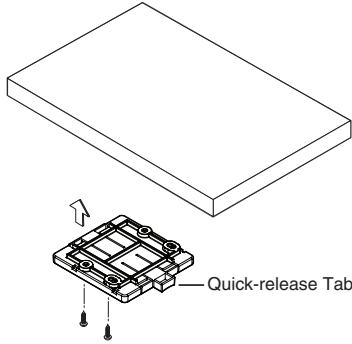
**NOTE** *Do not overtighten the cable ties. Allow enough slack for strain relief of the cables.*



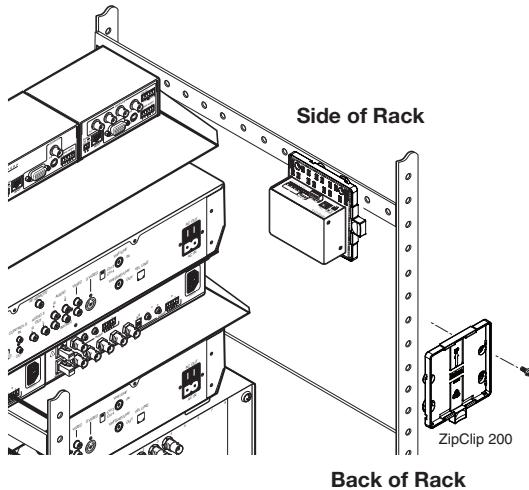
---

### 3 Mounting the ZipClip 200

The diagrams below illustrate how the ZipClip 200 attaches to an under-desk mounting surface using the four ZipClip 200 mounting screws (included) or to a rack rail.



#### ***Under-desk mounting***

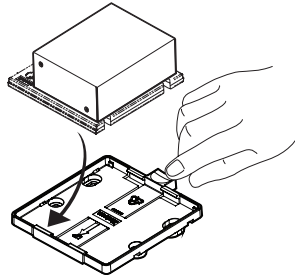


#### ***Rack Rail Mounting***

## 4 The Quick-Release Tab

The ZipClip 200 feature allows the caddy-mounted device (see "1: Attaching Devices to the ZipCaddy 200") to be quickly and conveniently attached and detached from the mounting location without the use of tools.

The channeled edges of the ZipCaddy 200 snap into the locking fingers of the ZipClip 200. The ZipCaddy 200 mounting plate is detached from the ZipClip 200 holster by depressing the quick-release tab, as shown on the right.



## Specifications

### Mounting

Rack mount ..... Yes, with required hardware

Furniture mount ..... Yes, with included hardware

Enclosure type ..... High impact plastic

### Enclosure dimensions

ZipClip 200 ..... 5.3" H x 4.6" W x 0.6" D  
(13.5 cm H x 11.6 cm W x 1.5 cm D)

ZipCaddy 200 ..... 4.4" H x 4.3" W x 0.4" D (mounts quarter rack or one-eighth rack wide, 3" deep products)  
(11.3 cm H x 11.0 cm W x 1.0 cm D)

Product weight ..... 0.3 lbs (0.1 kg) per each clip and plate pair  
2.8 lbs (1.3 kg) per 10-pack

Shipping weight ..... 3 lbs (2 kg) per 10-pack

Vibration ..... ISTA 1A in carton (International Safe Transit Association)

Warranty ..... 3 years parts and labor

### NOTE

*Specifications are subject to change without notice.*

68-1564-01 **Rev. A**  
07 08



Extron Electronics, USA  
1230 South Lewis Street  
Anaheim, CA 92805  
800.633.9876 714.491.1500  
FAX 714.491.1517

Extron Electronics, Europe  
Beeldschermweg 6C  
3821 AH Amersfoort, The Netherlands  
+800.3987.6673 +31.33.453.4040  
FAX +31.33.453.4050

Extron Electronics, Asia  
135 Joo Seng Rd. #04-01  
PM Industrial Bldg., Singapore 368363  
+800.7339.8766 +65.6383.4400  
FAX +65.6383.4664

Extron Electronics, Japan  
Kyodo Building, 16 Ichibancho  
Chiyoda-ku, Tokyo 102-0082  
Japan  
+81.3.3511.7655 FAX +81.3.3511.7656