

WMK 150 • Setup Guide

IMPORTANT SAFETY INSTRUCTIONS

Read all instructions before using this furnishing.

When using this furnishing, basic precautions should always be followed, including the following:

DANGER: Risk of Electric Shock. Disconnect power to this furnishing before cleaning.

WARNING: Risk of Electric Shock. Devices used in this furnishing should be connected to a properly grounded outlet only. See Grounding Instructions in the device manual.

WARNING: Risk of Personal Injury. Read and follow the steps below to reduce the risk of burns, fire, electric shock, or injury to persons.

1. Always unplug devices installed in this furnishing from outlets before putting on or taking off parts.
2. Close supervision is necessary when this furnishing is used by, or near children, invalids, or disabled persons.
3. Use this furnishing only for its intended use as described in these instructions. Do not use attachments not recommended by the manufacturer.
4. Never operate a device in this furnishing if it is not working properly, if it has been dropped or damaged, or dropped into water. Return the device used in this furnishing to a service center for examination and repair.
5. Never operate the furnishing with the air openings blocked. Keep the air openings free of lint, hair, and the like.
6. Never drop or insert any object into any opening.
7. Do not use outdoors.
8. Do not operate where aerosol (spray) products are being used or where oxygen is being administered.
9. To disconnect the devices, turn all controls to the off position, then remove plugs from outlet.

SAVE THESE INSTRUCTIONS

GROUNDING INSTRUCTIONS

This product must be connected to a grounded metal, permanent wiring system, or an equipment-grounding conductor must be run with the circuit conductors and connected to the equipment-grounding terminal or lead on the product

The Extron® WMK 150 Wall Mount Kit is used for hanging WallVault® System AV products on a wall near a flat screen display or short throw projector.

The WMK 150 has an enclosure **15.5 x 13 x 2.75 inches**, and a base plate on which to mount the switcher, for example a PVS 305SA, and the power supply, with room for cable management. In addition, an accessory device can be mounted on the base plate. The cover has knockouts on all four sides that allow external raceways or conduit to be used where needed for cabling.

WARNING: Risk of Personal Injury. Maximum load for the WMK 150 is **15 lbs (7 kg)**

NOTE: The WMK 150 is to be used only with Extron UL listed products.

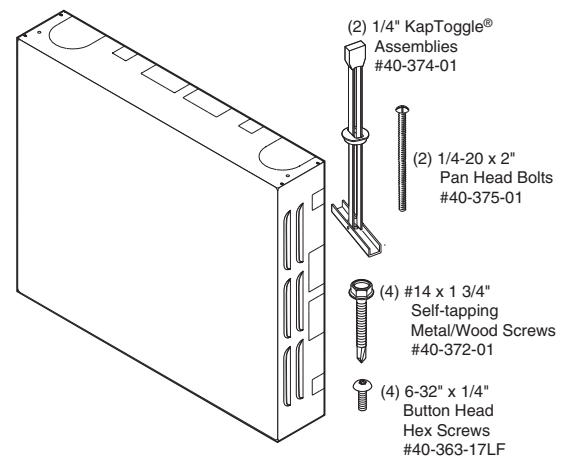


Figure 1. WMK 150 parts

The key components (base plate and cover) of the WMK 150 are shown assembled in figure 1.

Included in the kit are:

- (2) 1/4-20 x 2" pan head bolts, (2) 1/4" KapToggle® assemblies, (4) #14 x 1 3/4" self tapping metal/wood screws, (4) 6-32 x 1/4" button head hex screws.

Not shown but included are (3) 4-40 x 1/4" screws, (2) tie wraps (15"), (8) 4-40 x 3/16" screws (used to attach other Extron devices), and the PVS switcher mounting plate.

WMK 150 • Setup Guide, cont'd

Installation

NOTE: Refer to local building standards and codes to verify that the installation will meet the regulatory requirements. Observe all local and national building and safety codes, UL requirements, and ADA accessibility guidelines.


Before installation identify the type of wall (masonry or non-masonry) and the location where the WMK 150 will be installed. This determines the installation approach and type of fasteners needed to secure the plate to the wall.

1. Mount the Base Plate

Follow the steps within **1A** or **1B**, as applicable.

NOTE: The base plate can be installed over an existing electrical outlet (see figure 2).

1A. To mount the WMK 150 onto masonry walls:

- i. Hold the base against the wall, level it, and mark the positions of four slotted mounting holes (indicated by + marks in figure 2). Set the plate aside.
- ii. Using a masonry drill bit, drill 1¾ inch (4.4 cm) deep pilot holes at the marked locations.
- iii. Screw in ¼ x 1¾ inch masonry screws (not supplied) until a gap of about 3/8 inch (9 mm) remains between the wall and the screw heads.
- iv. Align the slotted mounting holes of the base plate over the installed screws, then slide the plate down so the screws fit into the slots. 
- v. Verify level and position and tighten all the screws to secure the plate flush to the wall.

Proceed to step 2.

1B. To mount the WMK 150 onto a non-masonry wall:

- i. At the desired site locate and mark the wall studs.

NOTE: For ideal installation secure the base plate to at least one wall stud with two screws (see figure 3). Drywall KapToggles can be used for holes not aligned with studs. Always use the widest spacing of screws and KapToggles. The base plate can be installed over an existing electrical outlet (see figure 2).

- ii. Hold and level the base plate against the wall and mark the positions of the slotted mounting holes that are on the stud lines (see figure 3, indicated by + marks). Where applicable, mark the mounting holes on the wall for drywall toggles.
- iii. If the cables are to be run behind the wall to the WMK 150 location, mark the cutout area on the wall for the signal cable access hole (see figure 3). Remove the base plate and set the plate aside.
- iv. Drill 1¾ inch (4.4 cm) deep pilot holes at the hole marks.
- v. Cut out the marked area for cable access.
- vi. At the pilot holes, screw in the screws until a gap of about 3/8 inch (9 mm) remains between the wall and the screw heads.

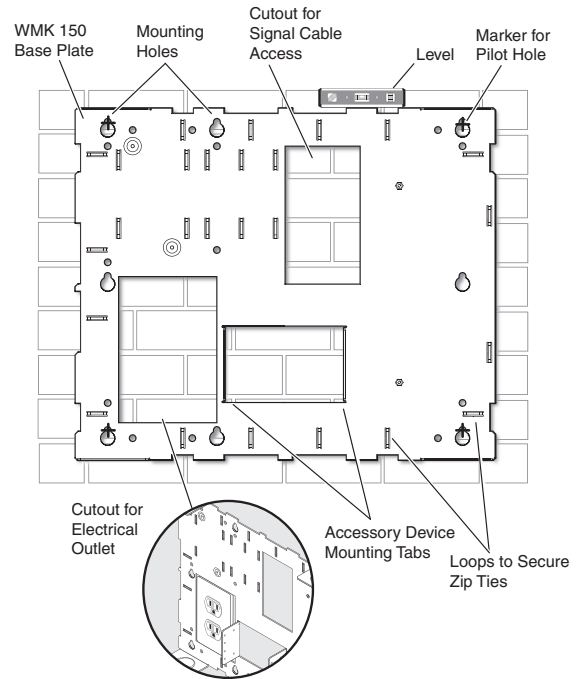


Figure 2. Masonry wall mounting

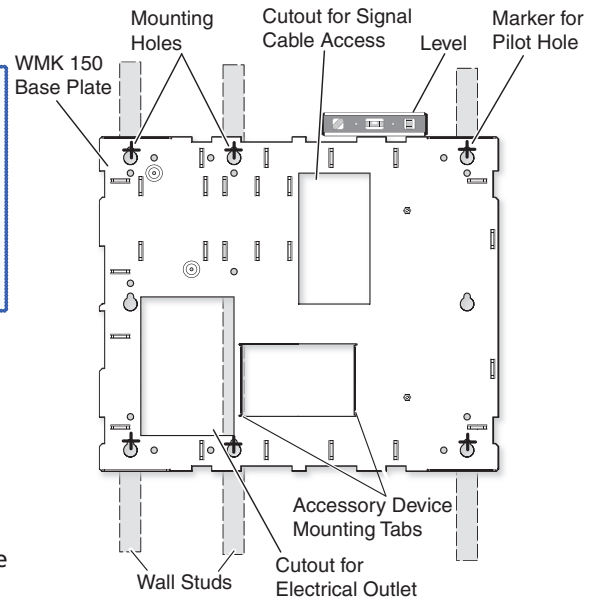


Figure 3. Non-masonry wall mounting

WMK 150 • Setup Guide, cont'd

NOTE: If using toggle assemblies, see figure 4 for method.

vii. Align the base plate's slotted mounting holes over the installed screws, then slide the plate down so the screw fit into the slots.



viii. Verify level and position, and tighten down all the screws to secure the plate flush to the wall.

2. Mount the Switcher, Power Supply, and Accessory Device

NOTE: Always use a power supply supplied or specified by Extron. Use of an unauthorized power supply voids all regulatory compliance certification and may cause damage to the supply and the end product. Unless otherwise stated, the AC/DC adapters are not suitable for use in air handling spaces or in wall cavities. The installation must always be in accordance with the applicable provisions of National Electrical Code ANSI/NFPA 70, article 75 and the Canadian Electrical Code part 1, section 16. The power supply shall not be permanently fixed to a building structure or similar structure.

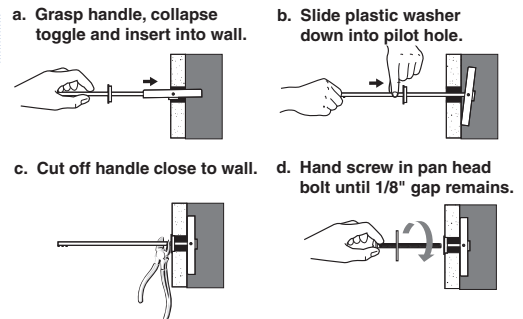


Figure 4. Toggle assembly installation

- Invert the switcher and place it (base up) on a flat surface. Place the mounting plate flat on the switcher base with the plate tabs (raised section up) over the edge of the front panel. Keeping the edge of the plate flush with the front edge of the switcher, align the two mounting holes in the switcher base with the corresponding holes on the mounting plate. Secure the plate to the switcher with the supplied 4-40 x 1/4 inch screws.
- Secure the switcher mounting plate (with switcher attached) to the base plate by sliding the two tabs into the slots at the right edge of the base plate. Secure to the standoffs with 4-40 x 3/16 inch screws (see figure 5).
- Secure the power supply above the electrical outlet cutout by threading the supplied tie wraps through the loops on the base plate. Attach it so the cables are easily and safely routed to the electrical outlet and switcher alike.
- An optional 1/4 rack, 3 inch deep accessory device, such as the Extron HDMI 201 Rx, can be installed on the WMK 150 base plate. To do so, place the device between the accessory mounting tabs, align the holes on the tabs and the device, and secure with the supplied 4-40 x 3/16 inch screws.

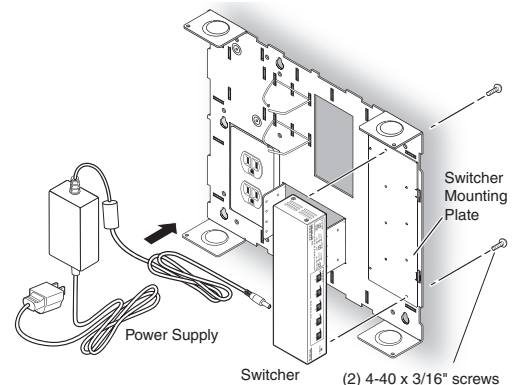


Figure 6. Attaching the switcher and power supply to base plate

3. Run Cables

Run signal cables from the proposed PoleVault® input wallplates, control device location, and the speakers to the WMK 150 location. Cables can be routed behind the walls, or through a surface raceway (for example, Wiremold® V700 or 2400 series) directly to the WMK 150.

3A. If running cable behind the walls:

- Run all the cables from the various locations to the WMK and through the access hole.

3B. If using a surface raceway:

- Slide the WMK cover over the base plate, then identify and mark the most suitable raceway entrance to the WMK 150.
- Run the raceway from the signal source, speaker, and display locations to the marked raceway entrance at the WMK.
- Remove the WMK cover, and remove the desired knockout.
- Attach the raceway to the wall. Run cables from the sources and outputs through the raceway to the WMK.

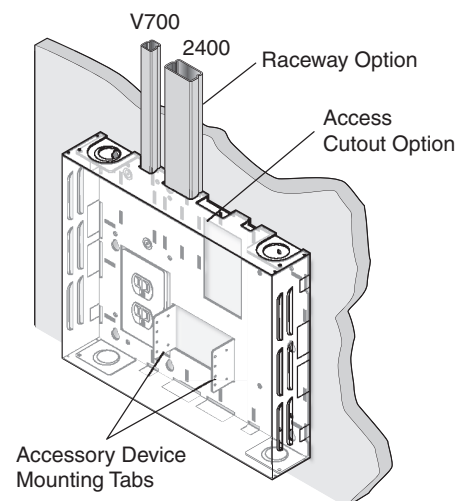


Figure 5. Cabling run options

WMK 150 • Setup Guide, cont'd

4. Cable the Switcher

- a. Connect the cables from the PoleVault wallplates, control device (MediaLink® Controller), speakers, and optional accessories (VoiceLift® and Page Sensor Kit) to the rear ports of the switcher (see figure 7 on page 4).

Refer to the *PVS 305SA Setup Guide* for additional details.

NOTE: If using a device other than a PVS 305SA (such as a PVS 204SA Plus), refer to that device manual.

- b. Run VGA and composite video cables from the switcher to the output display device through the wall or, where fitted, the raceway.
- c. Connect the power supply to the switcher and plug it in to the electrical outlet.

NOTE: If the electrical outlet is outside the WMK, pass the IEC power cable out through one of the raceway knockouts

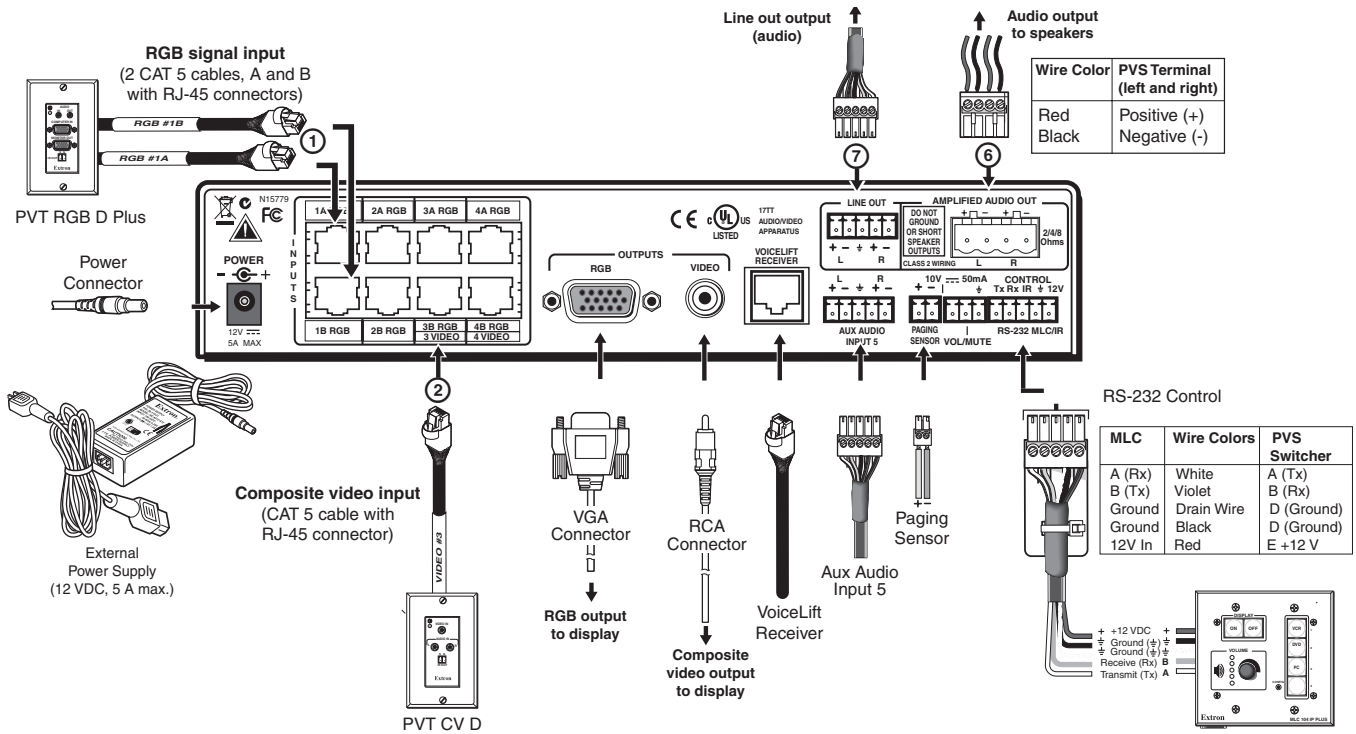


Figure 7. Cabling the switcher

WMK 150 • Setup Guide, cont'd

5. Final Installation.

- a. After completing cabling, place the cover over the installed plate, and secure at each corner with the provided 6-32 button head hex screws.

NOTE: Ensure any cables exiting the box to a display device and external electrical outlet pass through a raceway knockout.

- b. Switch on the display device, control device, signal sources, and then adjust and configure the system as needed.

For full configuration and setup details, refer to the *PoleVault System Installation Manual*, the *MLC 104 Plus Series Reference Manual*, and the *PVS 305SA User's Manual*, all available online at www.extron.com.

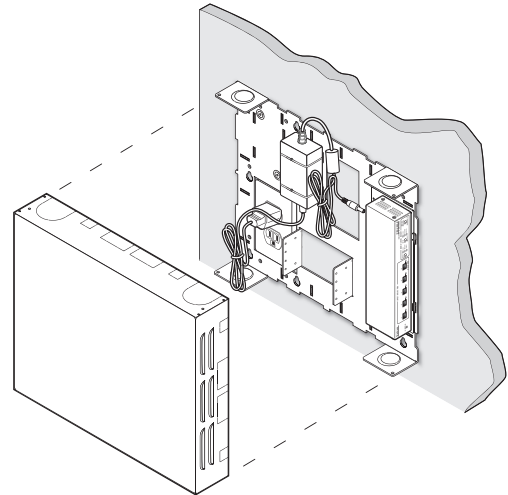


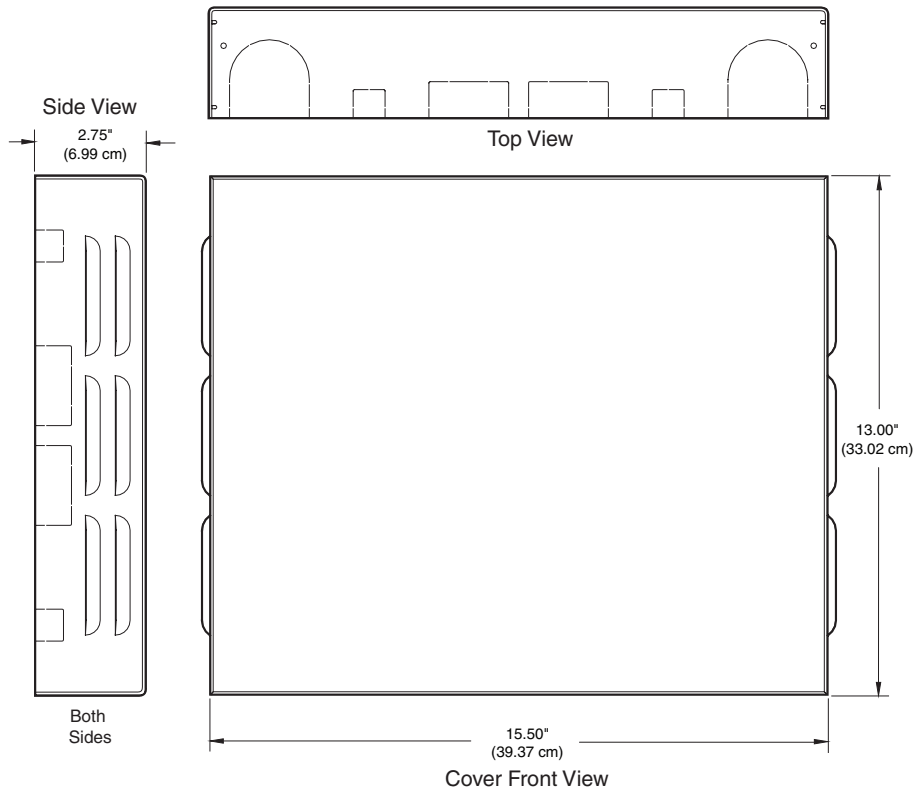
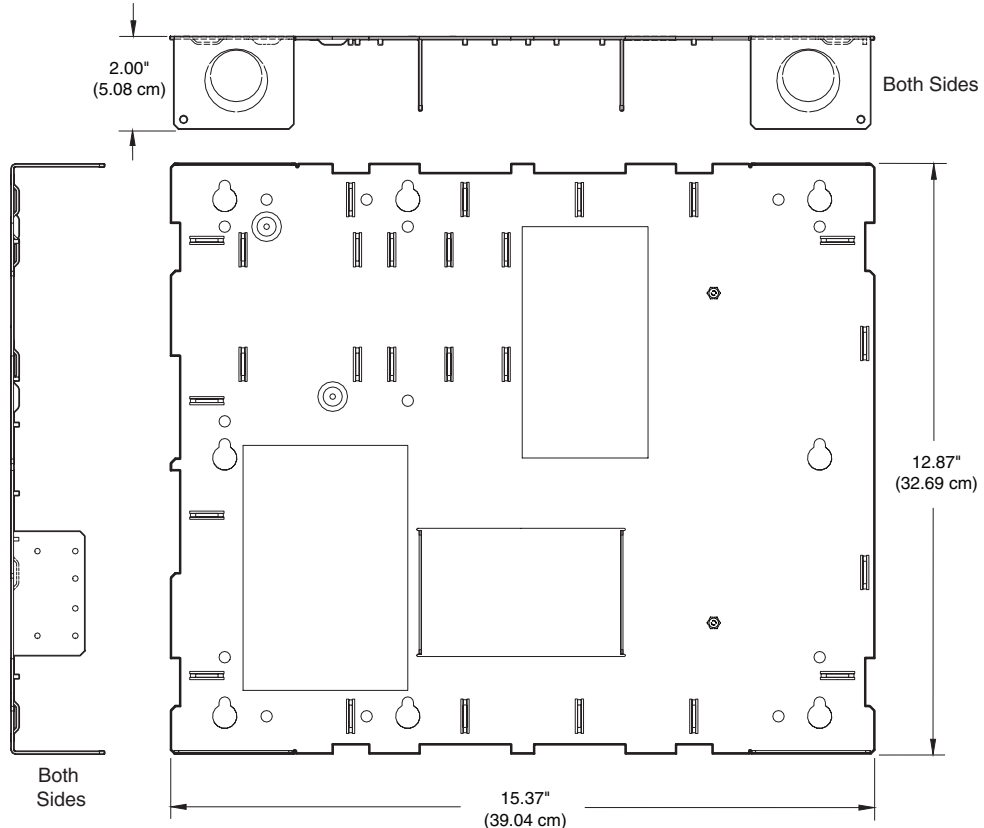
Figure 8. Attach WMK 150 cover

General Specifications

Mounting	
Wall mount.....	Yes, with included hardware
Maximum load capacity.....	15 lbs (6.8 kg)
Material	Steel base plate, aluminum cover
Dimensions	
Base plate	12.9" H x 15.4" W x 2.0" D (32.7 cm H x 39.0 cm W x 5.1 cm D)
Cover	13.0" H x 15.5" W x 2.75" D (33.0 cm H x 39.4 cm W x 7.0 cm D)
Product weight.....	4.5 lbs (2.0 kg)
Shipping weight.....	7 lbs (4 kg)
Vibration.....	ISTA 1A in carton (International Safe Transit Association)
Regulatory compliance	
Safety	c-UL, UL, OSHPD anchorage pre-approval
Warranty.....	3 years parts and labor

NOTE: Specifications are subject to change without notice.

WMK 150 • Setup Guide, cont'd



Extron Headquarters +1.800.633.9876 (Inside USA/Canada Only)	Extron Asia +65.6383.4400	Extron China +86.21.3760.1568)	Extron Korea +82.2.3444.1571
Extron Europe +31.33.453.4040	Extron Japan +81.3.3511.7655	Extron Middle East +971.4.2991800	Extron India +91.80.3055.3777