

## Low Profile VESA® Mount Kit • User Guide

### Overview

The Extron Low Profile VESA Mount Kit (LPVM-1) is an accessory used to mount monitors or Extron touchpanels (tilting models only) to a two-gang, UL-certified junction box, a two-gang mud ring, or directly onto any solid surface, such as brick, wood, masonry, or drywall. The kit supports both the B-type (20 x 50 mm) and D-type (75 x 75 mm) VESA mounting patterns. The monitor attaches to the wall at a fixed angle with no tilting.

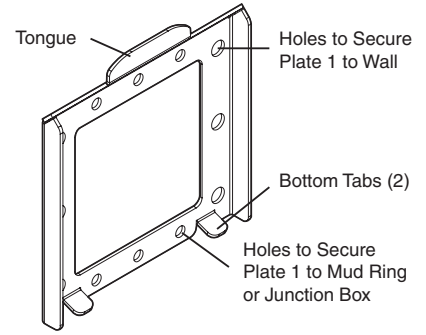
The kit consists of two separate steel plates, held together by two locking screws. Plate 1, which attaches to the wall, has a protruding tongue at the top. The tongue fits into a groove at the top of plate 2, which attaches to the back of the display device (see the figure at right).

**NOTE:** Do not use the Extron VM 700T mounting kit with the LPVM-1.

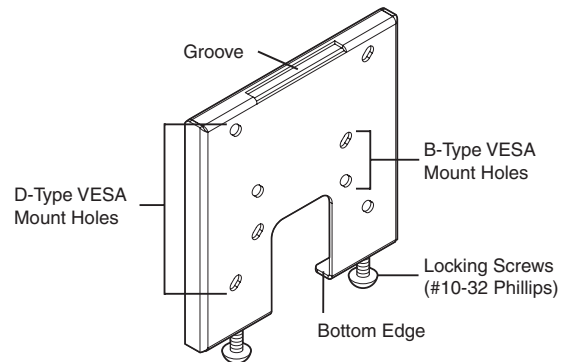
### Optional Tools and Equipment

To mount the LPVM-1, you may need some or all of the following items that are not provided by Extron:

- Mud ring or UL-certified junction box
- Tools for cutting a hole in drywall
- Conduit or surface raceway
- Power drill with a bit that is appropriate for the wall type
- Screwdriver
- Four screws or bolts, to attach the LPVM-1 to the wall. These must be appropriate for the type of wall (see the table below).



LPVM-1 Plate 1



LPVM-1 Plate 2

Wall Type	Fasteners	Min. Fastener Size	Quantity	Drill Bit Size	Notes
Dry wall	Toggle bolts	3/16 inch	4	1/2 inch	Minimum 3/8 inch wall thickness
Solid wood	Wood screws	#6 with a washer	4	3/32 inch	Minimum 3/8 inch wall thickness
Masonry	Masonry screws	1/4 inch	4	3/16 inch	Do not mount to masonry joints.

### Installation Instructions

**CAUTION:** The maximum load for the LPVM-1:

- VESA B or VESA D with mud ring— 4.4 pounds (2 kg)
- VESA D if the LPVM-1 is mounted directly to a wall— 30.8 pounds (14 kg)

**ATTENTION :** La charge maximum pour le LPVM-1:

- VESA B ou VESA D avec un cadre d'installation— 2 kg (4,4 pounds)
- VESA D si le LPVM-1 est monté directement de façon murale — 14 kg (30,8 pounds)

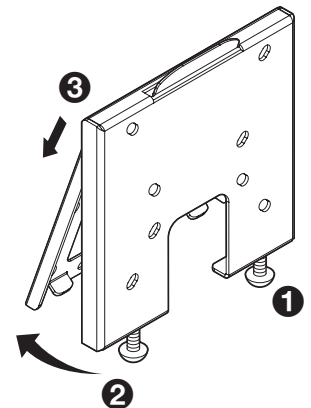
#### Installation Overview

To VESA mount a display device with the LPVM-1:

1. **Separate the LPVM-1 plates.**
2. Secure LPVM-1 plate 1 **directly to the wall**, to a **mud ring, or to a UL-certified junction box**.
3. **Mount the display device.**

#### Separate the LPVM-1 Plates

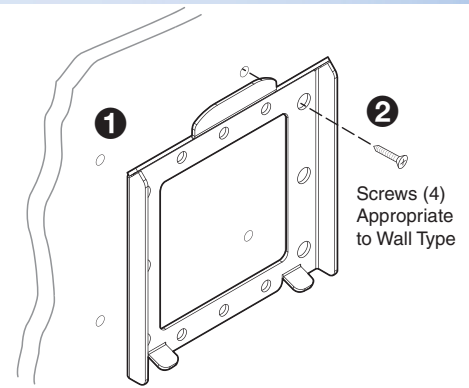
1. Use a Phillips screwdriver to loosen the two locking screws until the two plates of the LPVM-1 can separate (1).
2. Swing the bottom tabs of plate 1 away from the bottom edge of plate 2 (2).
3. Pull plate 1 down to remove the tongue from the groove in plate 2 (3).



# Low Profile VESA® Mount Kit • User Guide

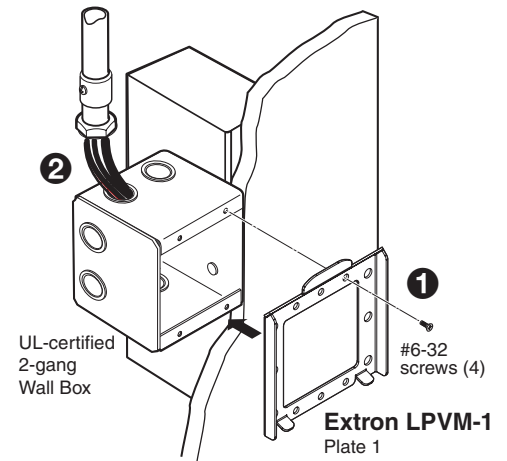
## Mounting the LPVM-1 Directly to a Wall:

1. If the LPVM-1 is mounted to drywall and you wish to run cables inside the wall cavity, cut a hole that is 2.5 x 2.5 inches (6.35 x 6.35 cm) in the drywall. Otherwise, enclose the cables in conduit or raceway.
2. Use plate 1 to mark the position of the four holes in the wall (1).
3. Drill four holes, using a drill bit that is appropriate for the wall type (1). Plate 1 accommodates screws up to 1/4 inch (6.35 mm) in diameter.
4. Ensure the tongue is facing up. Secure plate 1 to the wall with four screws or bolts that are appropriate for the wall type (2).



## Mounting the LPVM-1 to a Mud Ring or UL-Certified Junction Box in Drywall:

1. Follow the instructions provided by the manufacturer to cut the hole and install the mud ring or junction box.
2. Ensure the tongue is facing upwards. Attach plate 1 to the mud ring or junction box, using the four #6-32 screws provided (1).
3. Connect conduit to the junction box and run the cables to the installation site (2).



## Mounting the Display Device

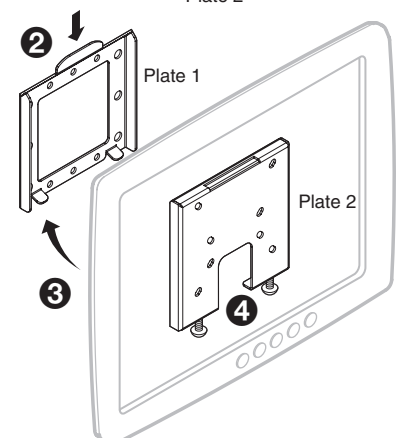
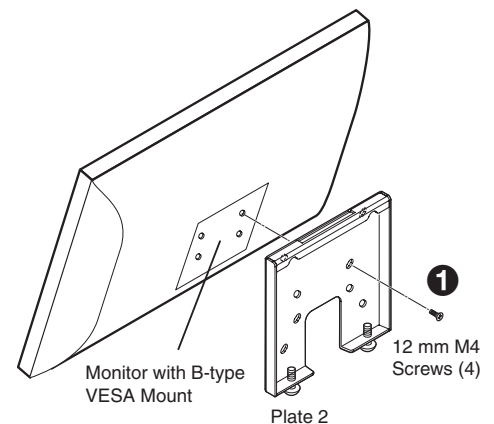
1. Remove all cables from the display device.
2. Locate the VESA mounting holes on the rear of the display device.

**NOTE:** Before mounting Extron TouchLink touchpanels, you must remove the base and rear panel (see the User Guide for your touchpanel at [www.extron.com](http://www.extron.com)).

3. Attach plate 2 securely to the back of the display device, with the four provided 12 mm M4 screws (1).

**NOTE:** Plate 2 blocks access to certain rear panel features of some Extron TouchLink Touchpanels. For those models, attach cables and check the device **before** securing plate 2 (see the VESA Mount section of your touchpanel User Guide to see if this applies).

4. Attach the cables to the back of the display device. Feed any excess cable back into the wall, conduit, or raceway. Follow all information in the user guide provided with the display device to ensure the cables and power are connected correctly.
5. Check the display device is working correctly (see the display device user guide).
6. Hold the display at a slight angle so that the groove of plate 2 is over the tongue in plate 1. Lower the display device so that the tongue enters the groove as far as possible (2).
7. Move the bottom of the display slowly inwards so that the bottom tabs of plate 1 are seated over the bottom edge of plate 2 (3).
8. Lock the two plates together by tightening the two locking screws with a screwdriver (4). Do not over-tighten the screws.



<b>Extron Headquarters</b> +1.800.633.9876 (Inside USA/Canada Only) <b>Extron USA - West</b> <b>Extron USA - East</b> +1.714.491.1500      +1.919.850.1000 +1.714.491.1517 FAX      +1.919.850.1001 FAX	<b>Extron Europe</b> +800.3987.6673 (Inside Europe Only) +31.33.453.4040 +31.33.453.4050 FAX	<b>Extron Asia</b> +65.6383.4400 +65.6383.4664 FAX	<b>Extron Japan</b> +81.3.3511.7655 +81.3.3511.7656 FAX	<b>Extron China</b> +86.21.3760.1568 +86.21.3760.1566 FAX	<b>Extron Middle East</b> +971.4.299.1800 +971.4.299.1880 FAX	<b>Extron Korea</b> +82.2.3444.1571 +82.2.3444.1575 FAX	<b>Extron India</b> 1800.3070.3777 (Inside India Only) +91.80.3055.3777 +91.80.3055.3737 FAX
---	--	--	---	---	---	---	--