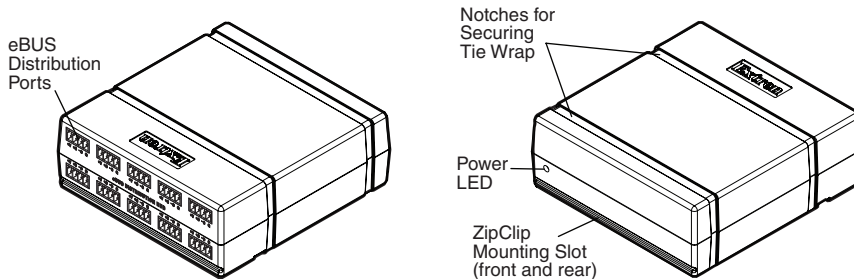


## EBDB • Setup Guide

The Extron EBDB is an eBUS® signal distribution hub for use with eBUS-enabled IP Link® Pro control processors. It includes ten eBUS ports, connected in parallel, which allows each port to act as an input or an output for communication between IPCP Pro control processors and other eBUS devices. A front panel LED indicates when power is present on one or more of the ports.

The EBDB does not need to be set up. Other components of an eBUS-enabled system (an IPCP Pro control processor and eBUS peripheral products such as EBPs [eBUS button panels]) must be configured using Extron Global Configurator (GC) software (in GC Professional or GC Plus mode), which is available at [www.extron.com](http://www.extron.com).

### Features

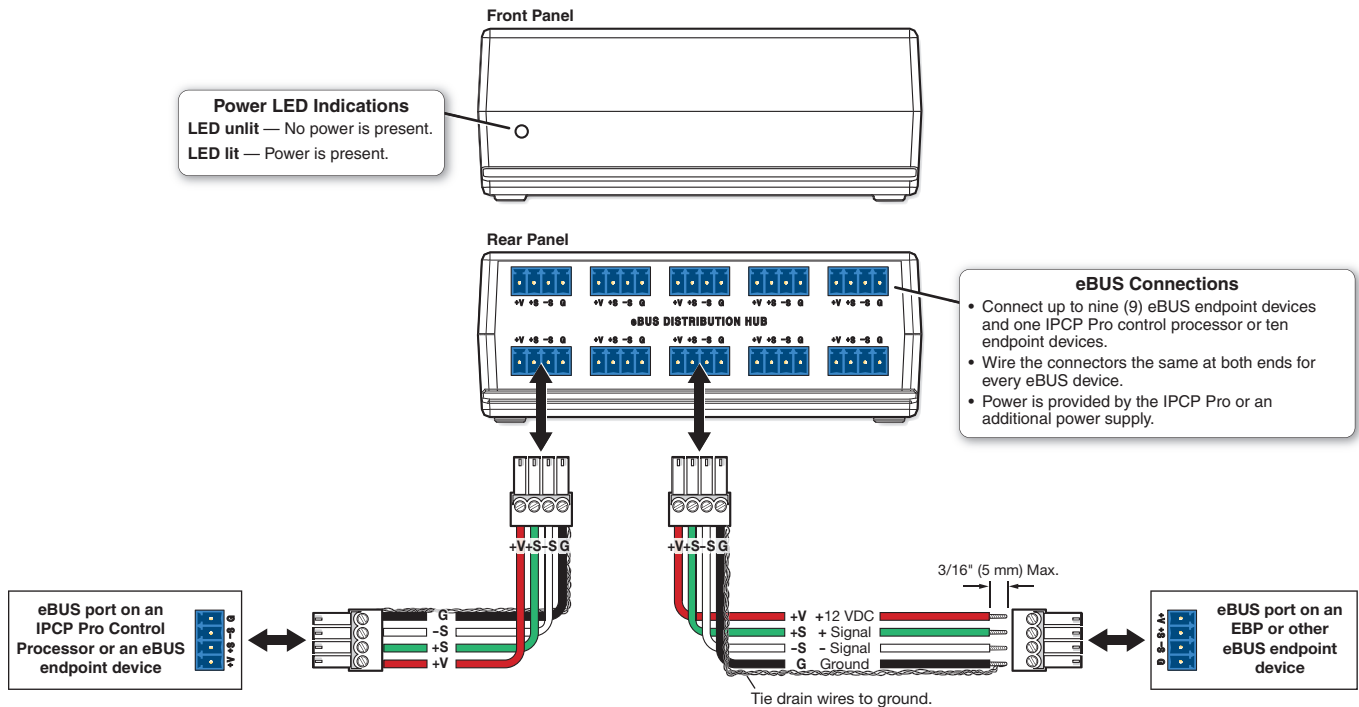


**Figure 1.** EBDB Rear and Front Panel Features

### Cabling: eBUS Connections

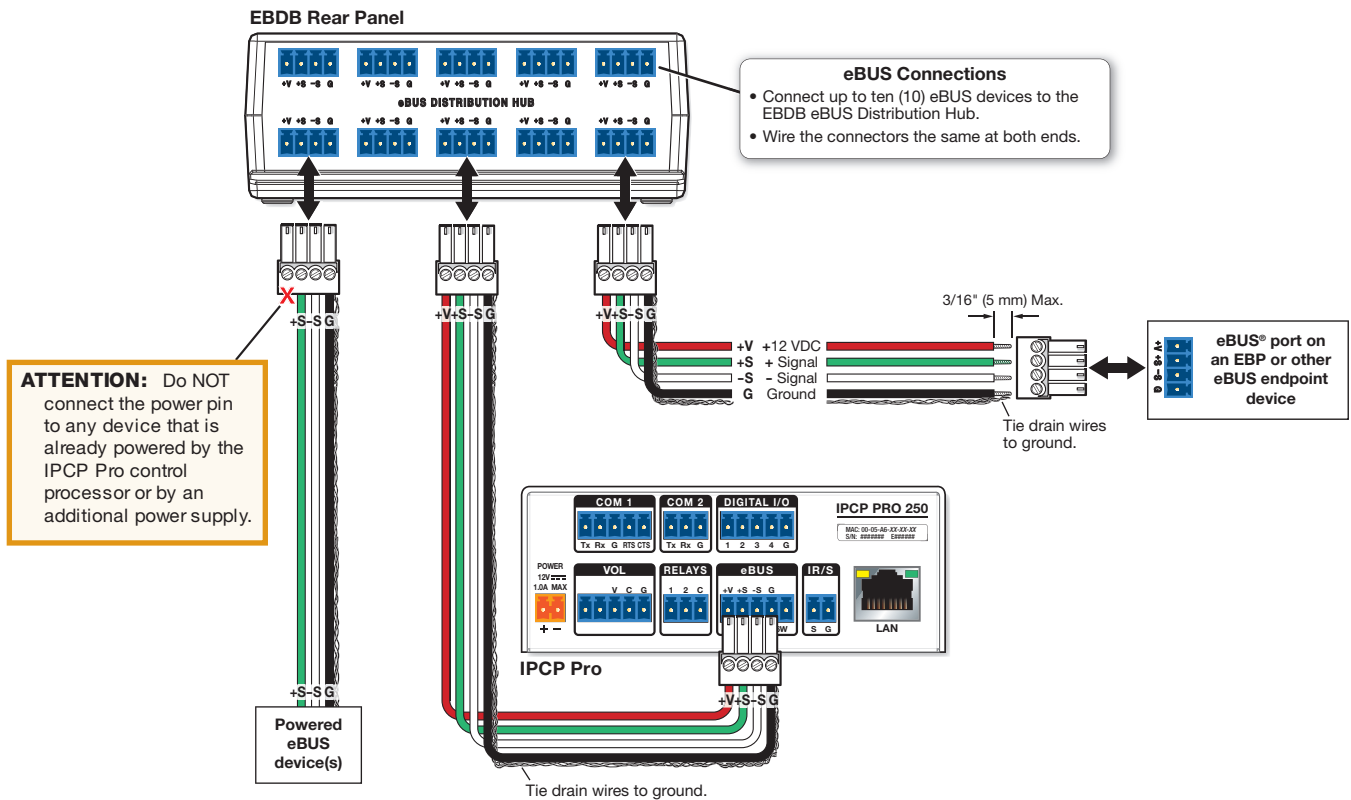
Attach cables using the following diagrams as a guide. Extron STP20-2/1000 or STP20-2P/1000 cable is recommended for eBUS connections.

**ATTENTION:** Installation and service must be performed by authorized personnel only.



**Figure 2.** Basic eBUS Wiring and Indications

# EBDB • Setup Guide (Continued)



**Figure 3. eBUS Wiring for a System with Two Power Sources**

## Installation

1. Mount the EBDB and the IPCP Pro to the rack or furniture (see [Mounting](#) on page 3).
2. Connect the EBDB and any eBUS endpoint devices to each other in a daisy-chain or a star arrangement. Wire both ends of each cable the same (pin 1 to pin 1, pin 2 to pin 2, and so forth).
3. Connect the IPCP Pro to the EBDB, making sure that both ends of the cable are wired the same.

**NOTE:** See the attention information in figure 3 so you do not connect the power pins (labeled V+) on the EBDB to two powered devices. Power should be supplied to the EBDB by only one source.

4. Connect power to the devices, connect the IPCP Pro to a network, and set up the IPCP Pro and its connected eBUS endpoint devices.

## Additional Instructions, Information, and Assistance

- Instructions on configuration are available in the user and setup guides for the IPCP Pro control processor and for the eBUS endpoints, and in the *Global Configurator Help* file. The *Global Configurator Help* file includes an introduction to the software and how to start a GC project, as well as instructions on configuration.
- See the user guides for each eBUS product for details about eBUS addresses and about firmware updates.
- Software, help files, and guides are all available at [www.extron.com](http://www.extron.com).
- If you have questions during installation and setup, call the [Extron S3 Sales & Technical Support Hotline](#) or the Extron S3 Control Systems Support Hotline (1.800.633.9877).

## Mounting

You can mount an EBDB to the following items:

- tabletop
- optional equipment rack shelf
- equipment rack (using mounting brackets)
- furniture (using a mounting kit)

Optional mounting kits (see the following table) are available.

Optional Mounting Kits
RSB 123 1U Basic Rack Shelf for 3.5" Deep Products
RSF 123 1U Rack Shelf Kit for 3.5" Deep Products
RSB 126 1U Basic Rack Shelf for 6" Deep Products
RSU 126 1U Universal Rack Shelf Kit for 6" Deep Products
RSB 129 1U Basic Rack Shelf for 9.5" Deep Products
RSU 129 1U Universal Rack Shelf Kit for 9.5" Deep Products

Read the instructions and UL guidelines that come with any mounting kit for installation procedures.

## Using the ZipClip 200

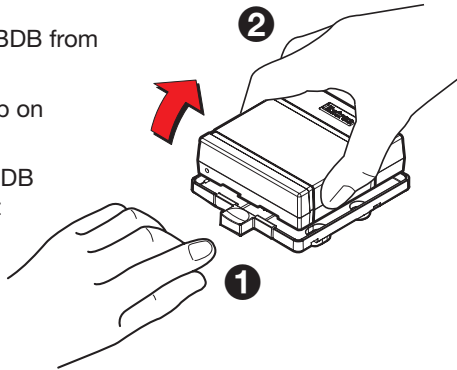
### Attaching and Removing the Clip and EBDB

To attach the EBDB to the ZipClip 200 mounting clip:

1. Insert the bottom of the EBDB down into the clip, starting with one end.
2. Pivot the other end down and press until the clip snaps into place.

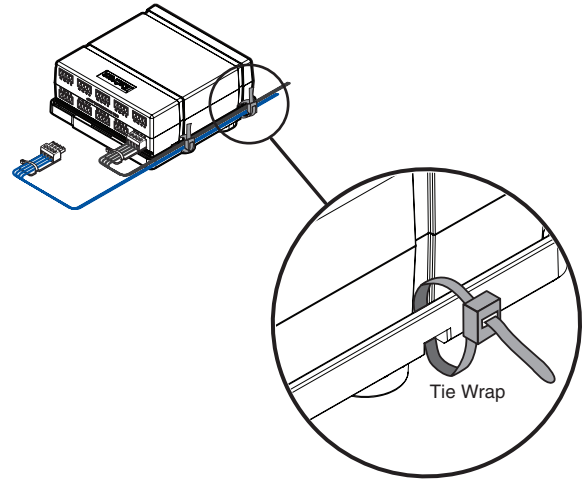
To remove the EBDB from the ZipClip:

1. Press the tab on the ZipClip.
2. Pivot the EBDB and lift it out of the ZipClip.



## Using Tie Wraps for Cable Strain Relief

1. Attach the EBDB to the ZipClip 200 mounting clip as described previously.
2. Fasten the cables to the ZipClip base.
  - a. Insert tie wraps (which are also called "zip ties") along the notches on the side of the EBDB and through the tie wrap anchor points on the ZipClip, then around the cord.
  - b. Connect and pull the tie wraps until they are secure. Do not over tighten.

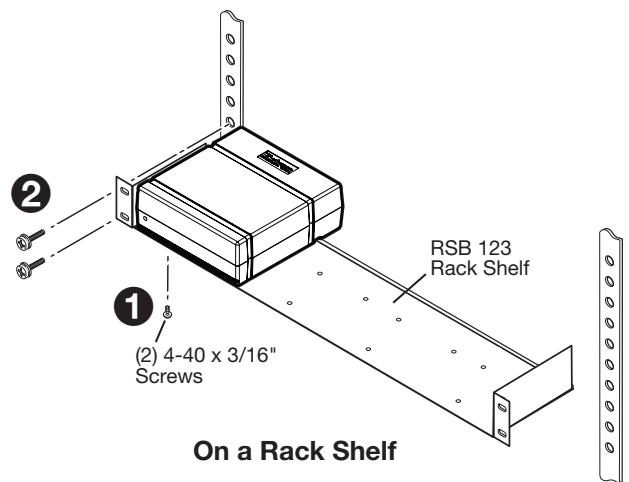


## Rack Mounting

### Mounting to a Rack Shelf

The EBDB is one quarter rack wide. Up to four EBDBs can be mounted side by side directly onto a rack shelf.

1. Align the threaded holes in the bottom of the EBDB with the holes in an Extron rack shelf and fasten the unit to the shelf with two screws as shown below.

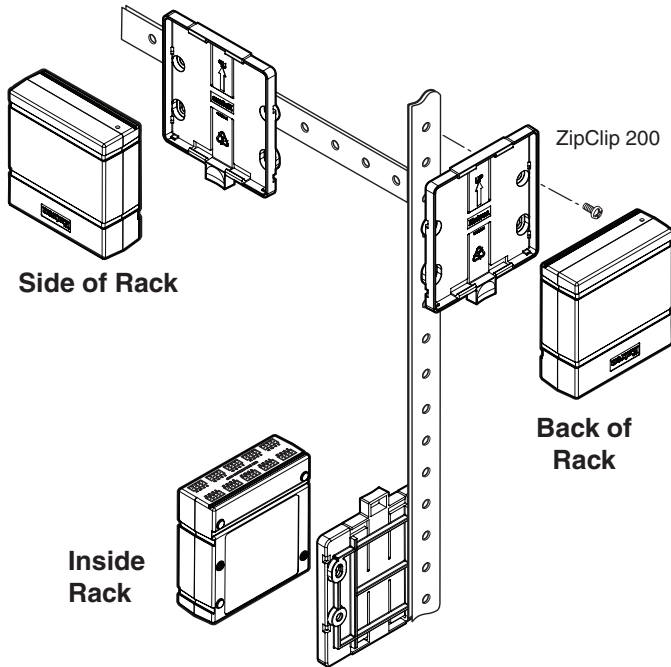


2. Bolt the rack shelf to the rack.

# EBDB • Setup Guide (Continued)

## Mounting to Rack Rails Using a ZipClip

1. Fasten the ZipClip 200 mounting clip to a rack rail using two rack screws as shown in the diagram below.

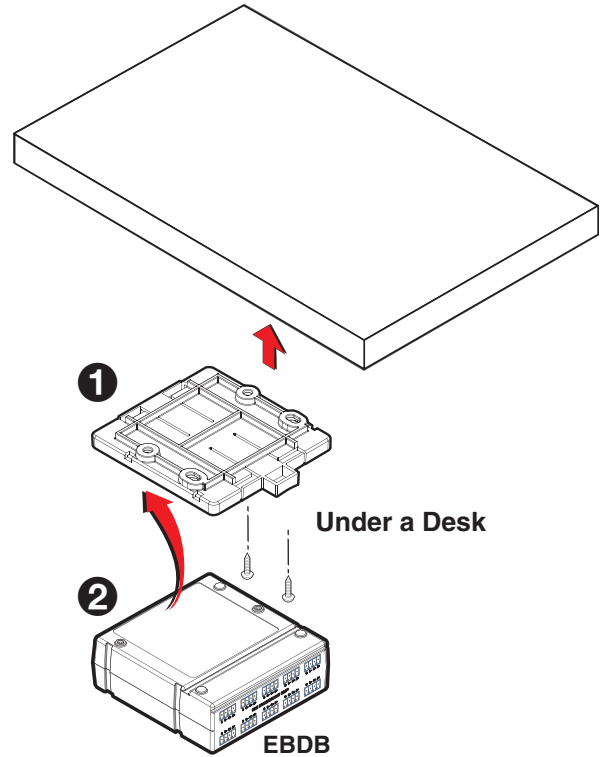


2. Insert the bottom of the EBDB down into the clip, starting with one end.
3. Pivot the other end toward the clip and press until the clip snaps into place.

## Furniture Mounting

**NOTE:** The ZipClip is shipped with a set of four wood screws.

1. Attach the ZipClip to the mounting surface using two or more wood screws as shown below. Make sure the clip is oriented with the appropriate surface facing the mounting surface of the furniture and with the tab accessible from the front of the furniture.



2. Insert the EBDB into the ZipClip as described previously and press to snap it into place.

If you have questions during installation and setup, you can call the [Extron S3 Sales & Technical Support Hotline](#) or the Extron S3 Control Systems Support Hotline (1.800.633.9877).

68-2217-50  
Rev. B  
02 16

<b>Extron Headquarters</b> +1.800.633.9876 (Inside USA/Canada Only) <b>Extron USA - West</b> +1.714.491.1500 +1.714.491.1517 FAX	<b>Extron USA - East</b> +1.919.850.1000 +1.919.850.1001 FAX	<b>Extron Europe</b> +800.3987.6673 (Inside Europe Only) +31.33.453.4040 +31.33.453.4050 FAX	<b>Extron Asia</b> +65.6383.4400 +65.6383.4664 FAX	<b>Extron Japan</b> +81.3.3511.7655 +81.3.3511.7656 FAX	<b>Extron China</b> +86.21.3760.1568 +86.21.3760.1566 FAX	<b>Extron Middle East</b> +971.4.299.1800 +971.4.299.1880 FAX	<b>Extron Australia</b> +61.8.8351.2188 +61.8.8351.2511 FAX	<b>Extron India</b> 1800.3070.3777 (Inside India Only) +91.80.3055.3777 +91.80.3055.3737 FAX
--	--	--	--	---	---	---	---	--