

IMPORTANT:
Refer to www.extron.com for the complete TLP Pro 320M and TLP Pro 520M user guide and installation instructions before connecting the product to the power source.

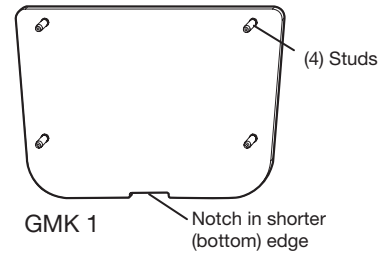
GMK 1 • Installation Guide

ATTENTION:

- The installation must always be in accordance with the applicable provisions of National Electrical Code ANSI/NFPA 70, article 725 and the Canadian Electrical Code part 1, section 16.
- Cette installation doit toujours être en accord avec les mesures qui s'applique au National Electrical Code ANSI/NFPA 70, article 725, et au Canadian Electrical Code, partie 1, section 16.

The Extron GMK 1 is an accessory for the SMB 1 kit and is used to mount the TLP Pro 320M or the TLP Pro 520M touchpanel on a glass surface. This guide provides instructions for experienced, professional installers to mount and install either touchpanel using the GMK 1 and SMB 1 mounting kits.

The GMK 1 consists of an adhesive patch and a metal plate. Attach the adhesive patch to a glass surface and attach the flat surface of the metal plate to the adhesive patch. The opposite surface of the metal plate has four studs (one in each corner) to secure the SMB 1.

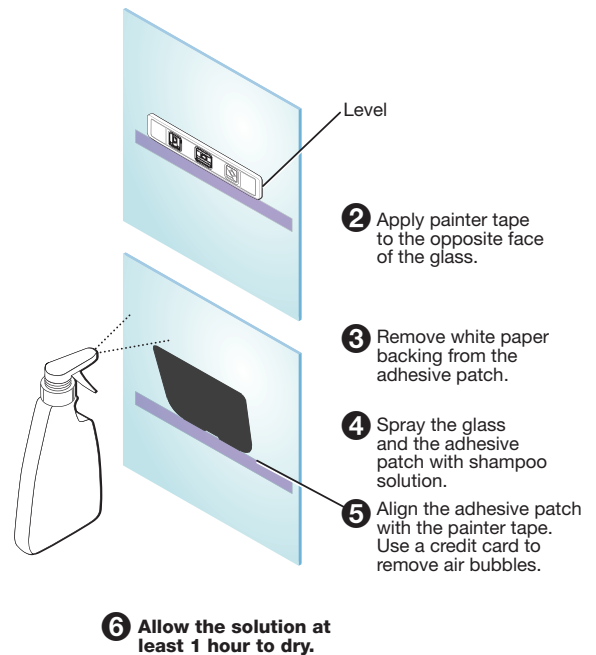


Applying the Adhesive Patch

- Decide where to place the touchpanel and clean the surface of the glass with lint-free cloth and a 50:50 mixture of isopropyl alcohol and water.
- Mark the lower edge of the GMK 1 with painter tape applied to the opposite side of the glass (2). Use a level.
- Remove the white paper backing from the adhesive patch (3).
- Spray a solution of no tears baby shampoo in water (¼ teaspoon of shampoo in a quart of water) onto the glass and adhesive patch (4). The solution acts as a lubricant that allows you to maneuver the adhesive patch precisely into position.

NOTE: Ensure the adhesive patch is oriented correctly. The shorter, bottom edge of the GMK 1 has a notch.

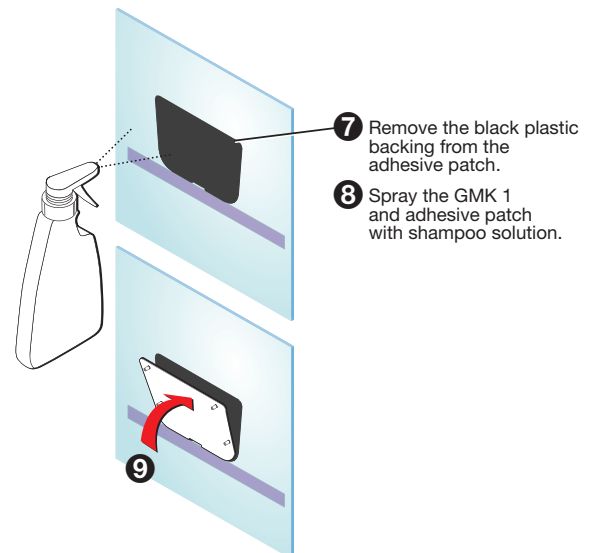
- Carefully align the adhesive patch with the tape from step 2 (5). Use a credit card or similar flat edge to remove any air bubbles trapped between the adhesive and the glass. Use a cloth to absorb excess liquid.
- The patch can move easily while it is still wet. Allow it at least 1 hour to dry before applying the GMK 1 plate.



Applying the GMK 1 Plate to the Adhesive

- Remove the black plastic backing from the adhesive patch (7).
- Spray the exposed surface of the adhesive patch and the flat surface of the GMK 1 with the shampoo solution (8).
- Carefully align the lower edge of the plate with the tape from step 2. Hold the GMK 1 at a slight angle to allow air to escape without forming bubbles as you press the plate into place (9).

The shampoo solution acts as a lubricant that allows you to move the GMK 1 into position. However, the plate becomes more difficult to move as the solution starts to dry out (about 20 minutes).



GMK 1 • Installation Guide (Continued)

- Press the plate firmly against the glass to force out excess liquid. Use a cloth to absorb excess liquid.
- Allow the bond to set for at least 1 hour. If possible, allow 72 hours for maximum strength.

ATTENTION: The maximum load for the GMK 1 is 5 lb (2.27 kg).

ATTENTION : La charge maximum pour le GMK 1 est 2,27 kg (5 lbs).

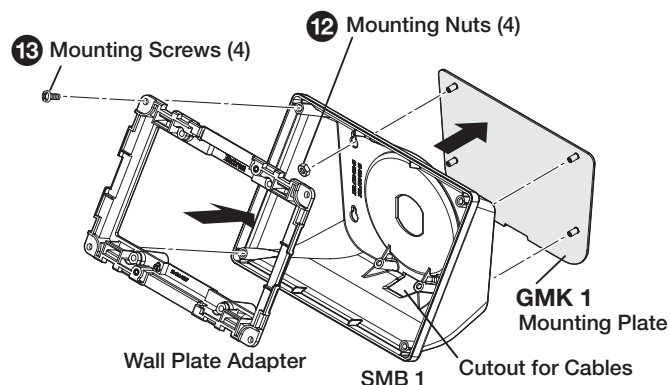
NOTE: To remove the plate, heat the glass and adhesive with a heat gun and slide a thin wire between the plate and the glass. Once the plate has been removed from the glass, do not reuse it.

Mounting the SMB 1 on the GMK 1

NOTE: If required, drill a hole in the side of the SMB 1 to run cables and raceway from the side of the mounting kit.

- Align the four holes on the back of the SMB 1 with the four studs on the GMK 1. Secure the SMB 1 to the GMK 1 using the four provided nuts (12). Do not overtighten the nuts.

NOTE: Mount the SMB 1 with the touchpanel facing upward and the cutout for the cable facing downward.



Installing the Touchpanel in the SMB 1

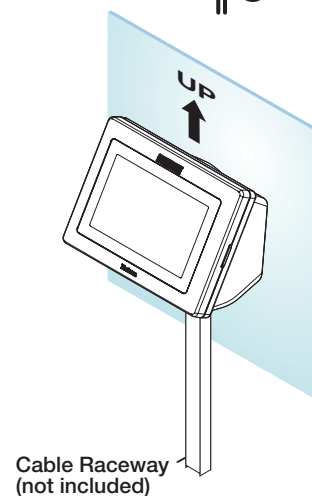
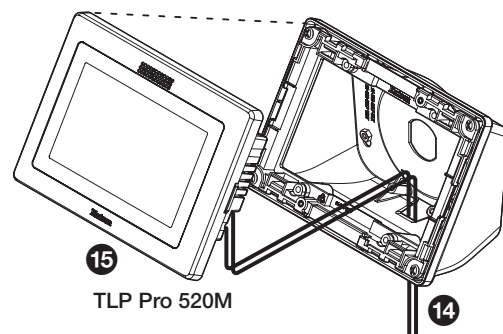
NOTE: The diagrams in this guide show the TLP Pro 520M. Mount the TLP Pro 320M in the same way.

- Secure the wall plate adapter to the SMB 1, using the four provided screws (13).
- Run cables through the cable cutout and connect them to the back panel of the touchpanel (14), see the user guide for your touchpanel at www.extron.com.

NOTE: If required, mount an adhesive raceway (not provided) to run the cable (see the figure below right).

- Press the touchpanel onto the wall plate adapter (15). Four catches hold it in place.
- If the bezel has been removed, snap it back into place.

NOTE: The bezel for the touchpanels can be removed using the provided Extron removal tool.



Extron Headquarters +1.800.633.9876 (Inside USA/Canada Only) Extron USA - West Extron USA - East +1.714.491.1500 +1.919.850.1000 +1.714.491.1517 FAX +1.919.850.1001 FAX	Extron Europe +800.3987.6673 (Inside Europe Only) +31.33.453.4040 +31.33.453.4050 FAX	Extron Asia +65.6383.4400 +65.6383.4664 FAX	Extron Japan +81.3.3511.7655 +81.3.3511.7656 FAX	Extron China +86.21.3760.1568 +86.21.3760.1566 FAX	Extron Middle East +971.4.299.1800 +971.4.299.1880 FAX	Extron Korea +82.2.3444.1571 +82.2.3444.1575 FAX	Extron India 1800.3070.3777 Inside India Only +91.80.3055.3777 +91.80.3055.3737 FAX
--	--	--	---	---	---	---	--