

BB 1 • Installation Guide

IMPORTANT:
Refer to www.extron.com for the complete TLP Pro 320M and TLP Pro 520M user guide and installation instructions before connecting the product to the power source.

Overview

The Extron BB 1 back box is used to mount an Extron TLP Pro 520M or TLP Pro 320M TouchLink® panel in a wall. This Installation Guide provides instructions for experienced, professional installers to retrofit the box in existing drywall or mount the back box in a new installation. For complete instructions about installing and calibrating the TouchLink panel, see the *TLP Pro 320M User Guide* or the *TLP Pro 520M User Guide*, at www.extron.com.

ATTENTION: The installation shall be in accordance with the applicable provisions of National Electrical Code ANSI/NFPA 70, article 725 and the Canadian Electrical Code part 1, section 16.

NOTE: The diagrams in this guide show the TLP Pro 520M. The TLP Pro 320M is mounted in exactly the same way.

Retrofit an Existing Installation (with the Drywall in Place)

1. Separate and remove the end plates from the U-plate.
2. Use the back surface of the U-plate to mark the position of the hole in the drywall. Use a level to ensure the U-plate is level.

NOTE: The hole is 5.67 inches (14.4 cm) wide x 3.8 inches (9.7 cm) high.

3. Using a drywall saw, carefully cut a hole for installing the touchpanel. Cut on the lines that you marked in step 2.
4. Insert the U-plate to test the size of the hole. If necessary, use a rasp or file to enlarge the hole.
5. Run the flexible cable conduit inside the wall. For a retrofit, the conduit should be attached to a knock-out hole in either the top or bottom end plate.

The BB 1 accepts both 0.5 inch and 0.75 inch conduit.

6. Run cables through the conduit to the installation site. Leave some slack to connect the conduit to the back box and the cables to the touchpanel.
7. Clear the flexible conduit and cables from the space behind the hole.
8. Insert the U-plate into the hole (see figure 1).

NOTE: The U-plate tabs sit on the outer surface of the drywall.

9. Pull back the flexible conduit and cables that were cleared out of the way in step 7 and loosely attach it to the knock-out hole in one of the end plates (see figure 2) using the locking nut.
10. Hold the bottom end plate at a slight angle and slide the front edge under the bottom of the U-plate until the end plate is inside the drywall (see figure 3).
11. Align the holes in the side flanges above the mounting screws on either side of the U-plate (see inset in figure 4).
12. Push the bottom end plate down over the mounting screw and then pull it forward so that the mounting screw sits in the slot of the end plate and the front of the end plate is in contact with the back surface of the drywall.

NOTE: Do not tighten the mounting screws. Although the end plates are only loosely attached to the U-plate, they will be firmly secured in place when the locking arms of the TLP Pro 520M are tightened (see [Mounting the Touchpanel](#) on the next page).

13. Repeat steps 10-12 to attach the top end plate to the U-plate.

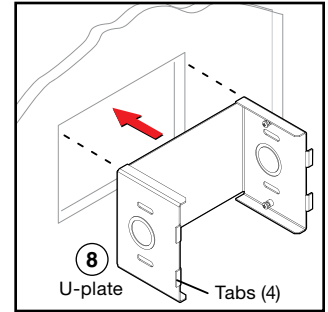


Figure 1.

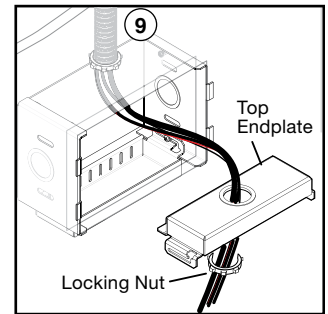


Figure 2.

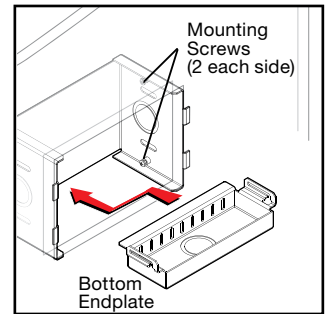


Figure 3.

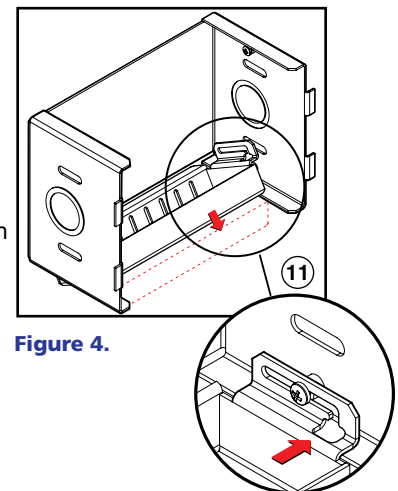


Figure 4.

BB 1 • Setup Guide (Continued)

14. Tighten the locking nut to secure the flexible conduit attached to the end plate in step 9.
15. Install the TouchLink panel (see [Mounting the Touchpanel](#) below).

New Construction Installation

To install the BB 1 at a new construction site, before the drywall is secured to the studs:

1. If necessary, secure the end plates to the U-plate (see steps 10 - 13 on the previous page)
2. Place the wall box in a suitable place with the tabs on the sides of the box flat against a vertical stud (see figure 5).
3. Secure the wall box to the stud (metal or wooden) using two nails or screws (see figure 5).
4. Run the flexible cable conduits to the box. Leave enough cable to provide slack for installing the TouchLink panel.
The BB 1 accepts both 0.5 inch and 0.75 inch conduit.
5. Attach the flexible conduit to one of the end plates or to the free side of the U-plate (see step 9 on the previous page).
6. Measure the position of the back box, and mark and cut a hole in the drywall where the box is placed.

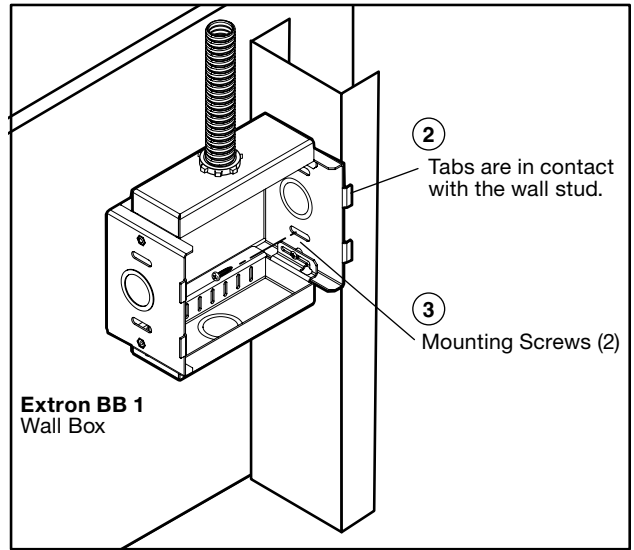


Figure 5.

NOTES:

- The hole is 5.67 inches (14.4 cm) wide x 3.8 inches (9.7 cm) high.
- The tabs of the wall box must be in contact with the front surface of the stud and the inner surface of the drywall.

7. Secure the drywall to the studs.

Mounting the Touchpanel

For complete instructions about installing and calibrating the TLP Pro 320M or TLP Pro 520M, see the *TLP Pro 320M User Guide* or the *TLP Pro 520M User Guide*, at www.extron.com.

1. Connect the cables to the back of the touchpanel (see the user guide). Feed excess cable back into the conduit.
2. Test the connections and configure the touchpanel (see the user guide).
3. Fold the locking arms into their recesses on the side of the touchpanel and slide the unit into the back box.
4. Tighten the screws on the front of the wallplate adapter to rotate and tighten the locking arms behind the top and bottom plates of the back box and hold the wallplate adapter in place (see figure 6). Do not overtighten the screws.

NOTE: As the locking arms tighten, they secure the endplates of the BB 1 in place by clamping them against the dry wall.

5. Snap the touchpanel into position (see figure 6).

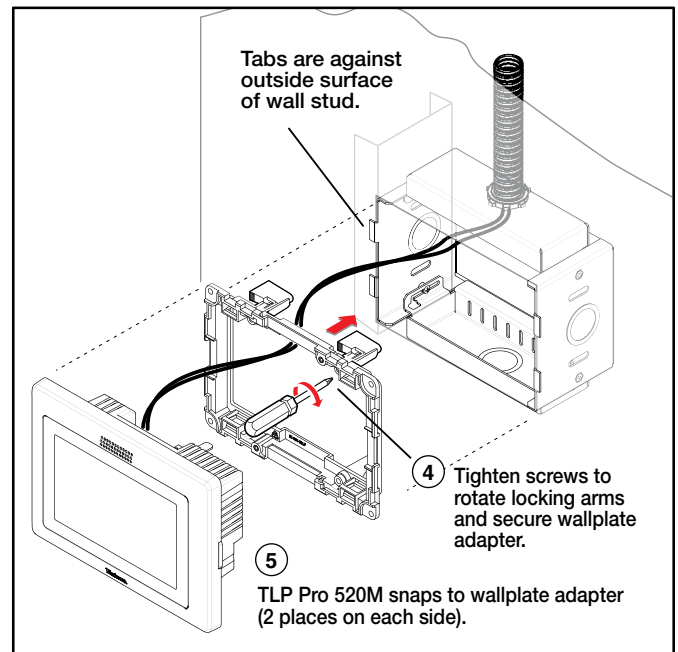


Figure 6.

Extron Headquarters +1.800.633.9876 (Inside USA/Canada Only) Extron USA - West Extron USA - East +1.714.491.1500 +1.919.850.1000 +1.714.491.1517 FAX +1.919.850.1001 FAX	Extron Europe +800.3987.6673 (Inside Europe Only) +31.33.453.4040 +31.33.453.4050 FAX	Extron Asia +65.6383.4400 +65.6383.4664 FAX	Extron Japan +81.3.3511.7655 +81.3.3511.7656 FAX	Extron China +86.21.3760.1568 +86.21.3760.1566 FAX	Extron Middle East +971.4.299.1800 +971.4.299.1880 FAX	Extron Korea +82.2.3444.1571 +82.2.3444.1575 FAX	Extron India 1800.3070.3777 Inside India Only +91.80.3055.3777 +91.80.3055.3737 FAX
--	---	--	---	---	---	---	--