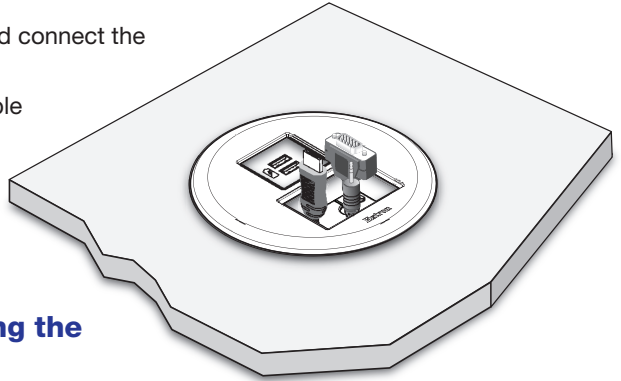


IMPORTANT:
Go to www.extron.com for the complete user guide, installation instructions, and specifications.

Cable Cubby® 100 • Installation Guide

This guide provides instructions for an experienced installer to install and connect the Extron Cable Cubby 100.

The Cable Cubby 100 is a compact furniture-mounted enclosure for cable access and connections. It can be installed quickly by using a common 4 inch (102 mm) hole saw.



Planning

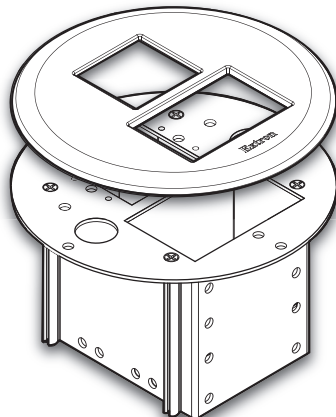
Check with local and state regulations before starting the installation:

- Ensure that the planned installation complies with building and electrical codes.
- Ensure that the planned installation complies with the Americans with Disabilities Act or other accessibility requirements.

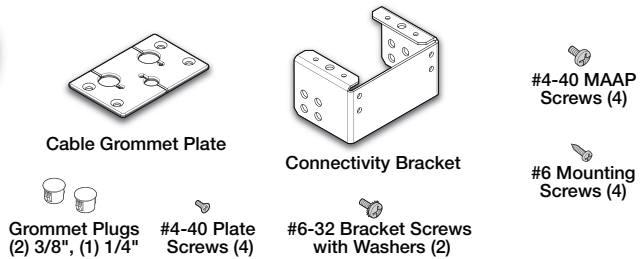
Check all parts and equipment before installation:

- Ensure that all parts are present in each kit.
- Ensure that necessary tools and equipment are available for the installation.

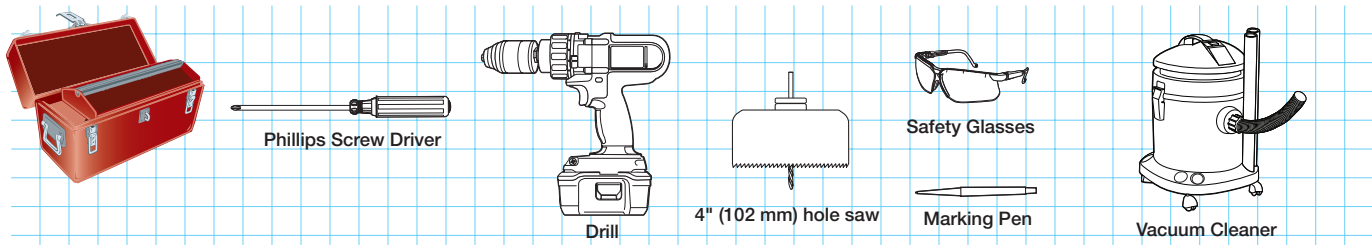
Kit Contents



Cable Cubby 100 with top bezel



Tools Required for Installation



Cable Cubby 100 • Installation Guide (Continued)

Step 1 - Prepare the Furniture

Follow the instructions below to cut a hole in the surface where the enclosure will be installed. Read the following information before making a cut.

Step 1a - Determine the best location for the enclosure.

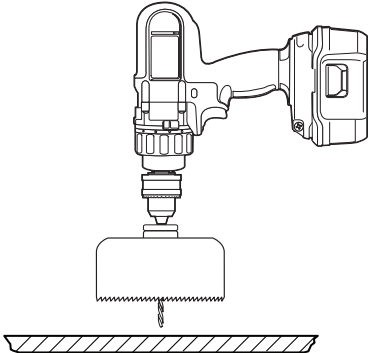
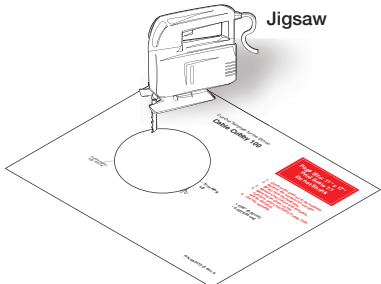
- Ensure that the location where the Cable Cubby is to be installed is convenient for as many users as possible.
- Ensure that there is ample space under the furniture for cables. Allow at least 36 inches of cable loop for each cable (see [Step 4 – Route and Connect Cables](#) on page 5).

Step 1b - Choose a method for cutting the hole in the furniture, and cut the hole.

CAUTION: Wear safety glasses when operating power equipment. Failure to comply can result in eye injury.
ATTENTION: Portez des lunettes de sécurité lorsque vous utilisez l'équipement électrique. Ne pas respecter cela peut conduire à une blessure à l'oeil.

ATTENTION: The opening in the furniture for the Cable Cubby should be cut only by licensed and bonded craftspeople. Exercise care to prevent scarring or damaging the furniture.
ATTENTION : L'ouverture dans la meuble pour le Cable Cubby devrait être coupée seulement par des artisans autorisés et qualifiés. Faites attention à ne pas faire de marques sur le meuble et à ne pas l'endommager.

Choose one of the following methods for cutting the hole:

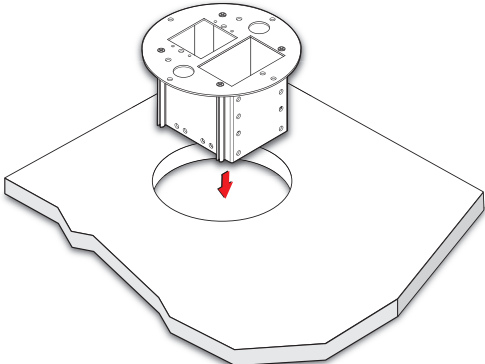
| Power Drill with 4 inch (102 mm) Hole Saw | Jigsaw and Paper Cut-Out Template | CNC Wood Router |
|--|--|--|
|  | <p>Dimensions and cut-out templates are available online on the product page at www.extron.com.</p>  | <p>If using a CNC wood router or other precise machinery, use the exact cut-out dimensions.</p> <p>Cut-Out Dimensions: 4 inch (102 mm) round diameter</p> |

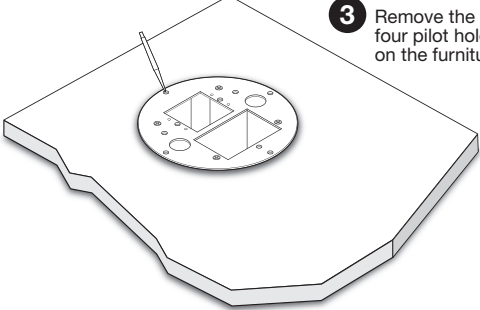
NOTE: Insert the Cable Cubby 100 into the hole to test the fit. If necessary, carefully enlarge the opening.

Step 1c - Drill the pilot holes into the furniture.

Follow these steps to drill the pilot holes for the Cable Cubby 100, then proceed to the next section.

- 1** Insert the Cable Cubby into the hole.


- 2** Position the Cable Cubby as you wish it to be installed on the furniture. With the Cable Cubby in place, mark the four outermost holes on the top surface.
- 3** Remove the Cable Cubby and drill four pilot holes at the marked locations on the furniture.



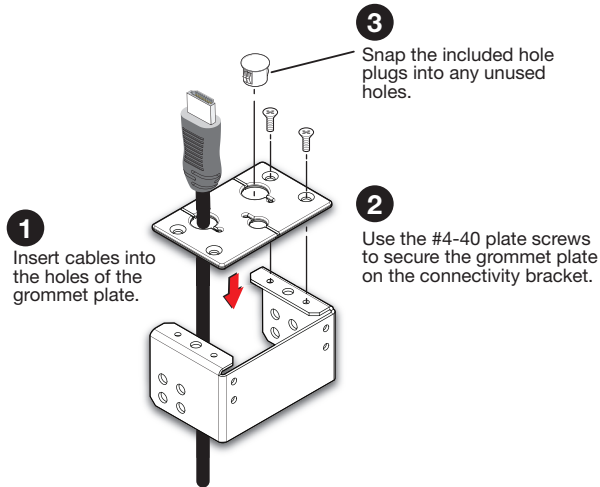
Step 2 - Install Connectivity Bracket and the MAAPs

Follow the steps below to populate the Cable Cubby enclosure.

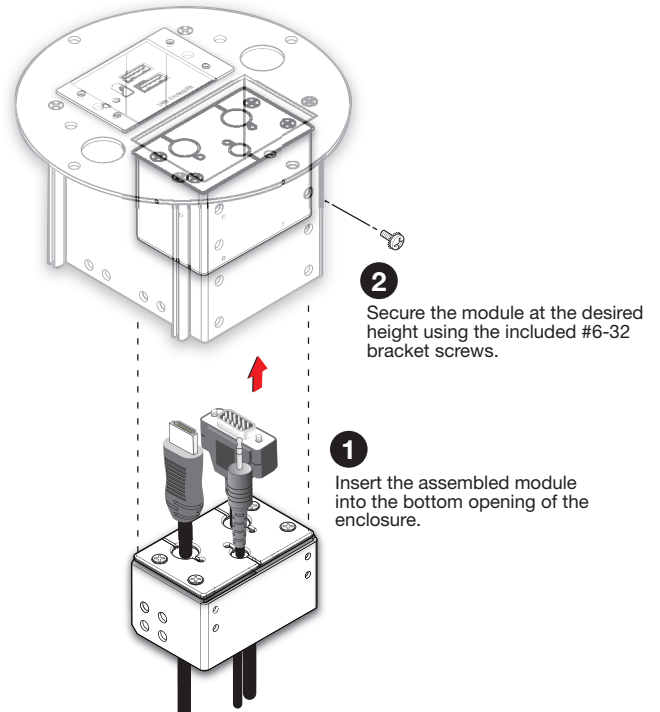
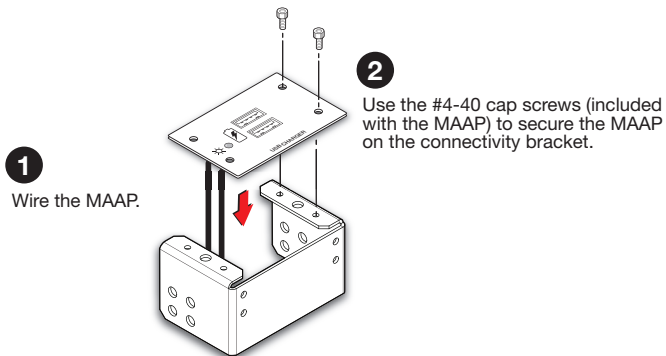
Step 2a – Assemble and Install the Connectivity Bracket

Follow the steps below to assemble and install the connectivity bracket with the included cable grommet plate or optional two-space MAAP module.

To assemble the Cable Grommet Plate (included):

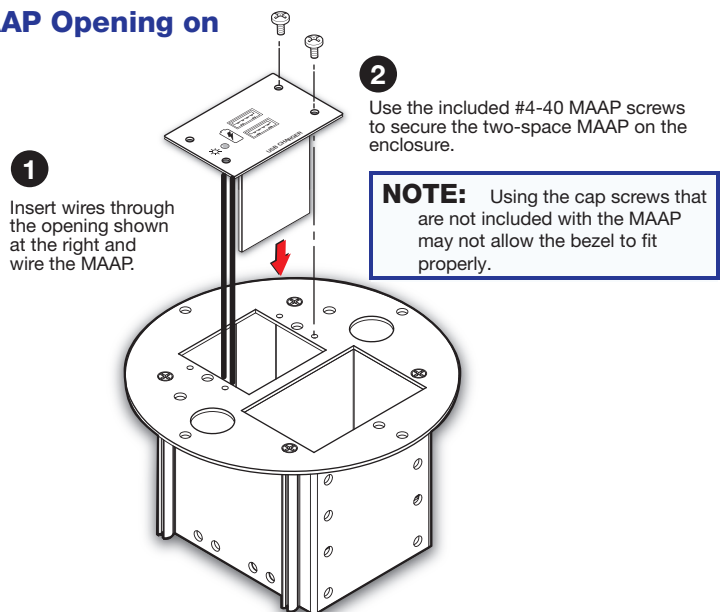


To assemble an optional MAAP module:



Step 2b – Install the MAAP plate(s) on the MAAP Opening on applicable models

Follow the steps at the right to install a double-space MAAP or two single-space MAAPs of your choice (see www.extron.com for MAAP options and wiring instructions). Install the MAAP in the MAAP opening as shown at right.

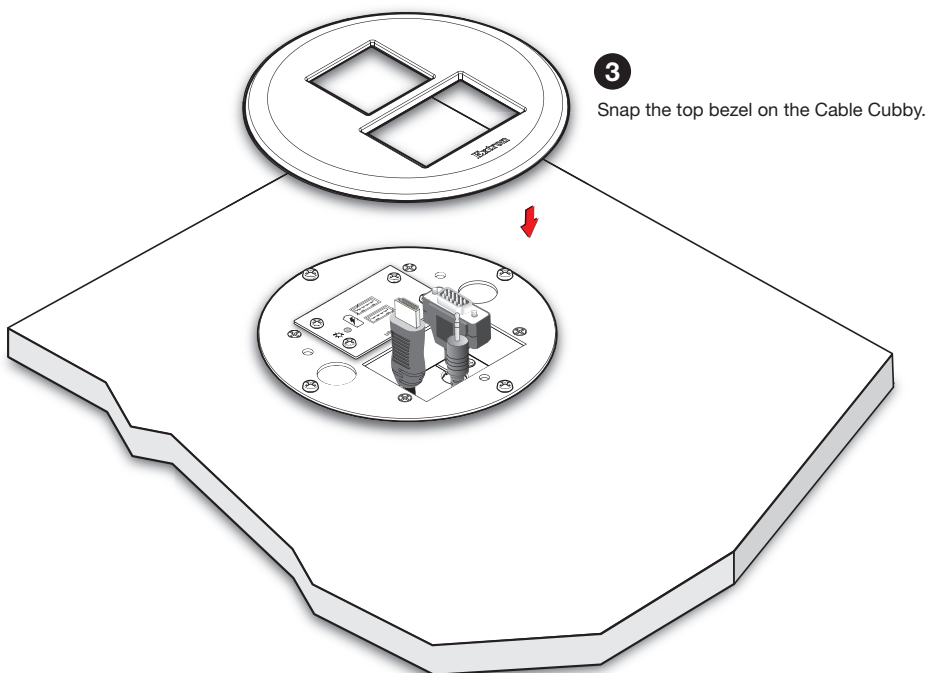
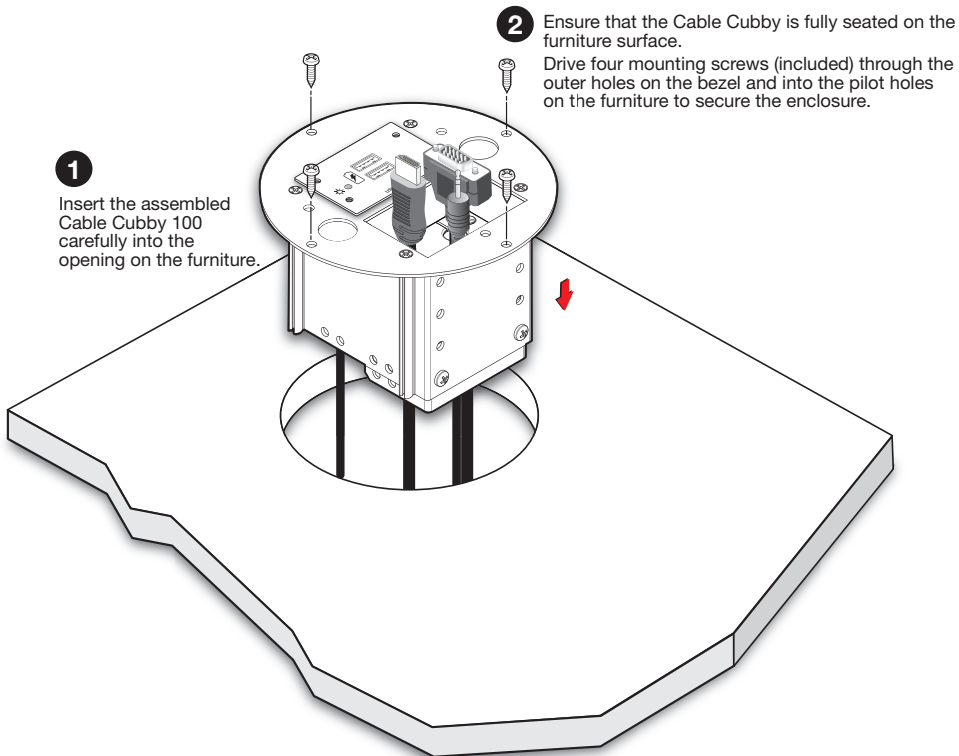


Step 3 - Mount the Cable Cubby in the Furniture

Follow the steps below to mount the Cable Cubby on the furniture.

CAUTION: The flanged edges of the top of the surface enclosure are sharp. These edges are also soft and may be easily nicked or bent. Exercise caution when handling the enclosure to prevent personal injury or damage to the enclosure.

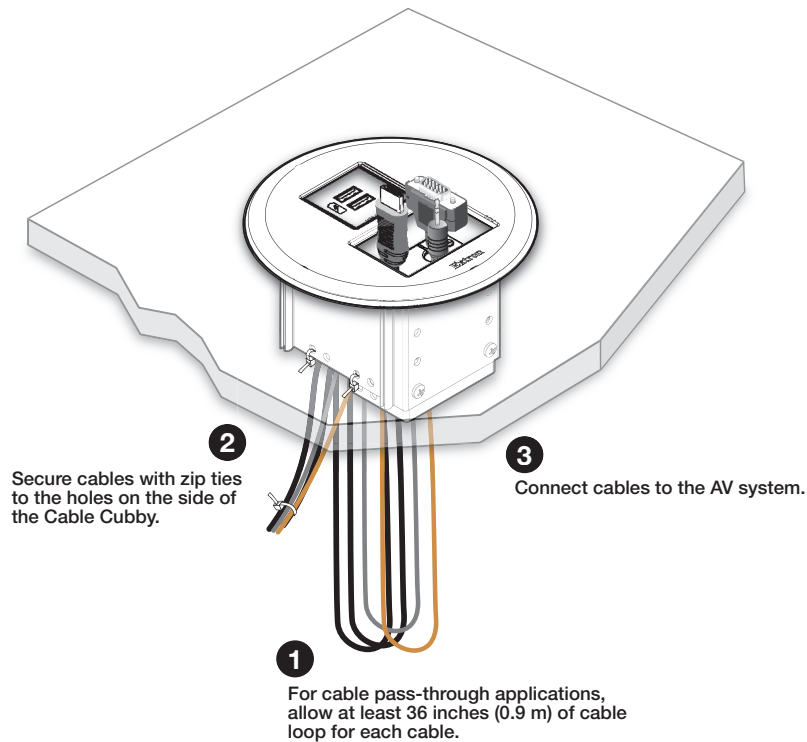
ATTENTION: Les extrémités à brides du haut de la surface du boîtier sont aiguisées. Ces extrémités sont aussi lisses et peuvent facilement être coupées ou pliées. Soyez prudents lorsque vous manipulez le boîtier afin d'éviter de l'endommager ou de vous blesser.



Cable Cubby 100 • Installation Guide (Continued)

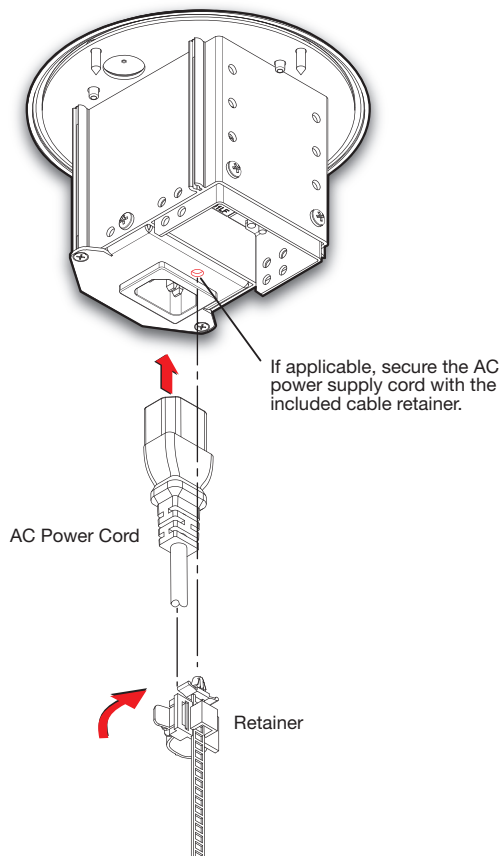
Step 4 - Route and Connect Cables

Follow the steps below to route and connect cables under the furniture.



Step 5 - Connect AC Cord to Non-US Powered Models

Follow the steps below to connect the AC Cord to the Non-US Powered Models.



Installation Checklist

Planning (page 1)

- Check with local and state regulations before starting the installation
- Check all parts and equipment before installation

Prepare the Furniture (page 2)

- Determine the best location for the enclosure
- Choose a method for cutting the hole in the furniture
- Drill the pilot holes into the furniture

Install the Connectivity Bracket and the MAAPs (page 3)

- Assemble and Install the Connectivity Bracket
- Install a MAAP plate(s) on the MAAP Opening

Mount the Cable Cubby in the Furniture (page 4)

- Mount the Cable Cubby flush with the furniture

Route and Connect Cables (page 5)

Connect AC Cord to Non-US Model (page 5)

68-2797-01
Rev. B
09 16

| | | | | | | | |
|--|--|--|---|---|---|---|--|
| Extron Headquarters +800.633.9876 Inside USA/Canada Only | Extron Europe +800.3987.6673 Inside Europe Only | Extron Asia +65.6383.4400 +65.6383.4664 FAX | Extron Japan +81.3.3511.7655 +81.3.3511.7656 FAX | Extron China +86.21.3760.1568 +86.21.3760.1566 FAX | Extron Middle East +971.4.299.1800 +971.4.299.1880 FAX | Extron Korea +82.2.3444.1571 +82.2.3444.1575 FAX | Extron India 1800.3070.3777 (Inside India Only) +91.80.3055.3777 +91.80.3055.3737 FAX |
| Extron USA - West +1.714.491.1500 +1.714.491.1517 FAX | Extron USA - East +1.919.850.1000 +1.919.850.1001 FAX | +31.33.453.4040 +31.33.453.4050 FAX | | | | | |