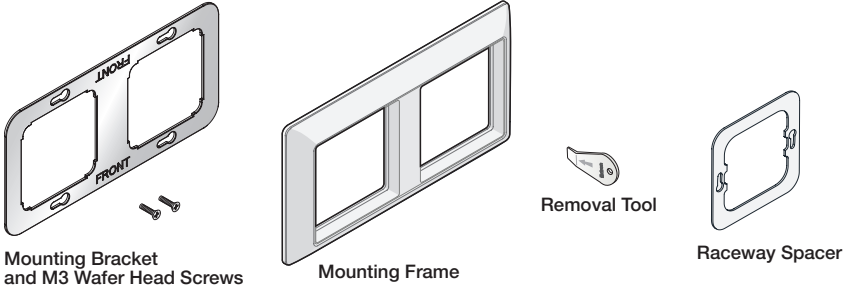


IMPORTANT:
Go to www.extron.com for the complete user guide, installation instructions, and specifications before connecting the product to the power source.

Flex55 100 Mounting Kit Installation Guide

Extron Flex55 100 Mounting Kits are designed to mount Extron Flex55 modules onto Extron Flex55 enclosures and EU junction boxes. The mounting kits include a mounting frame and bracket. Each bracket opening holds one full module or two half modules. The mounting kits accommodate Extron Flex55 modules such as Extron Flex55 SuperPlate 100, DTP T EU 4K DTP transmitter, and EBP EU button panels.

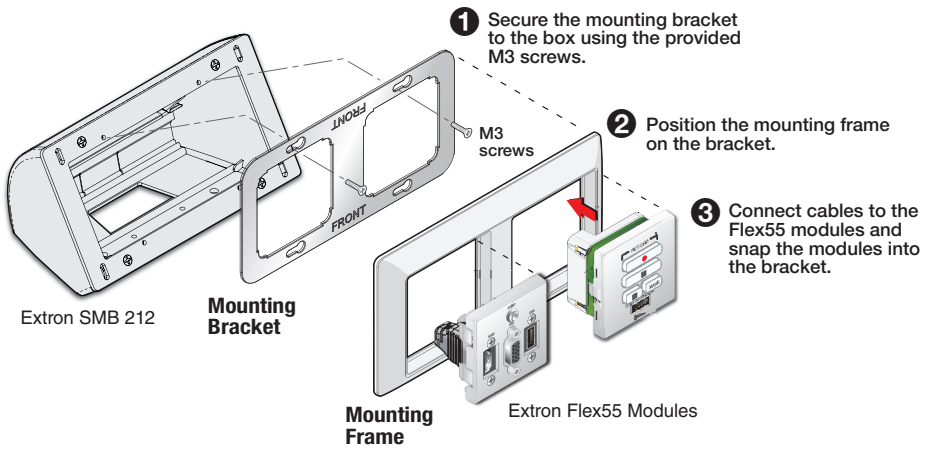
Kit Contents



Installation in a Surface Mount Box or Wall Box

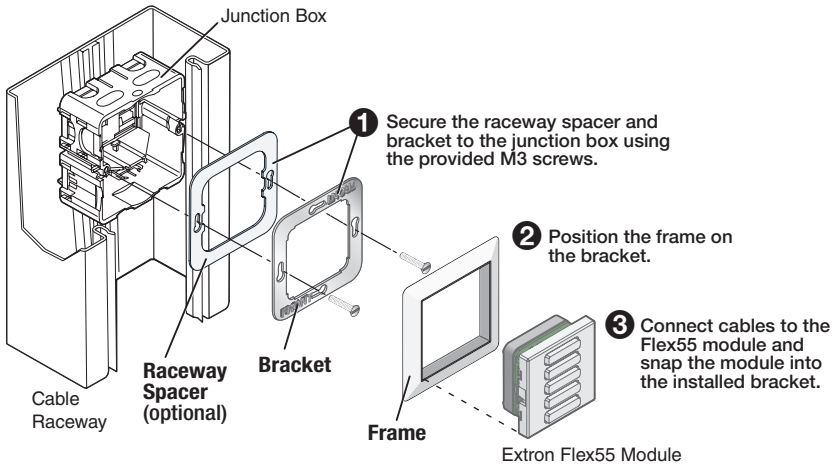
Follow these steps to install Flex55 modules in a surface mount box or in a wall box.

NOTE: Some modules are difficult to remove once installed. Make sure the wiring is correct before snapping in each module at step 3.



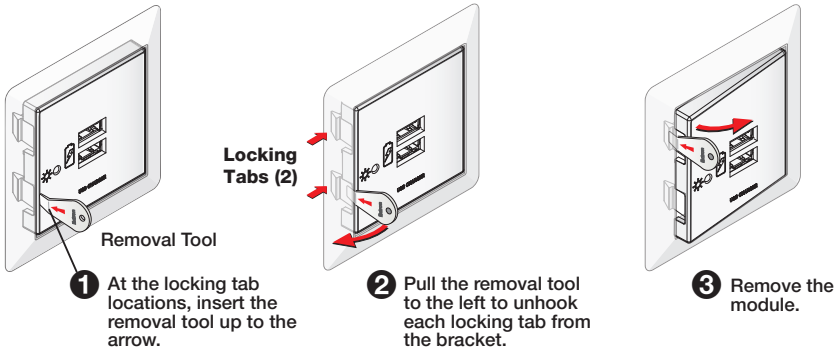
Installation in a European Raceway Channel

Follow these steps to install a Flex55 module into a raceway.

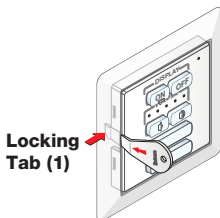


Removing a Flex55 Module

Follow these steps to remove an installed Flex55 module.



For modules with one locking tab, unhook the tab located at the center.



For half modules, the tab is located as shown below:

