

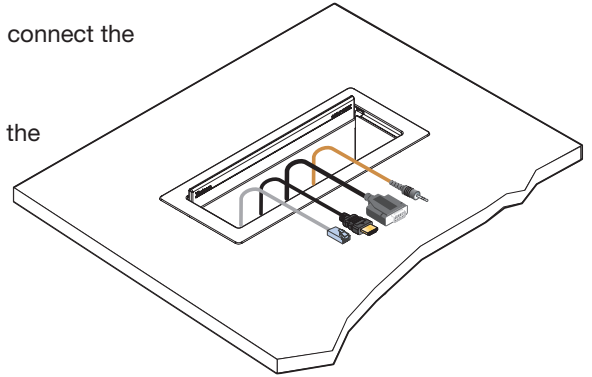
Cable Cubby 1202 and 1402 • Installation Guide

IMPORTANT:
Go to www.extron.com for the complete user guide, installation instructions, and specifications before connecting the product to the power source.

This guide provides instructions for an experienced technician to install and connect the Extron Cable Cubby 1202 and 1402.

The Cable Cubby units are furniture-mounted enclosures for cable access, connections, and AC power. Cables that are not in use can be stored out of the way while remaining connected to the presentation system.

NOTE: This product is intended for use only with Extron UL listed power modules (not included).



Planning

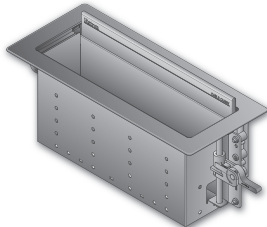
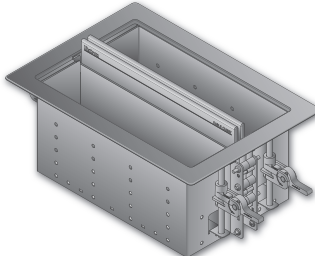
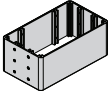




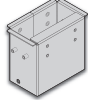
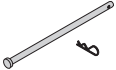

Check with local and state regulations before starting the installation

- Ensure that the planned installation complies with national and local building and electrical codes.
- Ensure that the planned installation complies with the Americans with Disabilities Act or other accessibility requirements.

Check all parts and equipment before installation

- Ensure that all parts are present in each kit.
- Ensure that necessary tools and equipment are available for the installation.

Kit Contents

	 Cable Cubby 1202	 Cable Cubby 1402
Connectivity Bracket 	1	2
#4-40 Module Screws 	4	8
AAP Frame Plate 	1	2
Cable Grommet Plate 	1	2
Hole Plugs 	6 (3/8"), 2 (1/4")	12 (3/8"), 4 (1/4")
Retractor Bracket 	1	2
Retractor Pin & Clip 	1	2
#6-32 Mounting Screws and Star Washers 	8	16

Cable Cubby 1202 and 1402 • Installation Guide (Continued)

Preparing the Table

Cut a hole in the surface where the enclosure will be installed. Read the following information before making a cut.

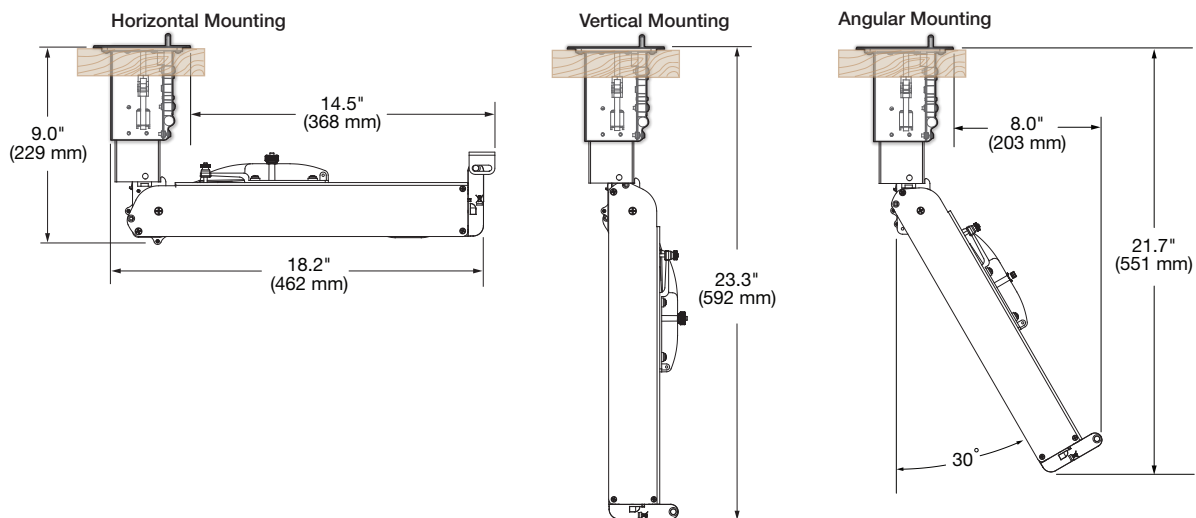
Determine the best location for the enclosure

- Ensure that the location where the Cable Cubby is to be installed is convenient for as many users as possible.
- Ensure that the edge on which the lid opens is oriented correctly.
- Ensure that there is ample space under the table for cables. Allow at least 36 inches of cable loop for each cable (see [Routing and Connecting Cables](#) on page 8).
- When installing Retractors in the Cable Cubby, ensure that there is enough space for the Retractor assembly under the table or furniture (see the Retractor dimensions in the images below or go to www.extron.com).

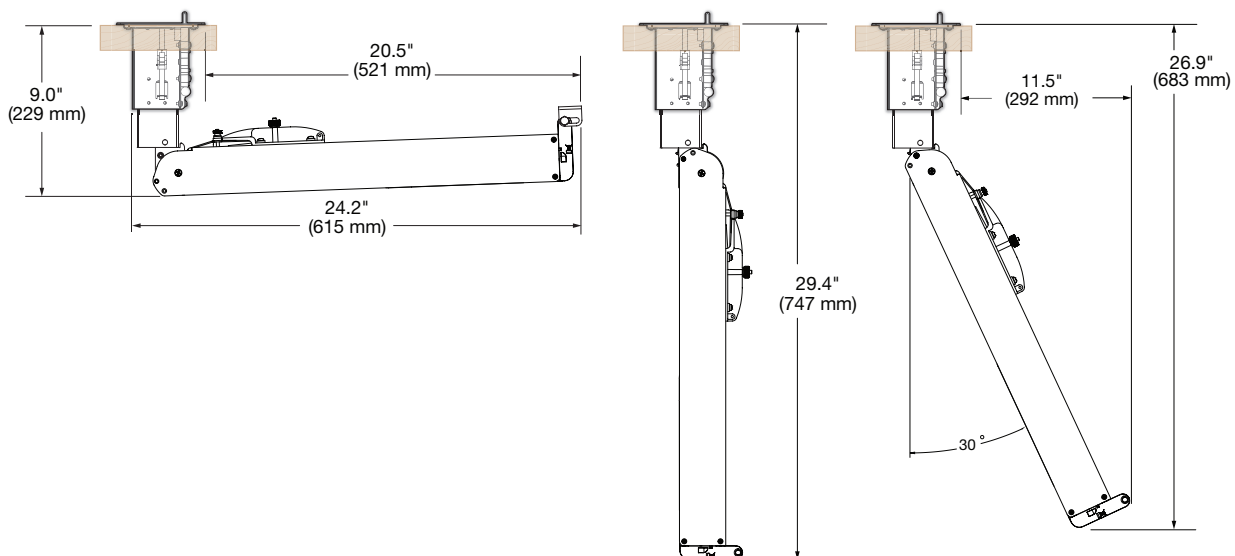
Retractor dimensions

NOTE: Shown with Cable Cubby 1202 enclosure

Retractor Series:



Retractor Series XL:



Choose a method for cutting the hole in the table

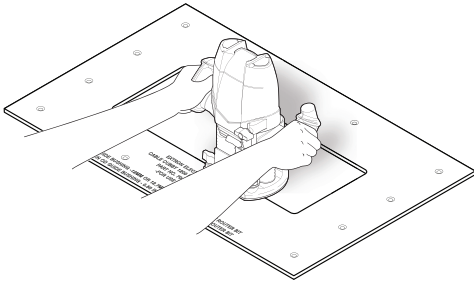
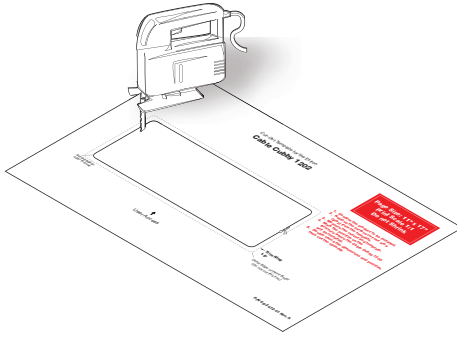
CAUTION: Wear safety glasses when operating power equipment. Failure to comply can result in eye injury.

ATTENTION : Portez des lunettes de sécurité lorsque vous utilisez l'équipement électrique. Ne pas respecter cela peut conduire à une blessure à l'oeil.

ATTENTION: The opening in the table for the Cable Cubby should be cut only by licensed and bonded craftspeople. Exercise care to prevent scarring or damaging the furniture.

ATTENTION : L'ouverture dans la table pour le Cable Cubby devrait être coupée seulement par des artisans autorisés et qualifiés. Faites attention à ne pas faire de marques sur le meuble et à ne pas l'endommager.

Choose one of the following methods for cutting the hole:

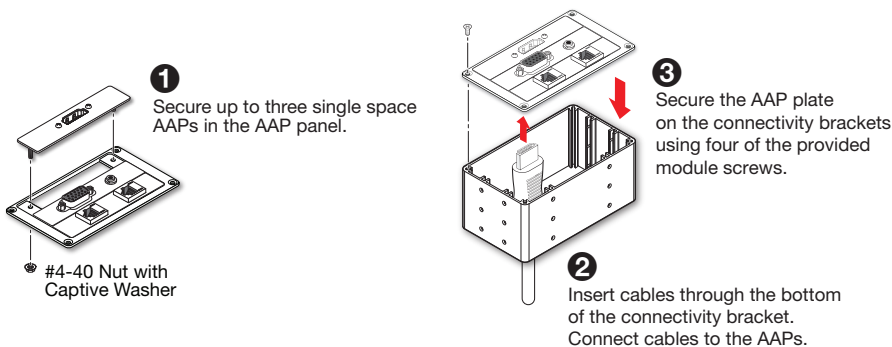
Hand Router and Routing Template	Jigsaw and Paper Cut-Out Template	CNC Wood Router											
		If using a CNC wood router or other precise machinery, use the exact cut-out dimensions for your model (see the table below).											
		<table border="1"> <thead> <tr> <th rowspan="2">Product</th> <th colspan="2">Cut-out Dimensions</th> </tr> <tr> <th>User Access Width</th> <th>Side Dimension</th> </tr> </thead> <tbody> <tr> <td>CC 1202</td> <td>10.00" (254.0 mm)</td> <td>4.00" (101.6 mm)</td> </tr> <tr> <td>CC 1402</td> <td>10.00" (254.0 mm)</td> <td>6.75" (171.5 mm)</td> </tr> </tbody> </table>	Product	Cut-out Dimensions		User Access Width	Side Dimension	CC 1202	10.00" (254.0 mm)	4.00" (101.6 mm)	CC 1402	10.00" (254.0 mm)	6.75" (171.5 mm)
Product	Cut-out Dimensions												
	User Access Width	Side Dimension											
CC 1202	10.00" (254.0 mm)	4.00" (101.6 mm)											
CC 1402	10.00" (254.0 mm)	6.75" (171.5 mm)											
Visit www.extron.com for Cable Cubby routing template part numbers and instructions.	Dimensions and cut-out templates are available online at www.extron.com .												

Preparing the Cable Cubby

Step 1 – Assemble Connectivity Modules

Connectivity modules allow you to populate the Cable Cubby enclosure with a combination of AAPs, cable pass-through, or Retractors. Follow the steps below to assemble the connectivity modules of your choice.

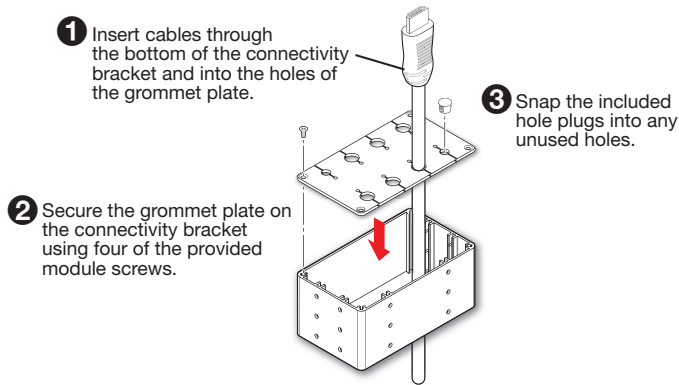
Option 1: AAP Module



NOTE: After assembling the module, proceed to **Step 2 – Install the Modules** on page 5.

Cable Cubby 1202 and 1402 • Installation Guide (Continued)

Option 2: Cable Pass-Through Module



NOTE: After assembling the module, proceed to [Step 2 – Install the Modules](#) on the next page.

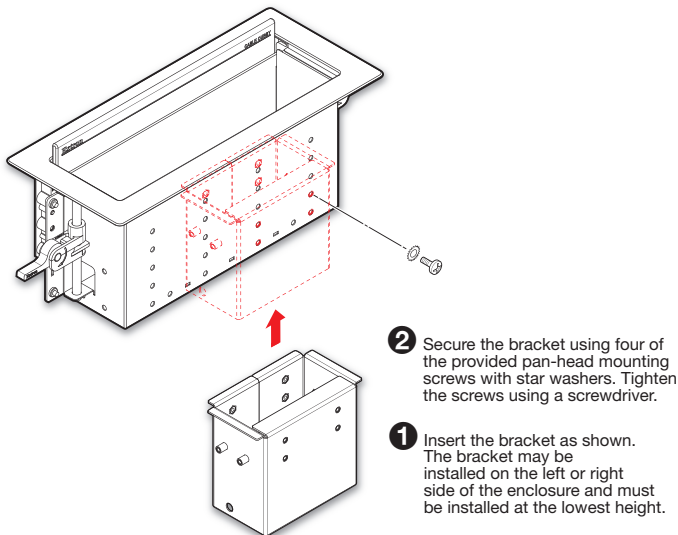
Option 3: Retractor Bracket

Use the Retractor Bracket to mount Retractors in the Cable Cubby enclosure. There are two options for installing the bracket (Options 3a and 3b, below).

NOTE: If installing more than one bracket in the Cable Cubby 1402, see [Retractor Configuration for Cable Cubby 1402](#) on page 7.

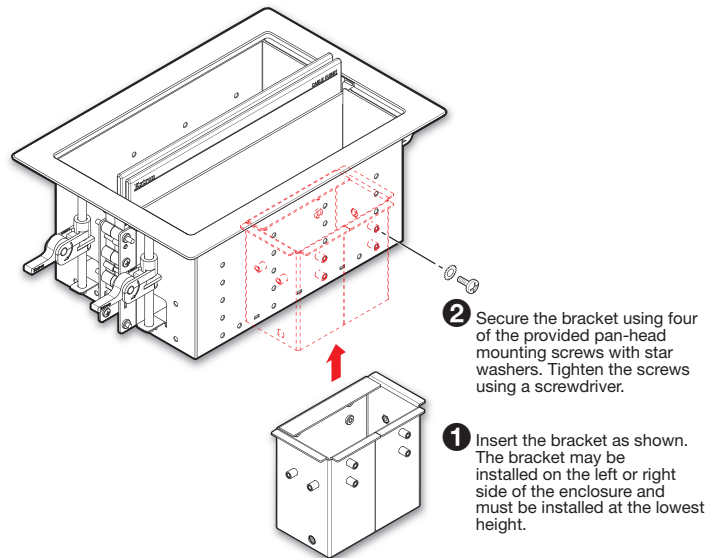
Option 3a

Use this option for the Cable Cubby 1202, and for vertical or angular Retractor mounting in a Cable Cubby 1402.



Option 3b

Use this option for horizontal Retractor mounting in a Cable Cubby 1402 only.



NOTES:

- After installing the bracket, proceed to [Step 2 – Install the Modules](#) on the next page to install the power module.
- After mounting the Cable Cubby on the table, install the Retractors (see [Installing Retractors](#) on page 7).

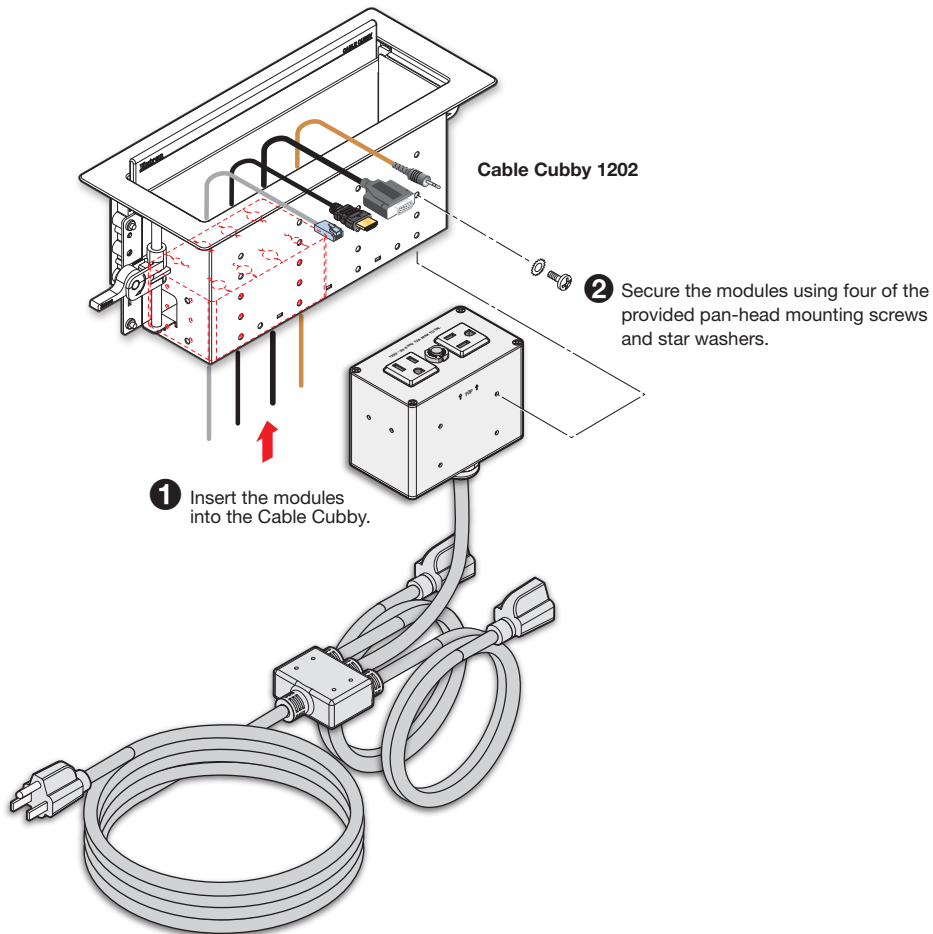
Cable Cubby 1202 and 1402 • Installation Guide (Continued)

Step 2 – Install the Modules

Determine where the connectivity modules and power module will be installed in the Cable Cubby. The modules may be installed on the left or right side of the enclosure and at various heights.

NOTES:

- Ensure that there is enough room above the modules for the Cable Cubby lid to close completely.
- Use a screwdriver to secure the modules with the screws.



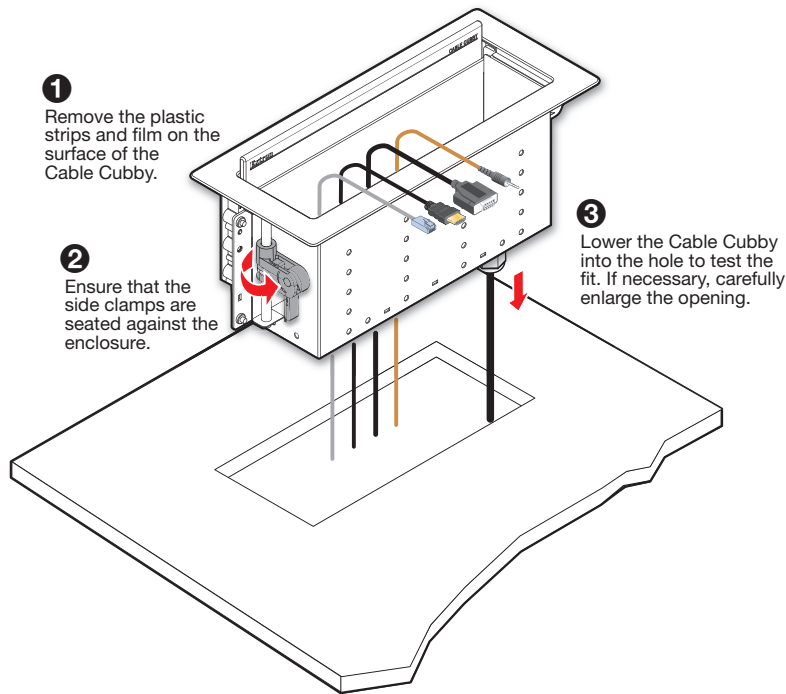
WARNING: Risk of Electric Shock. To ensure proper electrical grounding, use the provided #6-32 mounting screws with the star washers.

AVERTISSEMENT : Risque de choc électrique. Afin d'assurer une mise à la terre correcte, utilisez les fixations de mise à la terre #6-32 et les rondelles en étoile fournies.

Cable Cubby 1202 and 1402 • Installation Guide (Continued)

Mounting the Cable Cubby in the Table

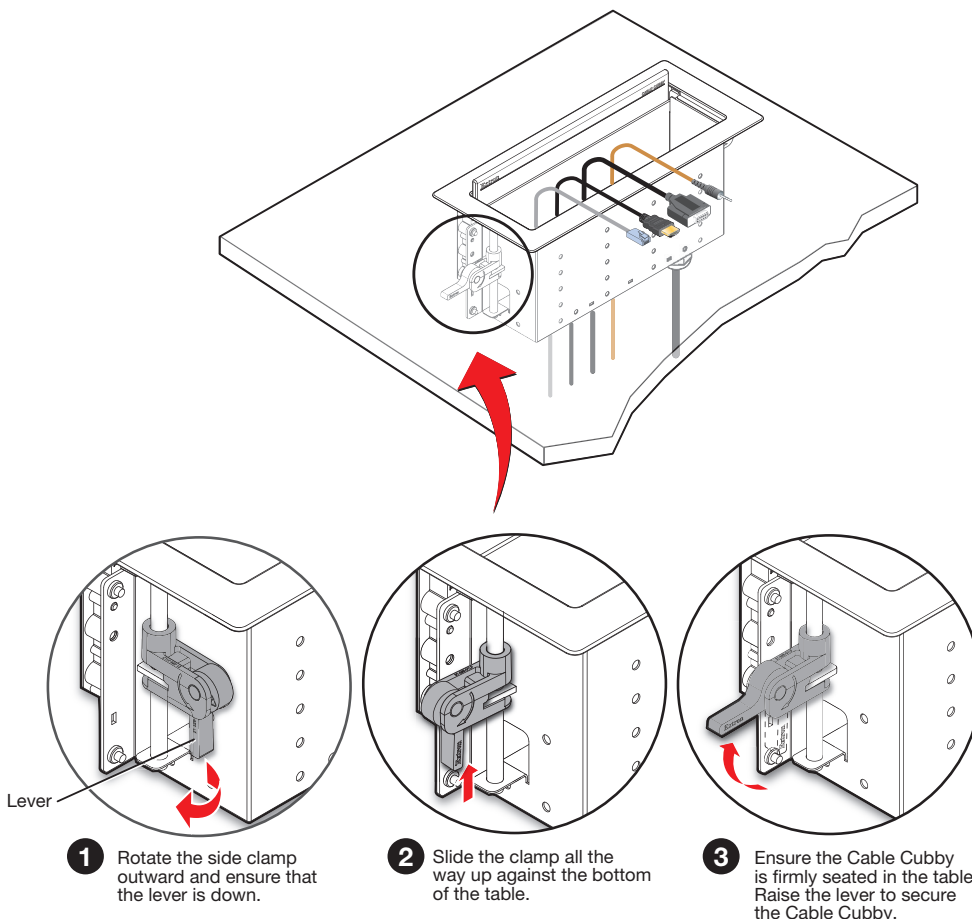
Step 1 – Mount the Cable Cubby flush with the table



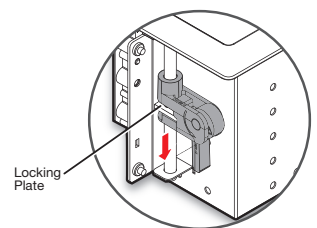
CAUTION: The flanged edges of the top of the surface enclosure are sharp. These edges are also soft and may be easily nicked or bent. Exercise caution when handling the enclosure to prevent personal injury or damage to the enclosure.

ATTENTION : Les extrémités à brides du haut de la surface du boîtier sont aiguisées. Ces extrémités sont aussi lisses et peuvent facilement être coupées ou pliées. Soyez prudents lorsque vous manipulez le boîtier afin d'éviter de l'endommager ou de vous blesser.

Step 2 – Under the table, adjust the side clamps on the enclosure

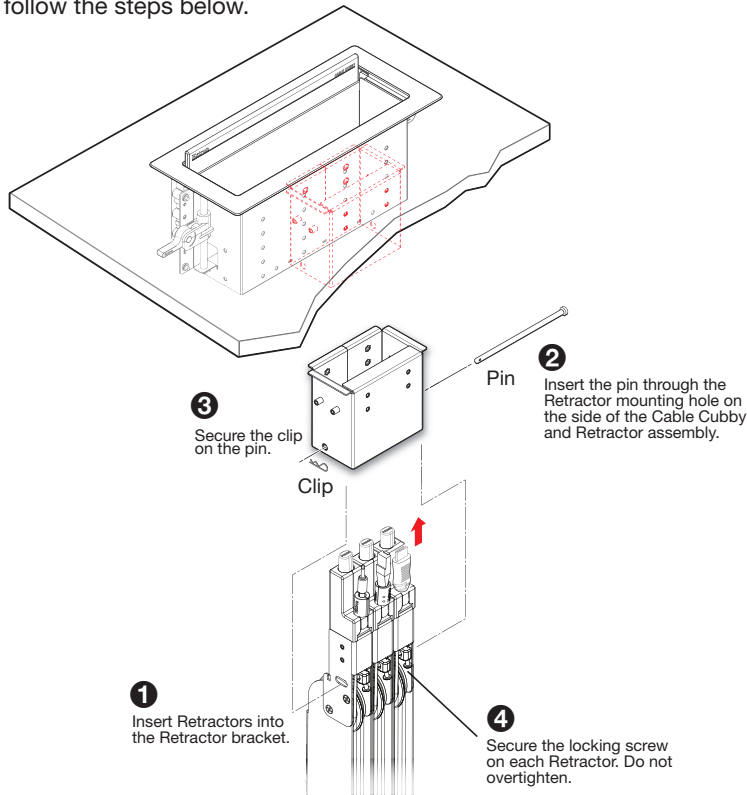


NOTE: To lower the side clamp, turn the lever down, then press and hold the locking plate while sliding down the clamp.

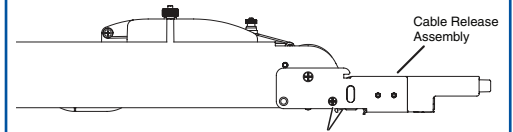


Installing Retractors

Follow the steps below to install Retractors. For horizontal or angular Retractor mounting, see the information at right, then follow the steps below.



Horizontal Mounting

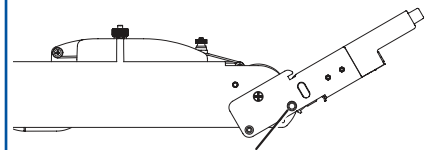


Remove two enclosure screws (one on each side) from this position. Then, mount the Retractors as shown at left.

See the *Cable Retractor Series/2 Setup Guide*, available on the Extron website, for additional steps.

Angular Mounting

Remove the enclosure screws as shown above, then follow this step:

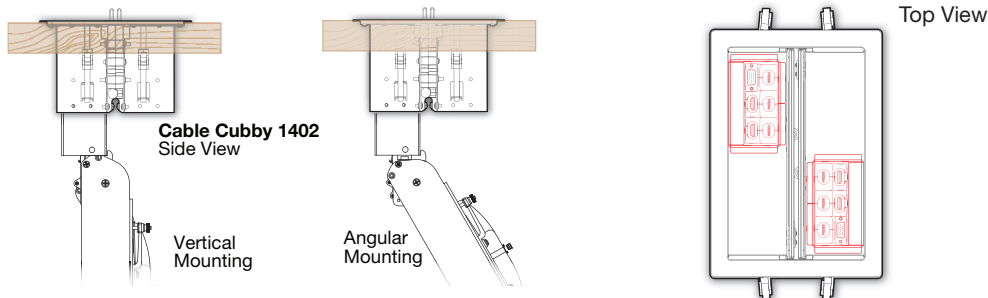


Move the cable release assembly upward until the angular mounting hole is visible. Reinstall the enclosure screws in this hole (both sides).

Retractor Configuration for Cable Cubby 1402

Vertical or angular mounting

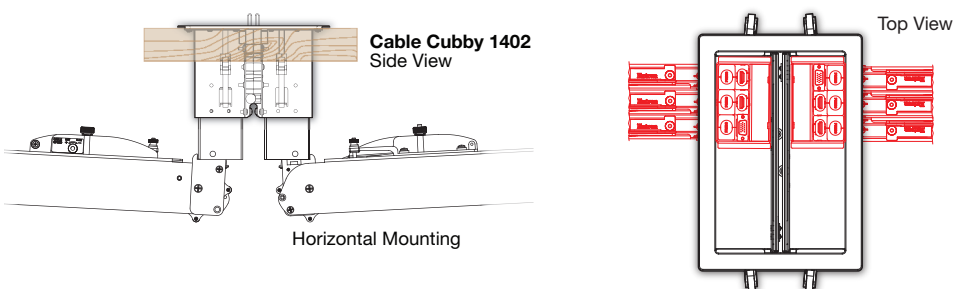
The included brackets must be installed diagonally in the enclosures as shown below.



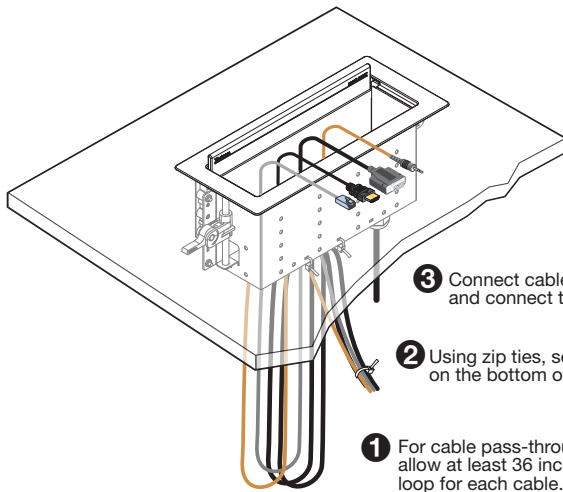
Horizontal mounting

Install the brackets as shown below.

NOTE: Retractors may also be mounted using the Quad Bracket (see www.extron.com for part numbers).



Routing and Connecting Cables



- 3** Connect cables to the AV system and connect the AC power cord.
- 2** Using zip ties, secure cables to the holes on the bottom of the Cable Cubby.
- 1** For cable pass-through applications, allow at least 36 inches (0.9 m) of cable loop for each cable.

CAUTION:

Risk of Electric Shock.

This equipment must be grounded.

ATTENTION :

Risque de choc électrique.

Cet équipement doit être fixé au sol.

NOTE:

Ensure that there is no tension on the power cable.

Installation Checklist

- Planning (page 1)**
 - Check with local and state regulations before starting the installation.
 - Check all parts and equipment before installation.
- Preparing the Table (page 2)**
 - Determine the best location for the enclosure.
 - Choose a method for cutting the hole in the table.
- Preparing the Cable Cubby (page 3-5)**
 - Assemble connectivity modules (page 3).
 - Install the modules (page 5).
- Mounting the Cable Cubby in the Table (page 5)**
 - Mount the Cable Cubby flush with the table.
 - Adjust the side clamps under the table.
- Installing Retractors (page 7)**
- Routing and Connecting Cables (page 8)**

For information on safety guidelines, regulatory compliances, EMI/EMF compatibility, accessibility, and related topics, see the [Extron Safety and Regulatory Compliance Guide](#) on the Extron website.

© 2017-2020 Extron Electronics — All rights reserved. www.extron.com

All trademarks mentioned are the property of their respective owners.

Worldwide Headquarters: Extron USA West, 1025 E. Ball Road, Anaheim, CA 92805, 800.633.9876

68-3552-01 Rev. A
05 20