

IMPORTANT:
Go to www.extron.com for the complete user guide and installation instructions before connecting the product to the power source.

Mounting the Touchpanel

The touchpanels can be wall-mounted, either using a UL-listed junction box, an external wall box, or directly into drywall or furniture. Suitable mounting accessories can be found at www.extron.com.

ATTENTION:

- Do not install the touchpanels in a fire resistant rated wall or partition assembly.
- Ne pas installer les écrans tactiles dans un mur résistant au feu ou une cloison.
- All structural steps and electrical installation must be performed by qualified personnel in accordance with local and national building codes and electrical codes.
- Toute étape structurelle et installation électrique, doit être effectuée par un personnel qualifié, conformément aux codes du bâtiment, aux codes incendie et sécurité, et aux codes électriques, locaux et nationaux.

With a Wall Box or Junction Box

Some local building codes require the touchpanel to be mounted in a junction box. Junction boxes or wall boxes must be purchased separately.

With a wall box

1. Install a junction box or wall box (see figure 1, ①), following the instructions provided by the manufacturer.
2. Fasten the mounting plate to the wallbox (②) with the provided screws. Use mounting holes that are appropriate to the junction box you are using (see figure 2).

NOTES: Extron provides:

- Four 3/4" #6-32 Philips pan head screws for mounting to US junction boxes
- Two 16 mm M 3.5 Philips pan head screws for mounting to MK junction boxes
- EU junction boxes are usually provided with their own screws.

3. Run and connect cables to the back of the touchpanel (see **Rear Panel Features** on the following page).
4. The mounting plate has four hooks (③), one in each corner. Position the touch panel so that the four mounting slots in the rear of the touchpanel align (see figure 3, ④, on the following page) with these hooks.
5. Move the touchpanel inward and downward so that touchpanel sits securely on the hooks and the tongue at the bottom of the mounting plate (see inset, figure 1, ④) sits in the groove in the bottom of the touchpanel (⑤).
6. Fasten the touchpanel to the mounting plate with the lock screw (⑥).

Without a junction box

If the wall box is not required by local building codes, you can mount the touchpanel directly into drywall.

1. Place the mounting plate against the wall or furniture in a suitable location and ensure that it is level. Use the mounting plate as a template to mark the wall.
2. Cut a hole 3.5 inches (89 mm) wide x 2.0 inches (51 mm) high to pass cables through the wall.
3. Use the MK slots and drill the two pilot holes (figure 2). Extron recommends using two Molly bolts or SnapToggle bolts.
4. Secure the mounting plate to the wall (figure 1, ②).
5. Complete the installation as described in steps 3 through 6 in the previous section.

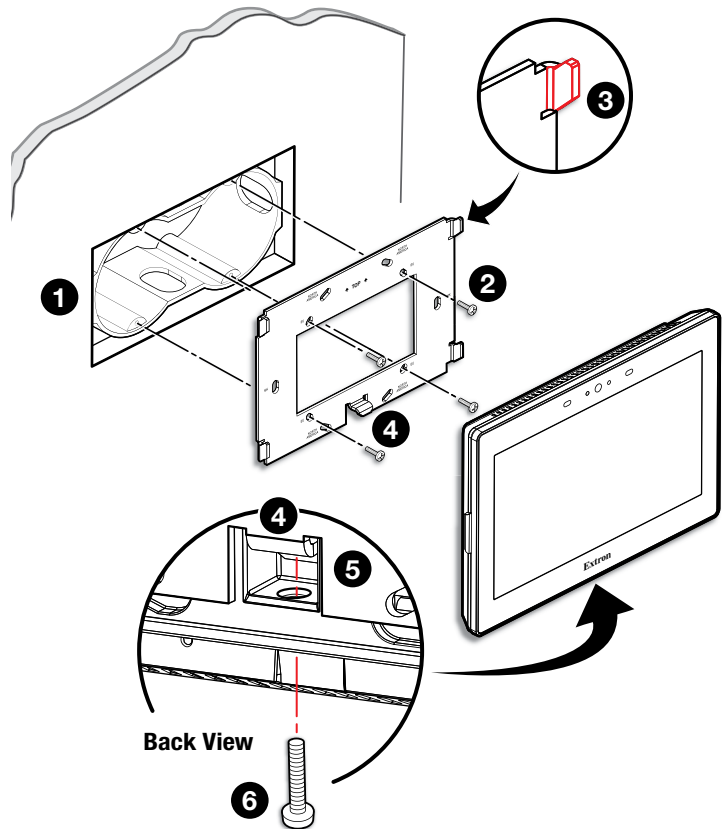


Figure 1. Mounting the Touchpanel with a Junction Box

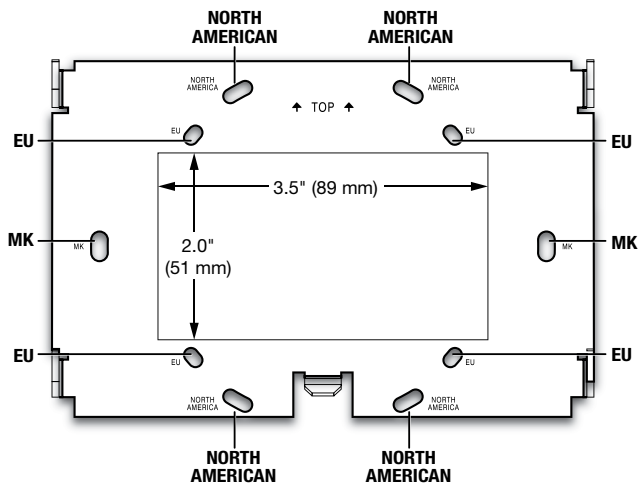


Figure 2. Touchpanel Mounting Plate

Rear Panel Features

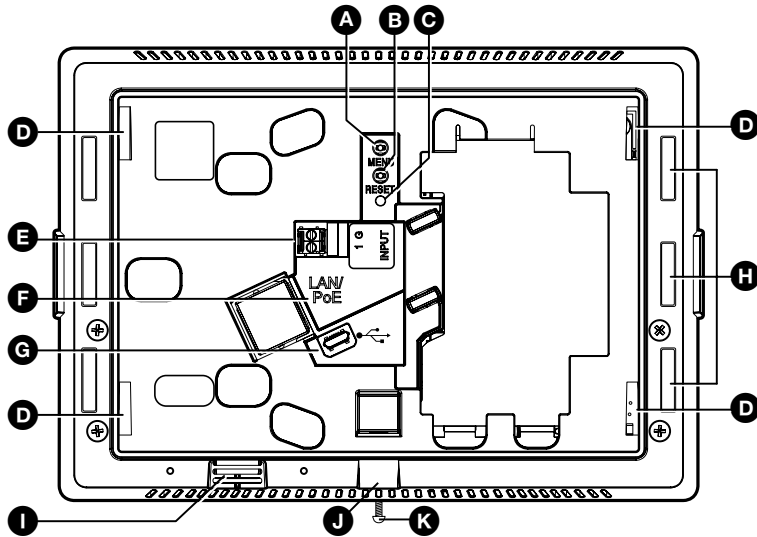


Figure 3. Rear Panel

- A Menu Button** — Allows user to enter or exit the setup menu.
- B Reset Button** — Allows the user to carry out a factory firmware reset.
- C Reset LED** — Not used in this application.
- D Mounting Slots** — Four, one in each corner. The hooks on the corners of the mounting plate (see [figure 1, 3](#), on the previous page) fit into these slots for wall mounting.
- E Digital Input Monitoring Port** — This two-pole captive screw port (1 = signal and G = ground) monitors digital input with or without a +5 VDC pull-up.
- F LAN/PoE Connector** — Connect the touchpanel to a PoE power injector (not provided) using a twisted pair cable, terminated with an RJ-45 connector. Connect the power injector to the LAN through a network switch. An Extron IP Link Pro control processor must also be connected to the same network as the TouchLink Pro touchpanel.

ATTENTION:

- The touchpanel is Power over Ethernet (PoE 802.3af, class 3) compliant. Do not power on the touchpanels until you have read the Attention in the “Connecting Power” section of the *TLP Pro 525, 725, and 1025 Series User Guide*.
- L’écrans tactiles est compatible avec l’alimentation POE via Ethernet (PoE 802.3af, classe 3). Ne branchez pas les écrans tactiles avant d’avoir lu la mise en garde dans la section « Connecting Power » du *TLP Pro 525, 725, and 1025 Series User Guide*.

NOTE: The touchpanel is shipped without a power injector. The power injector must be purchased separately.

Figure 4 shows the Extron XTP PI 100. Your power injector may look different.

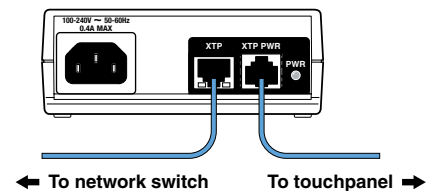


Figure 4. XTP PI 100

- G USB Port** — Compatible with USB 2.0.
- H Rear Panel Status Lights** — Six, three on each side of the panel.
- I Speaker** — A single speaker provides audible feedback for the user.
- J Slot for Mounting Plate** — The tongue at the bottom of the mounting plate (see [figure 1, 4](#), on the previous page) fits into this slot, for wall mounting.
- K Mounting Screw** — Tightens against the tongue of the mounting plate to secure the touchpanel.

Configuration

1. When the device is powered on for the first time, select **Zoom Rooms Controller** and click **Next**.

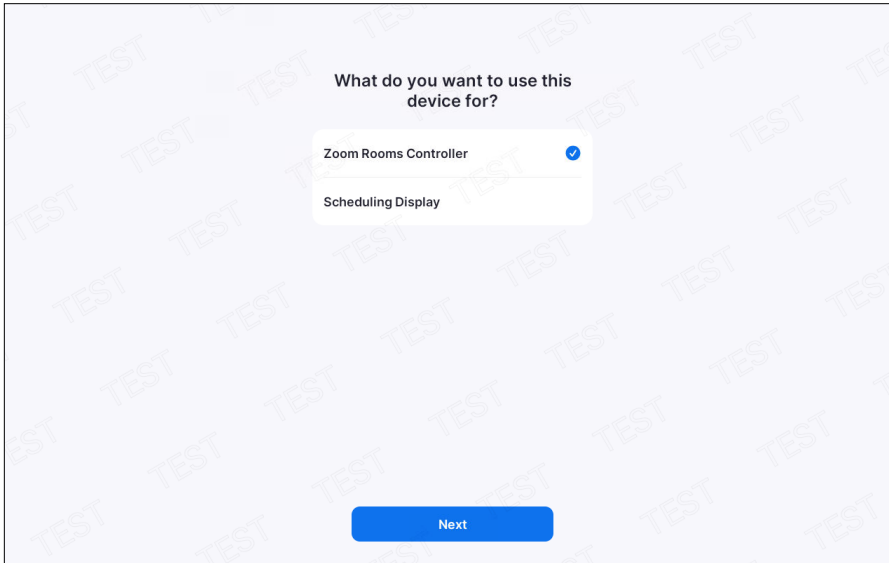


Figure 5. Select a Use for the Device

2. Click the settings icon (figure 6, **1**).

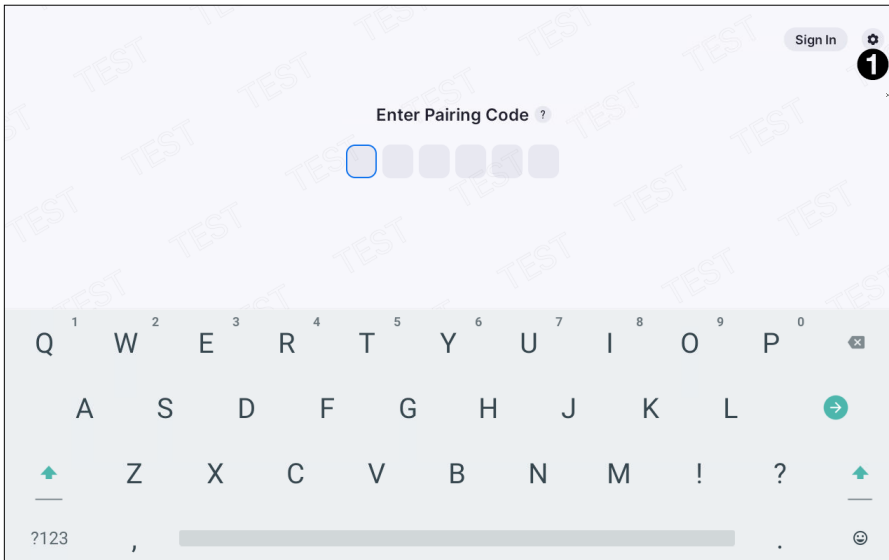


Figure 6. Click Settings Icon

3. Click **System Settings** (see figure 7, ❶).

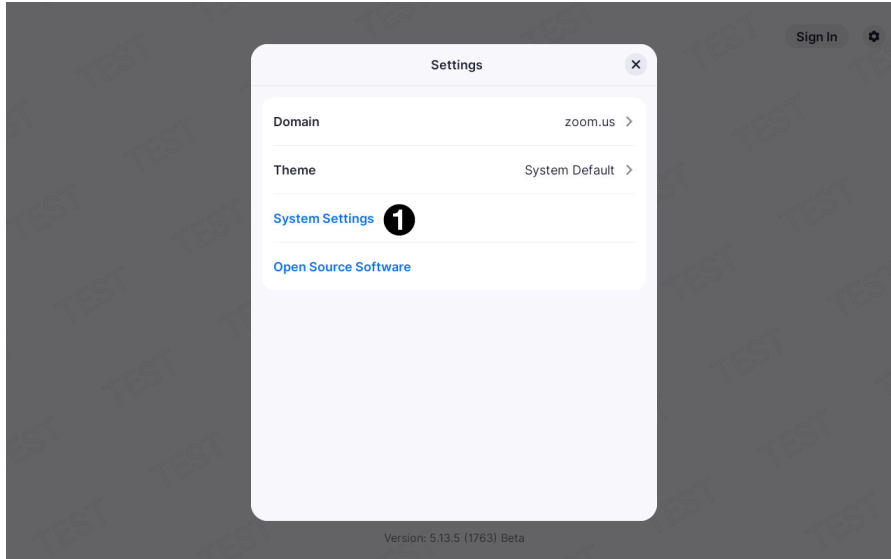


Figure 7. Settings Menu

The Settings menu opens.

4. Click **System** (see figure 8, ❶).

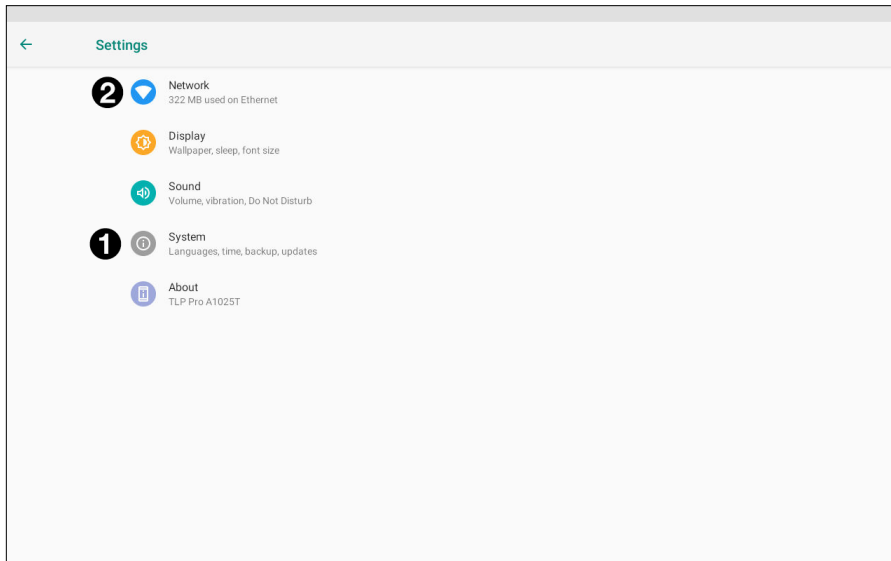


Figure 8. Settings Menu

The System menu allows you to configure Date & Time and Language.

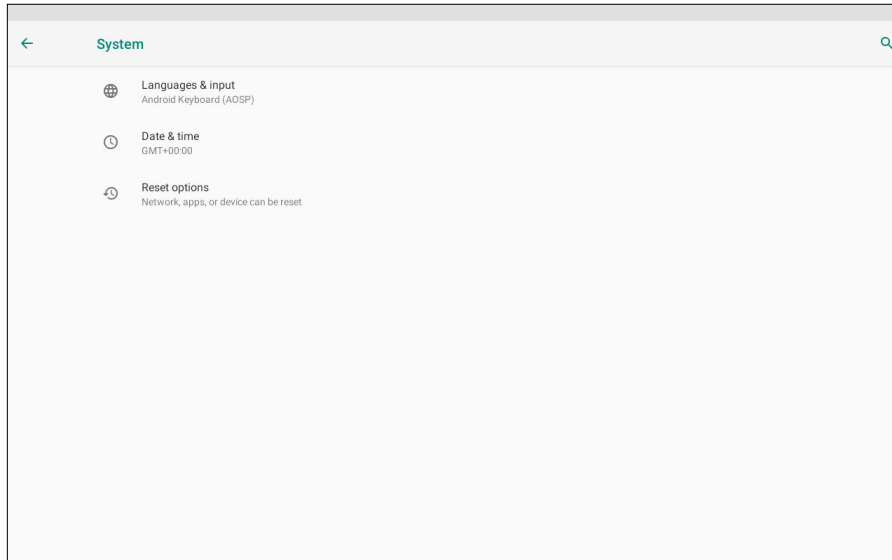


Figure 9. System Menu

5. Click **Languages & input** and use the options to select the language used by the application.
6. Return to the **System** menu and click **Date & time**. Use the options to set date and time automatically, or to set date, time, and time zone manually. You can also toggle between a 12-hour or 24-hour clock.
7. Return to the **Settings** page and click **Network** (see [figure 8](#), ②, on the previous page).
8. Use the toggle switch to select DHCP enabled or disabled.

If DHCP is enabled, the unit Host Name can be configured. All other network settings are read-only.

If DHCP is disabled, consult your network administrator to obtain a valid network IP address, Gateway address, Subnet mask, and DNS server.

NOTE: For more information about using the setup menu to configure the touchpanel, see the *Zoom Room Controller User Guide*, which is available at www.extron.com.

Updating Firmware

1. Open Toolbelt.
2. Discover or manually add the device.

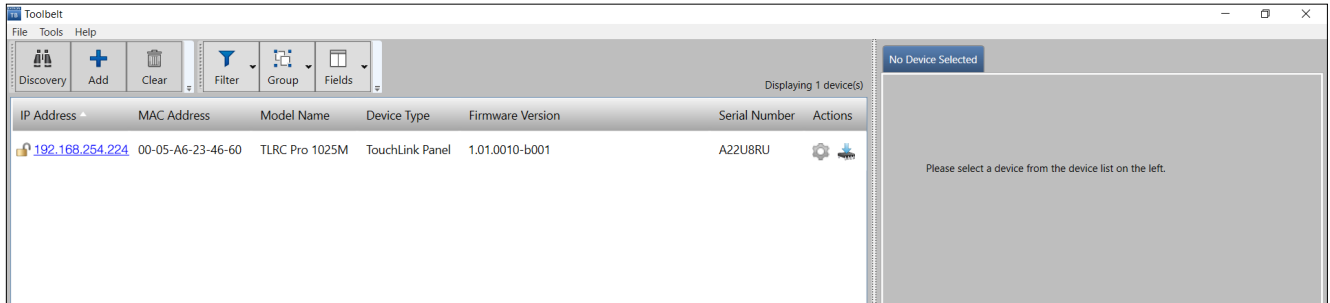


Figure 10. Toolbelt – Discover Devices

3. Select one or more devices to update from the Device list.
 - **Single device selection** — **<Right click>** on a single device and select **Update Firmware**.
 - **Multiple device selection** — to select multiple devices:
 - a. Hold down **<Shift>** and click on a range.
 - b. **<Right click>** and select **Update Firmware** or click on the **Update Firmware** icon in the Actions column.
4. Open the Firmware Uploader window by clicking **Tools > Firmware Uploader...**

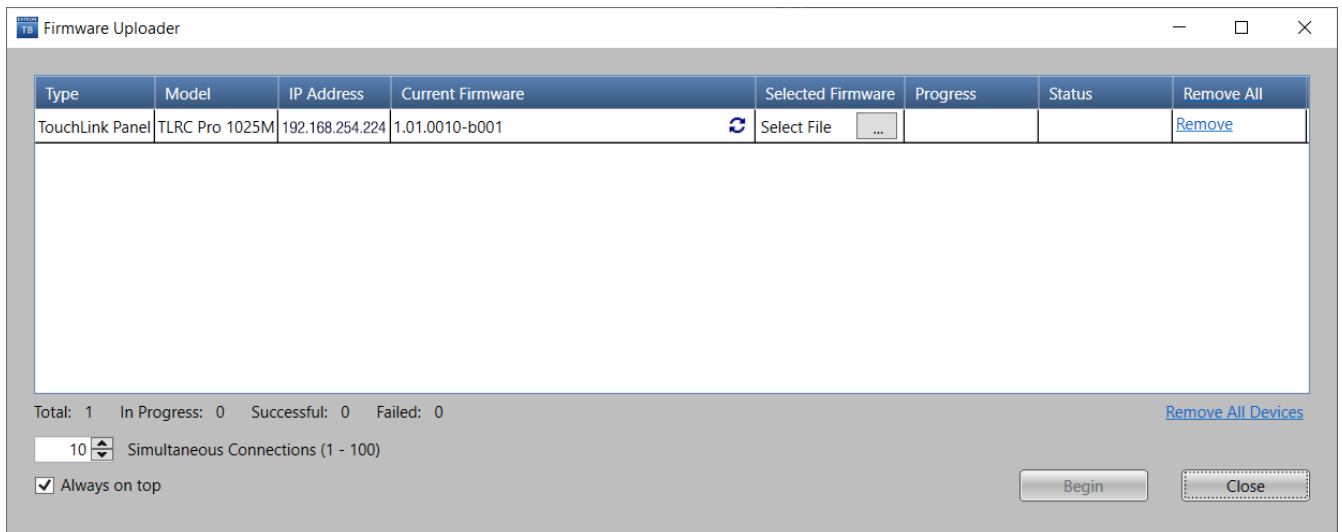


Figure 11. Toolbelt – Firmware Loader

5. Enter the credentials for each device if prompted.
6. Click **Begin**. Firmware Uploader begins to upload the selected firmware to the selected device(s).

The update process goes through the following states:

- **Idle** — no upload taking place
- **Uploading** — pre-installation
- **Verification** — start of installation
- **Installation** — installing selected firmware version on device
- **Completion** — firmware upload successful

For more information about using Toolbelt to update firmware, see the *Toolbelt Help File* at www.extron.com.

For information on safety guidelines, regulatory compliances, EMI/EMF compatibility, accessibility, and related topics, see the [Extron Safety and Regulatory Compliance Guide](#) on the Extron website.