

User's Guide



KP 6 Keypad Remote Keypad Remote Controls

Installation and Operation

Introduction

The KP 6 is designed to control MSW 4 Series, SW AV Series (4 and 6 input models only), SW VGA/Ars Series, and SW RGBHV/A Series switchers, or other Extron products with contact closure ports or ports labeled as “Remote.”

The KP 6 is a contact closure remote for selecting the switcher’s input. When a number key is pressed, the wire associated with that input is momentarily shorted to ground, making the switcher switch to that input.

The KP 6 can control up to 6 inputs and requires no power.

Installation

Installation with a 9-pin D-sub connector

Many switchers, such as the SW6 VGA Ars Switcher, come equipped with a 9-pin D-sub connector. To use the KP 6 Keypad Remote Control on this type of switcher, install it as follows:

1. Power down the switcher.
2. Connect the KP 6 adapter’s 9-pin plug to the contact closure connector on the switcher’s rear panel.
3. Position the KP 6 Keypad for the most convenient operation.
4. Power up the switcher.

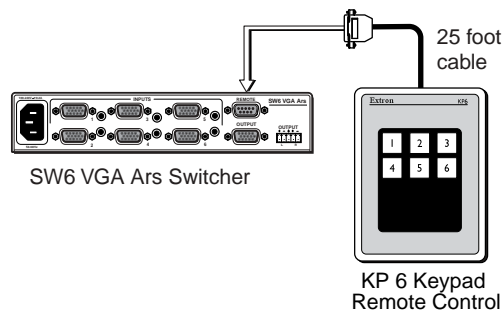


Figure 1 — Typical KP 6 application (with 9-pin D-sub connector)

Pin	Contact closure	Function	Wire color
1	In#1	Input #1	Brown
2	—	Not used	—
3	—	Not used	—
4	In#2	Input #2	Red
5	Gnd	Signal ground	Black
6	In#3	Input #3	Orange
7	In#4	Input #4	Yellow
8	In#5	Input #5	Green
9	In#6	Input #6	Blue

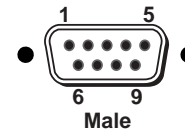


Figure 2 — 9-pin Sub-D connector pinout

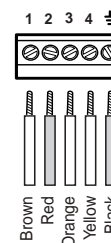
Installation with a captive screw connector

Some switchers, such as the MSW 4 Series, are not equipped with 9-pin D-sub connectors and have a 3.5mm, 5-pole captive screw connector (labeled “Contact”) instead. In order to use the KP 6 Keypad Remote Control with these switchers, a captive screw connector (included with the switcher) must be used. To use a captive screw connector, the existing 9-pin D-sub connector must be removed from the cable and a captive screw connector installed.

To install the captive screw connector, remove the wire from the 9-pin D-sub connector, then strip the wires and insert them into the new connector (supplied with the switcher). Wire the connector as shown here. Tighten the screws to secure the wires. Clip off the green and blue wires.

NOTE Do not tin the stripped wire leads before installing the captive screw connector. Tinned wires are not as secure in the captive screw connectors and could pull out.

Install the KP 6 Keypad Remote Control on this type of switcher as follows:



1. Rewire the connector on the KP 6 Keypad Remote Control.
2. Power down the switcher.
3. Connect the KP 6 adapter’s captive screw connector to the “Contact” connector on the switcher’s rear panel.
4. Position the KP 6 Keypad for the most convenient operation.
5. Power up the switcher.

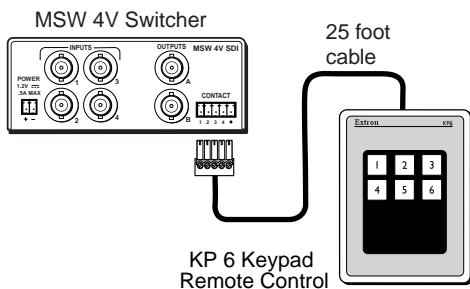


Figure 3 — KP 6 application (with 5-pole captive screw connector)

Operation

To select an input using the KP 6 Keypad Remote Control, press the number key for the desired input.

Specifications

Power	None required
Temperature/humidity	Storage -40° to +158° (-40° to +70°C)/ 10% to 90%, non-condensing
Operating	+32° to +122° (0° to +50°C)/ 10% to 90%, non-condensing
Enclosure type	Plastic
Approvals	CE
MTBF	30,000 hours
Warranty	3 years parts and labor



Extron Electronics, USA
 1230 South Lewis Street
 Anaheim, CA 92805
 USA
 714.491.1500
 Fax 714.491.1517

Extron Electronics, Europe
 Beeldschermweg 6C
 3821 AH Amersfoort
 The Netherlands
 +31.33.453.4040
 Fax +31.33.453.4050

Extron Electronics, Asia
 135 Joo Seng Road, #04-01
 PM Industrial Building
 Singapore 368363
 +65.6383.4400
 Fax +65.6383.4664

Extron Electronics, Japan
 Daisan DMJ Building 6F
 3-9-1 Kudan Minami
 Chiyoda-ku, Tokyo 102-0074 Japan
 +81.3.3511.7655
 Fax +81.3.3511.7656