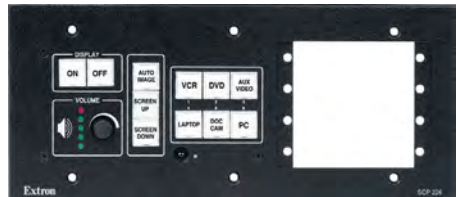
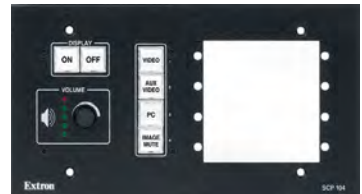


SCP 226 and SCP 104 Series

System Control Panels



Extron® Electronics
INTERFACING, SWITCHING AND CONTROL

Precautions

Safety Instructions • English



This symbol is intended to alert the user of important operating and maintenance (servicing) instructions in the literature provided with the equipment.



This symbol is intended to alert the user of the presence of uninsulated dangerous voltage within the product's enclosure that may present a risk of electric shock.

Caution

Read Instructions • Read and understand all safety and operating instructions before using the equipment.

Retain Instructions • The safety instructions should be kept for future reference.

Follow Warnings • Follow all warnings and instructions marked on the equipment or in the user information.

Avoid Attachments • Do not use tools or attachments that are not recommended by the equipment manufacturer because they may be hazardous.

Consignes de Sécurité • Français



Ce symbole sert à avertir l'utilisateur que la documentation fournie avec le matériel contient des instructions importantes concernant l'exploitation et la maintenance (réparation).



Ce symbole sert à avertir l'utilisateur de la présence dans le boîtier de l'appareil de tensions dangereuses non isolées posant des risques d'électrocution.

Attention

Lire les instructions • Prendre connaissance de toutes les consignes de sécurité et d'exploitation avant d'utiliser le matériel.

Conservier les instructions • Ranger les consignes de sécurité afin de pouvoir les consulter à l'avenir.

Respecter les avertissements • Observer tous les avertissements et consignes marqués sur le matériel ou présentés dans la documentation utilisateur.

Eviter les pièces de fixation • Ne pas utiliser de pièces de fixation ni d'outils non recommandés par le fabricant du matériel car cela risquerait de poser certains dangers.

Sicherheitsanleitungen • Deutsch



Dieses Symbol soll dem Benutzer in der im Lieferumfang enthaltenen Dokumentation besonders wichtige Hinweise zur Bedienung und Wartung (Instandhaltung) geben.



Dieses Symbol soll den Benutzer darauf aufmerksam machen, daß im Inneren des Gehäuses dieses Produktes gefährliche Spannungen, die nicht isoliert sind und die einen elektrischen Schock verursachen können, herrschen.

Achtung

Lesen der Anleitungen • Bevor Sie das Gerät zum ersten Mal verwenden, sollten Sie alle Sicherheits- und Bedienungsanleitungen genau durchlesen und verstehen.

Aufbewahren der Anleitungen • Die Hinweise zur elektrischen Sicherheit des Produktes sollten Sie aufbewahren, damit Sie im Bedarfsfall darauf zurückgreifen können.

Befolgen der Warnhinweise • Befolgen Sie alle Warnhinweise und Anleitungen auf dem Gerät oder in der Benutzerdokumentation.

Keine Zusatzgeräte • Verwenden Sie keine Werkzeuge oder Zusatzgeräte, die nicht ausdrücklich vom Hersteller empfohlen wurden, da diese eine Gefahrenquelle darstellen können.

Instrucciones de seguridad • Español



Este símbolo se utiliza para advertir al usuario sobre instrucciones importantes de operación y mantenimiento (o cambio de partes) que se desean destacar en el contenido de la documentación suministrada con los equipos.



Este símbolo se utiliza para advertir al usuario sobre la presencia de elementos con voltaje peligroso sin protección aislante, que puedan encontrarse dentro de la caja o alojamiento del producto, y que puedan representar riesgo de electrocución.

Precaución

Leer las instrucciones • Leer y analizar todas las instrucciones de operación y seguridad, antes de usar el equipo.

Conservar las instrucciones • Conservar las instrucciones de seguridad para futura consulta.

Obedecer las advertencias • Todas las advertencias e instrucciones marcadas en el equipo o en la documentación del usuario, deben ser obedecidas.

Evitar el uso de accesorios • No usar herramientas o accesorios que no sean específicamente recomendados por el fabricante, ya que podrían implicar riesgos.

Warning

Power sources • This equipment should be operated only from the power source indicated on the product. This equipment should not be used with a main power system with a grounded (neutral) conductor. The third (grounding) pin is a safety feature, do not attempt to bypass or disable it.

Power disconnection • To remove power from the equipment safely, remove all power cords from the rear of the equipment, or the desktop power module (if detachable), or from the power source receptacle (wall plug).

Power cord protection • Power cords should be routed so that they are not likely to be stepped on or pinched by items placed upon or against them.

Servicing • Refer all servicing to qualified service personnel. There are no user-serviceable parts inside. To prevent the risk of shock, do not attempt to service this equipment yourself because opening or removing covers may expose you to dangerous voltage or other hazards.

Slots and openings • If the equipment has slots or holes in the enclosure, these are provided to prevent overheating of sensitive components inside. These openings must never be blocked by other objects.

Lithium battery • There is a danger of explosion if battery is incorrectly replaced. Replace it only with the same or equivalent type recommended by the manufacturer. Dispose of used batteries according to the manufacturer's instructions.

Avertissement

Alimentations • Ne faire fonctionner ce matériel qu'avec la source d'alimentation indiquée sur l'appareil. Ce matériel doit être utilisé avec une alimentation principale comportant un fil de terre (neutre). Le troisième contact (de mise à la terre) constitue un dispositif de sécurité : n'essayez pas de le contourner ni de le désactiver.

Déconnexion de l'alimentation • Pour mettre le matériel hors tension sans danger, déconnectez tous les cordons d'alimentation de l'arrière de l'appareil ou du module d'alimentation de bureau (s'il est amovible) ou encore de la prise secteur.

Protection du cordon d'alimentation • Acheminer les cordons d'alimentation de manière à ce que personne ne risque de marcher dessus et à ce qu'ils ne soient pas écrasés ou pinçés par des objets.

Réparation-maintenance • Faire exécuter toutes les interventions de réparation-maintenance par un technicien qualifié. Aucun des éléments internes ne peut être réparé par l'utilisateur. Afin d'éviter tout danger d'électrocution, l'utilisateur ne doit pas essayer de procéder lui-même à ces opérations car l'ouverture ou le retrait des couvercles risquerait de l'exposer à de hautes tensions et autres dangers.

Fentes et orifices • Si le boîtier de l'appareil comporte des fentes ou des orifices, ceux-ci servent à empêcher les composants internes sensibles de surchauffer. Ces ouvertures ne doivent jamais être bloquées par des objets.

Lithium Batterie • Il a danger d'explosion s'il y a un remplacement incorrect de la batterie. Remplacer uniquement avec une batterie du même type ou d'un type équivalent recommandée par le constructeur. Mettre au rebut les batteries usagées conformément aux instructions du fabricant.

Vorsicht

Stromquellen • Dieses Gerät sollte nur über die auf dem Produkt angegebene Stromquelle betrieben werden. Dieses Gerät würde für eine Verwendung mit einer Hauptstromleitung mit einem geerdeten (neutralen) Leiter konzipiert. Der dritte Kontakt ist für einen Erdschluss, und stellt eine Sicherheitsfunktion dar. Diese sollte nicht umgangen oder außer Betrieb gesetzt werden.

Stromunterbrechung • Um das Gerät auf sichere Weise vom Netz zu trennen, sollten Sie alle Netzketten aus der Rückseite des Gerätes, aus der externen Stromversorgung (falls dies möglich ist) oder aus der Wandsteckdose ziehen.

Schutz des Netzkabels • Netzkabel sollten stets so verlegt werden, daß sie nicht im Weg liegen und niemand darauf treten kann oder Objekte darauf- oder unmittelbar dagegen gestellt werden können.

Wartung • Alle Wartungsmaßnahmen sollten nur von qualifiziertem Servicepersonal durchgeführt werden. Die internen Komponenten des Gerätes sind wartungsfrei. Zur Vermeidung eines elektrischen Schocks versuchen Sie in keinem Fall, dieses Gerät selbst öffnen, da beim Enternen der Abdeckungen die Gefahr eines elektrischen Schlags und/oder anderer Gefahren bestehen.

Schlitze und Öffnungen • Wenn das Gerät Schlitze oder Löcher im Gehäuse aufweist, dienen diese zur Vermeidung einer Überhitzung der empfindlichen Teile im Inneren. Diese Öffnungen dürfen niemals von anderen Objekten blockiert werden.

Litium-Batterie • Explosionsgefahr, falls die Batterie nicht richtig ersetzt wird. Ersetzen Sie verbrauchte Batterien nur durch den gleichen oder einen vergleichbaren Batterietyp, der auch vom Hersteller empfohlen wird. Entsorgen Sie verbrauchte Batterien bitte gemäß den Herstelleranweisungen.

Advertencia

Alimentación eléctrica • Este equipo debe conectarse únicamente a la fuente/tipo de alimentación eléctrica indicada en el mismo. La alimentación eléctrica de este equipo debe provenir de un sistema de distribución general con conductor neutro a tierra. La tercera pata (puesta a tierra) es una medida de seguridad, no puentearla ni eliminarla.

Desconexión de alimentación eléctrica • Para desconectar con seguridad la acometida de alimentación eléctrica al equipo, desenchufar todos los cables de alimentación en el panel trasero del equipo, o desenchufar el módulo de alimentación (si es independiente), o desenchufar el cable del receptáculo de la pared.

Protección del cables de alimentación • Los cables de alimentación eléctrica se deben instalar en lugares donde no sean pisados ni apretados por objetos que se puedan apoyar sobre ellos.

Reparaciones/mantenimiento • Solicitar siempre los servicios técnicos de personal calificado. En el interior no hay partes a las que el usuario deba acceder. Para evitar riesgo de electrocución, no intentar personalmente la reparación/mantenimiento de este equipo, ya que al abrir o extraer las tapas puede quedar expuesto a voltajes peligrosos u otros riesgos.

Ranuras y aberturas • Si el equipo posee ranuras o orificios en su caja/alojamiento, es para evitar el sobrecalentamiento de componentes internos sensibles. Estas aberturas nunca se deben obstruir con otros objetos.

Batería de litio • Existe riesgo de explosión si esta batería se coloca en la posición incorrecta. Cambiar esta batería únicamente con el mismo tipo (o su equivalente) recomendado por el fabricante. Deschar las baterías usadas siguiendo las instrucciones del fabricante.

安全须知 • 中文

这个符号提示用户该设备用户手册中有重要的操作和维护说明。

这个符号警告用户该设备机壳内有暴露的危险电压，有触电危险。

注意

阅读说明书 • 用户使用该设备前必须阅读并理解所有安全和使用说明。

保存说明书 • 用户应保存安全说明书以备将来使用。

遵守警告 • 用户应遵守产品和用户指南上的所有安全和操作说明。

避免追加 • 不要使用该产品厂商没有推荐的工具或追加设备，以避免危险。

警告

电源 • 该设备只能使用产品上标明的电源。设备必须使用有地线的供电系统供电。第三条线（地线）是安全设施，不能不用或跳过。

拔掉电源 • 为安全地从设备拔掉电源，请拔掉所有设备后或桌面电源的电源线，或任何接到市电系统的电源线。

电源线保护 • 妥善布线，避免被踩踏，或重物挤压。

维护 • 所有维修必须由认证的维修人员进行。设备内部没有用户可以更换的零件。为避免出现触电危险不要自己试图打开设备盖子维修该设备。

通风孔 • 有些设备机壳上有通风槽或孔，它们是用来防止机内敏感元件过热。不要用任何东西挡住通风孔。

锂电池 • 不正确的更换电池会有爆炸的危险。必须使用与厂家推荐的相同或相近型号的电池。按照生产厂的建议处理废弃电池。

FCC Class A Notice

This equipment has been tested and found to comply with the limits for a Class A digital device, pursuant to part 15 of the FCC rules. The Class A limits provide reasonable protection against harmful interference when the equipment is operated in a commercial environment. This equipment generates, uses, and can radiate radio frequency energy and, if not installed and used in accordance with the instruction manual, may cause harmful interference to radio communications. Operation of this equipment in a residential area is likely to cause interference; the user must correct the interference at his own expense.

NOTE: This unit was tested with shielded I/O cables on the peripheral devices. Shielded cables must be used to ensure compliance with FCC emissions limits.

For more information on safety guidelines, regulatory compliances, EMI/EMF compatibility, accessibility, and related topics, see the “[Extron Safety and Regulatory Compliance Guide](#)” on the Extron website.

Conventions Used in this Guide

Notifications

WARNING: **Risk of physical injury.** A warning indicates a situation that has the potential to result in death or severe injury.

ATTENTION: Attention indicates a situation that may damage or destroy the product or associated equipment.

NOTE: A note draws attention to important information.

Copyright

© 2012 Extron Electronics. All rights reserved.

Trademarks

All trademarks mentioned in this guide are the properties of their respective owners.

Contents

Introduction	1
About this Guide.....	1
About the SCP 104 and SCP 226 System Control Panels.....	1
Features.....	2
Application Diagrams.....	3

Installation and Operation	5
UL Requirements.....	5
Installation Overview.....	6
Installing or Replacing Button Labels	6
Rear Panel Features and Connections	8
Wiring the RS-232 Port.....	10
Wiring the Power Connector (Optional).....	12
Connecting to the MLC 104/226, the System 5 IP, and Control Modules	13
SCP and System 5 IP Button Connections	18
Mounting the SCP	19
Mounting Options.....	19
Mounting in an Electrical Box.....	19
Mounting to a Lectern (SCP 226 L).....	20
Front Panel Features.....	21
Resetting	26
Updating the Firmware	27
Obtaining the Firmware Loader Program.....	27
Loading Firmware to the SCP	28

Remote Communication	31
Setting Up RS-232 Communication	31
Communications Between the Host and the SCP	31
SCP-initiated Messages.....	32
Error Responses.....	32
Using SIS Commands.....	32
Using the Command and Response Tables.....	33
Symbol Definitions	33
Command and Response Table for SIS Commands	34
Special Function SIS Commands	37
Command and Response Table for Special Function SIS Commands	38
Using the Switch and Button Table.....	40
Switch Number Locations.....	40
Switch and Button Table	44

Reference Information	45
Part Numbers	45
Models.....	45
Included Parts	45
Recommended Cables	46
Accessories.....	46
Cutout Templates.....	47
SCP 104 Cutout Template.....	47
SCP 104 AAP Cutout Template....	48
SCP 226 Cutout Template.....	49
SCP 226 AAP Cutout Template....	50
SCP 226 L Cutout Template	51

Introduction

This section gives an overview of the SCP 104 and SCP 226 System Control Panels and describes their features. Topics include:

- [About this Guide](#)
- [About the SCP 104/226 Series System Control Panels](#)
- [Application Diagrams](#)

About this Guide

This guide discusses how to install, connect, and operate the Extron SCP 104 and SCP 226 System Control Panels.

Throughout this guide, the terms “SCP 104/226,” “SCP,” and “control panel” are used interchangeably to refer to these products.

About the SCP 104 and SCP 226 System Control Panels

The Extron SCP 104 and SCP 226 System Control Panels are hard-wired remote control panels that operate with the Extron MLC 104 IP Plus and MLC 226 IP MediaLink® Controllers and with the System 5 IP Series switchers. All SCP models replicate all of the MLC 104 and 226 models and most of the System 5 IP front panel controls. The SCP provides an economical means of controlling devices from multiple locations in a room. For example, a presenter could have control from a lectern at the front of the room, while at the same time another person is able to control the same devices from the back of the room.

The SCP panels have bidirectional communication with the MLCs and the System 5 switchers; therefore, any changes on one panel are reflected on the other. The SCP 104 AAP and SCP 226 AAP provide spaces for the addition of optional architectural adapter plates (AAPs), relay control modules (RCMs), or IR control modules (IRCMs).

NOTE: The MediaLink Controller or System 5 IP switcher cannot be configured from the SCP control panels. All device setup must be done from the MediaLink Controllers (see the MLC 104/MLC 226 or the System 5 IP user guide to set up the control device).

The MediaLink controllers and the System 5 IP each support up to two of the SCP 104/226, the SCP 226 L, or the SCP 104/226 AAP models. The MLC 104/226 and the System 5 IP can each support up to four control modules and one IR Link infrared signal repeater, which can be daisy-chained with the panels. The SCP 226 models can accept signals from the optional IR 402 remote control.

Features

- **Black and white faceplates** — Most SCP faceplates are available in two colors for integration into a variety of environments. (The SCP 226 L is available only in black).
- **Customizable, illuminated buttons** — The backlit front panel buttons can be easily identified, even in low light. Their labels can be removed and replaced to reflect the assigned button functions if desired.
- **System expanding (SCP 226 only)** — The SCP 226 panels can be daisy-chained with Extron control modules (IRCMs and RCMs) and an IR Link to provide versatile remote control options.
- **Furniture and wall mounting** — The SCPs can be mounted to walls or furniture using optional wall boxes, surface mount boxes, or mounting brackets. All mounting options available for the MLC 104 and MLC 226 are compatible with the SCP 104/226.
- **Remote communication** — An RS-232 port allows you to communicate with and to monitor the SCP via a host computer using the Extron Simple Instruction Set (SIS™) commands (see the "[Remote Communication](#)" section, beginning on page 31, for more information on SIS).

Application Diagrams

The following illustrations show examples of how the SCP can be connected.

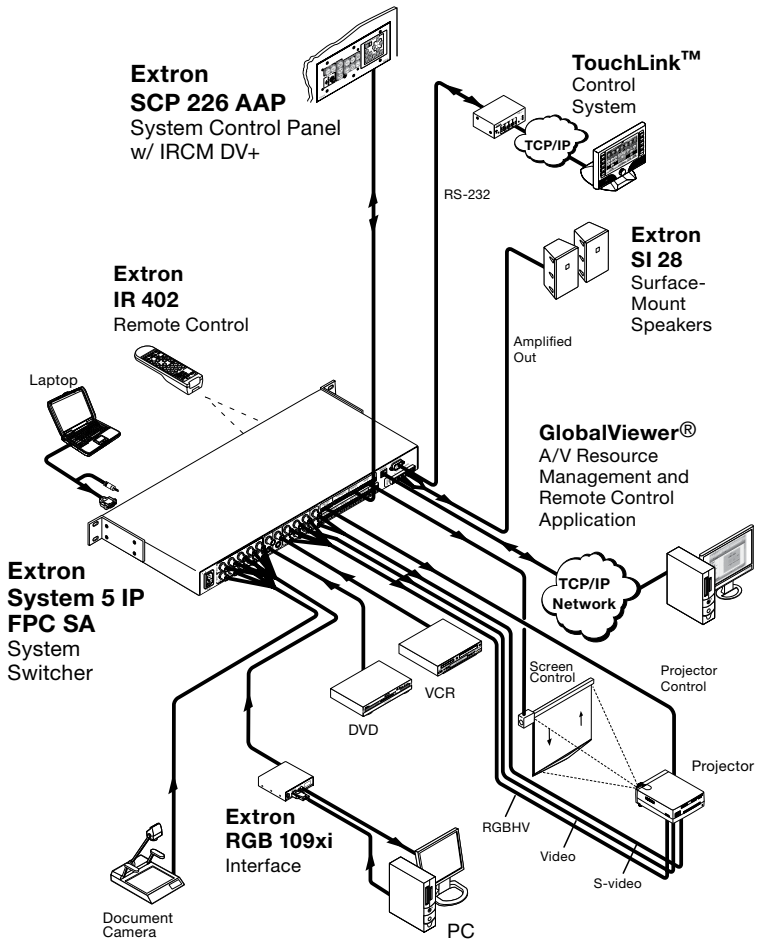


Figure 1. Connection Diagram for an SCP 226 AAP with a System 5 IP Switcher

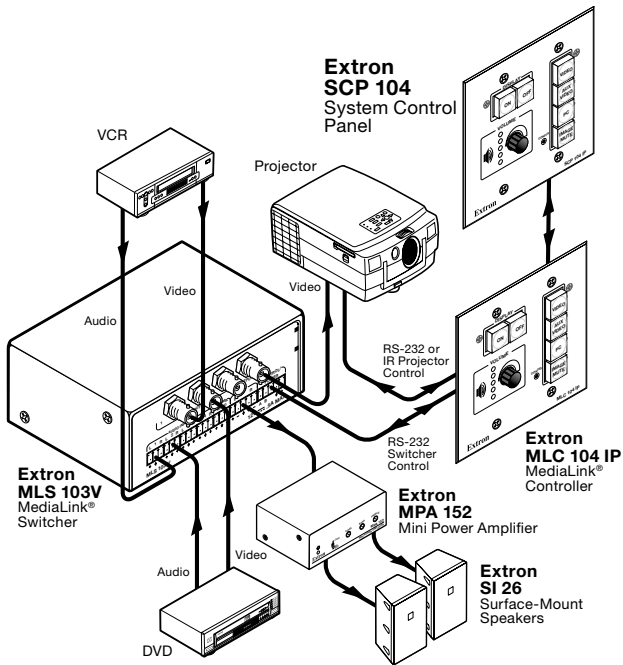


Figure 2. Connection Diagram for an SCP 104

Installation and Operation

This section describes the front and rear panel features of the six SCP 104/226 models and provides procedures for installing and operating the control panels. Topics that are covered include:

- [UL Requirements](#)
- [Installation Overview](#)
- [Installing or Replacing Button Labels](#)
- [Rear Panel Features and Connections](#)
- [SCP and System 5 IP Button Functions](#)
- [Mounting the SCP](#)
- [Front Panel Features](#)
- [Resetting](#)
- [Updating the Firmware](#)

UL Requirements

The Underwriters Laboratories (UL) requirements listed below pertain to the safe installation and operation of the SCP 104/226 into a wall or furniture.

- Do not use the SCP near water or expose it to liquids.

WARNING: Risk of fire or electric shock. Do not expose this apparatus to rain or moisture.

- Clean the SCP only with a dry cloth.
- Do not install the SCP near any heat source, such as a radiator, heat register, stove, or other apparatus that produces heat (including amplifiers).
- Unplug the SCP during lightning and thunderstorms or when it will be unused for long periods.
- For the installation to meet UL requirements and to comply with National Electrical Code (NEC), the SCP must be installed in a UL approved junction box. The end user or installer must furnish the junction box; it is not provided by Extron.

Installation Overview

ATTENTION: Installation and service must be performed by authorized personnel only.

To install and set up an SCP control panel:

1. Power off all equipment. Make sure that the SCP and all attached devices are disconnected from the power sources.
2. Set the panel address DIP switch on the back of the SCP (see ① "Panel address DIP switches" on page 8).
3. When using two SCPs, set switch 2 as follows:
 - **Off** (down) to set address **1**
 - **On** (up) to set address **2**
4. Using the rear panel 5-pole captive screw connectors, connect the SCP to the MLC or System 5 IP (see the [wiring diagrams](#) beginning on page 12).
5. If the SCP is not receiving power through an MLC or a System 5 IP, plug a 12 VDC power supply into slots A and B of either of the IRCM/RCM or SCP captive screw connectors.
6. Restore power to all equipment.

Installing or Replacing Button Labels

By default, the SCP button caps are prelabeled for your convenience. However, they can be customized. The button assembly consists of a clear lens cap, the button label, and a white diffuser (see [figure 3](#) on the next page).

To replace the translucent button labels:

1. Insert a small, flat-bladed screwdriver between the base of the button and the diffuser, and gently pry the button assembly off the button plunger.
2. Locate the small corner notch on the clear cap, and slide the screwdriver between the clear cap and the diffuser (see ② in [figure 3](#)).
3. Using a rotating motion of the screwdriver, carefully pry the two pieces apart (see ③ in [figure 3](#)).

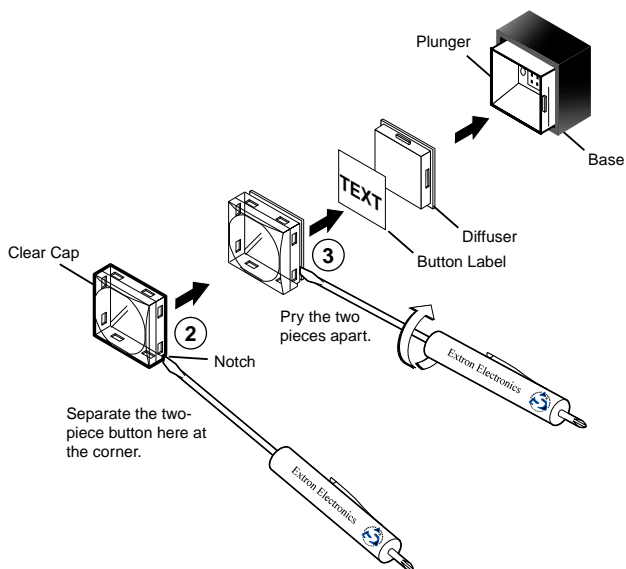


Figure 3. Replacing a Button Label

4. Lift out the transparent square label that you want to replace, being careful not to damage the circuits beneath it. You may need to use the small screwdriver to gently pry the label out.
5. Detach one of the preprinted labels or one of the blank labels from the label sheets included with the SCP. Remove the label from the backing and, if applicable, peel the protective film from the front of the label.

NOTE: If desired, you can create customized labels using a label maker, such as the Brother® P-touch®, and clear label material. Cut the labels so that they are square and measure ½ inch on each edge.

6. Insert the new label into the clear button cap, aligning the white diffuser with the cap, and firmly snap the cap into place.
7. Gently, but firmly, press the reassembled button into place on the SCP front panel.
8. Repeat steps 1 through 7 as needed to relabel other buttons.

Rear Panel Features and Connections

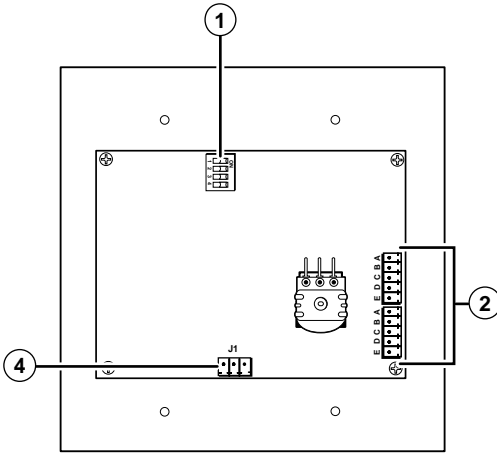


Figure 4. SCP 104 Rear Panel

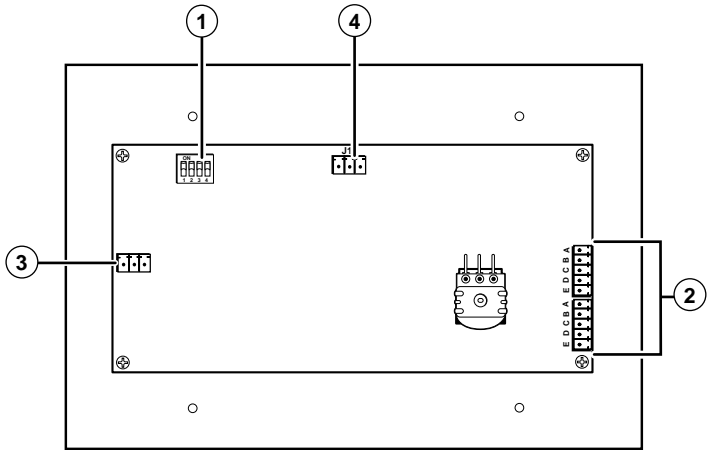
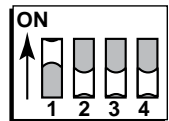


Figure 5. SCP 226 Rear Panel

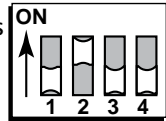
① **Panel address DIP switches** — Set these DIP switches as appropriate for your system configuration.

- **Switch 1** — Switches the SCP between connected and standalone modes. Set this switch as follows:
 - **Off** (down) if the SCP will be connected to an MLC or a System 5 IP
 - **On** (up) if the SCP will be operating in standalone mode (not connected to a controller)



NOTE: The SCP must be in standalone mode for communication via SIS commands (see the [“Remote Communication”](#) section, beginning on page 31).

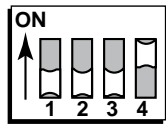
- **Switch 2** — Sets the addresses for the SCPs when two are connected. Ensure that this switch is set to **opposite** positions on the two SCPs. **For example:**



- If switch 2 is set to **Off** (down) on the **first** SCP, set switch 2 on the **second** SCP to **On** (up).
- If switch 2 is set to **On** (up) on the **first** SCP, set switch 2 on the **second** SCP to **Off** (down).

- **Switch 3** — Not used

- **Switch 4** — Selects the SCP 104 operating mode. Set this switch:



- **Off** (down) if the SCP 104 will be connected to an MLC 104.
- **On** (up) if the SCP 104 will be connected to a System 5 IP or an MLC 104 IP Plus.

- ② **SCP power and control connectors** — These two female 5-pole 3.5 mm captive screw connectors function identically to each other and can be used interchangeably.

Connect an MLC 104/226 or a System 5 IP to either of these connectors. On an SCP 226, you can connect an MLC or System 5 IP to one connector, and an IR Link, another SCP, or a control module such as an IRCM to the other connector.

The SCP can receive power from the MLC or System 5 IP through pins A and B of either of these connectors. Wire the connectors as shown in [“Connecting to the MLC 104/226, the System 5 IP, and Control Modules”](#) on page 13.

- ③ **IRCM/RCM connector (SCP 226 only)** — Attach an Extron Control Module to this female 3-pole connector. A maximum of four IRCM or RCM addresses can be used.

The maximum distance between the MLC or System 5 IP and the farthest SCP in the chain is 200 feet (61 m). The SCP can receive power through these connectors from the MLC or System 5 IP, or from a 12 VDC external power supply.

NOTE: If an IRCM or RCM is used in a configuration with an MLC and or a System 5 IP and an SCP, the control modules on the SCP must be addressed identically to the MLC or System 5 IP control modules. See your IRCM or RCM user guide to address control modules.

- ④ **Serial port** — Use this female 3-pole 3.5 mm captive screw connector to connect the SCP to the serial (RS-232) port on your computer. Through this connection you can enter SIS commands to monitor and obtain information from the SCP (see "[Wiring the RS-232 Port](#)" for connection information).

Wiring the RS-232 Port

The RS-232 port provides the connection by which you can monitor and communicate with the SCP from a host computer using SIS commands (see the "[Remote Communication](#)" section, beginning on page 31).

The RS-232 protocol for this port is 9600 baud, 1 stop bit, no parity, 8 data bits, no flow control

Use a female 9-pin to bare wire RS-232 cable or a universal control cable (UC50' or UC100') to connect a your computer or control system to the SCP as follows:

1. Wire the unterminated end of the RS-232 cable to the provided 3-pole captive screw plug as follows:
 - Connect the transmit wire to pin 1, which plugs into the transmit (Tx) port.
 - Connect the receive wire to pin 2, which plugs into the receive (Rx) port.
 - Connect the ground wire to pin 3, which plugs into the ground (G) port.

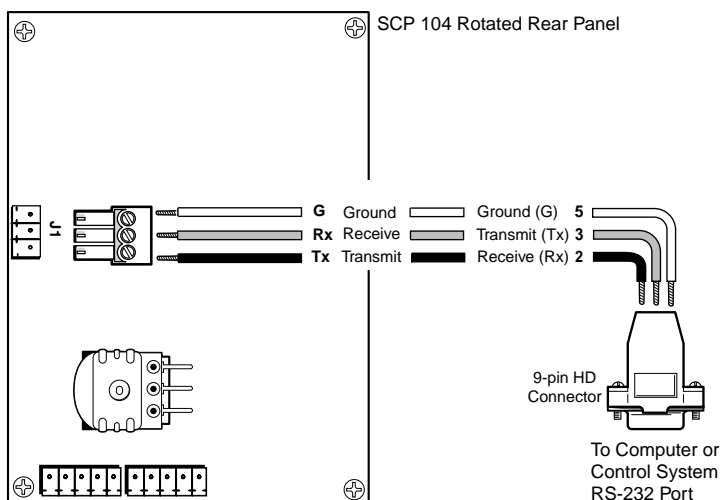


Figure 6. Connecting a Host to the SCP 104

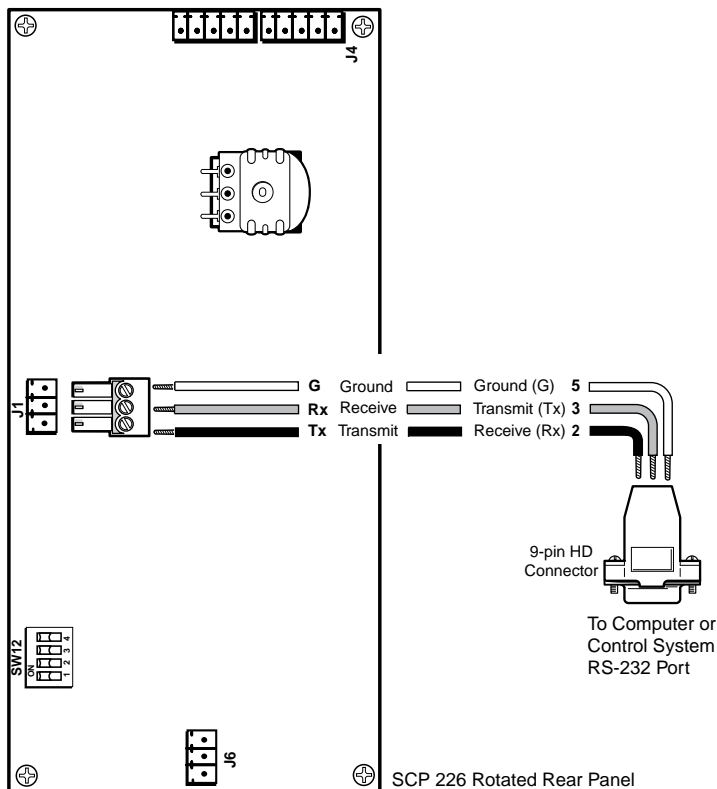


Figure 7. Connecting a Host to the SCP 226

2. Plug the 3-pole connector into the RS-232 port on the SCP rear panel.

- NOTES:**
- DIP switch #1 must be set to On (up) for the SCP to be able to communicate with the computer or terminal emulator.
 - Do not connect anything to this port if an MLC or a System 5 IP is connected to the SCP.

Wiring the Power Connector (Optional)

If powering the SCP using a 12 V, 1 A external power supply (instead of powering via an MLC or System 5 IP), connect the power supply to ports A and B of either 5-pole captive screw connector on the SCP rear panel. Connect the + wire to port A and the ground wire to port B, as shown in the figures below.

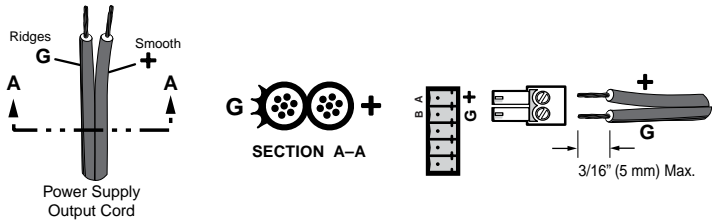


Figure 8. Wiring the Power Connector

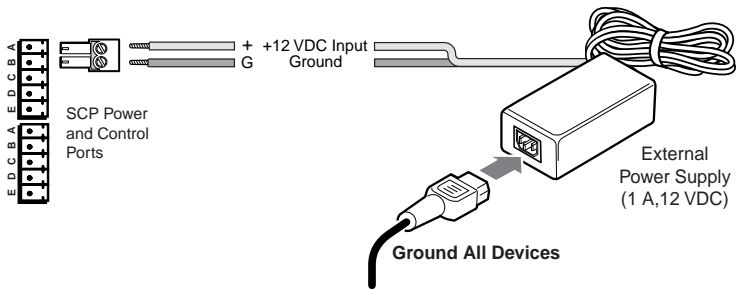


Figure 9. Connecting the Power Supply

WARNING: Risk of electric shock. The two power cord wires must be kept separate while the power supply is plugged in. Remove power before continuing.

To verify the polarity before connection, plug in the power supply with no load and check the output with a voltmeter.

ATTENTION:

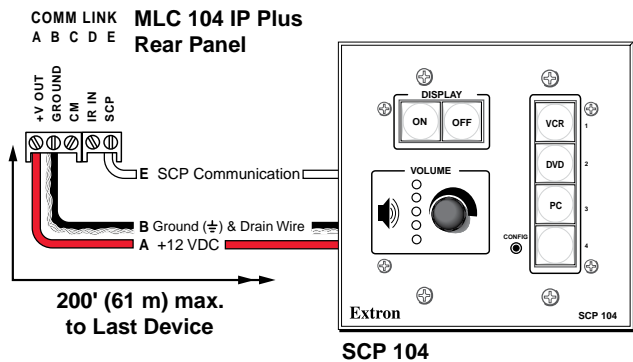
- When you are connecting the power supply, voltage polarity is extremely important. Applying power with incorrect voltage polarity could damage the power supply and the equalizer. Identify the negative lead by the ridges on the side of the cord (see figure 8, above).
- Do not tin the stripped power supply leads before installing the captive screw connector. Tinned wires are not as secure in the captive screw connectors and could be pulled out.

Connecting to the MLC 104/226, the System 5 IP, and Control Modules

The diagrams on the following pages illustrate how to connect the SCP to the MLC 104, MLC 226, control modules such as IRCMs or RCMs, and the System 5 IP system switcher.

- NOTES:**
- When an SCP 104 is connected to an MLC 104 IP Plus, the SCP must have firmware version 1.01 or higher.
 - When an SCP 104/226 is connected to a System 5 IP switcher, the SCP must have firmware version 1.01 or higher loaded, and the switcher must have firmware version 2.01 or higher.
 - The diagrams in this section are guides; the SCPs, control modules, and IR Link can be daisy-chained in other combinations as well.

SCP 104 to MLC 104 IP Plus



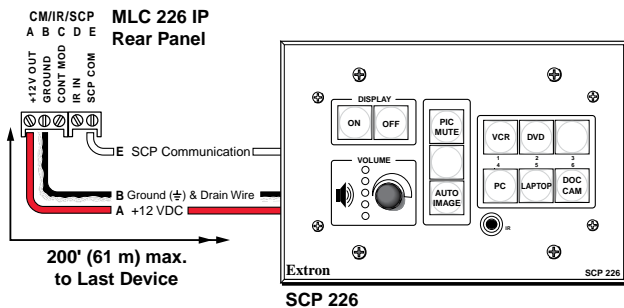
Extron CTLP Cable Color Code:

- E SCP Communication = White
- D Modulated IR (for IR Link)
- C Control Module Communication
- B Ground (\oplus) & Drain Wire = Black & Drain Wire
- A +12 VDC = Red

NOTE: DIP switch 4 must be in the On (up) position.

Figure 10. Connecting the SCP 104 to the MLC 104 IP Plus

SCP 226 to MLC 226 IP

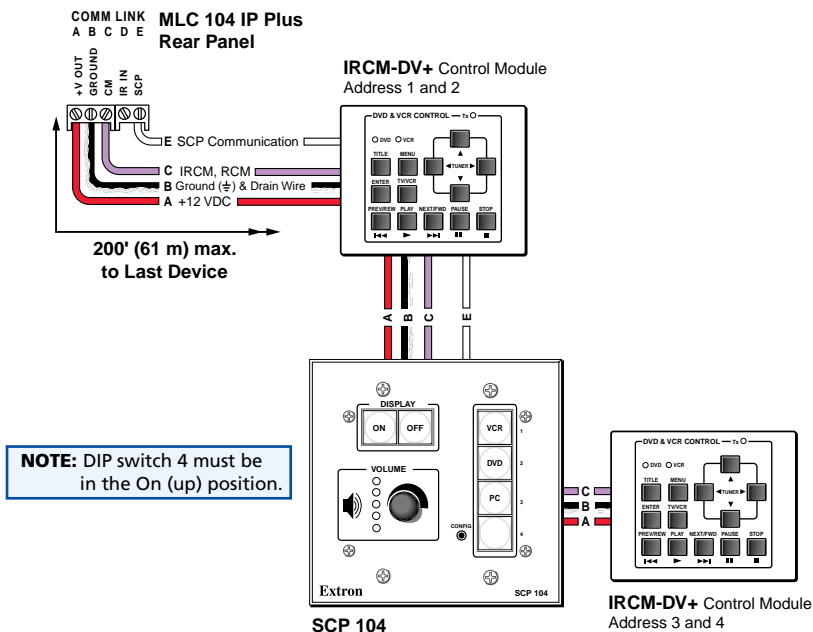


Extron CTLP Cable Color Code:

- E SCP Communication = White
- D Modulated IR (for IR Link) = Grey
- C Control Module Communication = Black & Drain Wire
- B Ground ($\frac{\pm}{\text{}}$) & Drain Wire = Black & Drain Wire
- A +12 VDC = Red

Figure 11. Connecting the SCP 226 to the MLC 226 IP

SCP 104 to MLC 104 IP Plus with IRCM-DV+ modules



NOTE: DIP switch 4 must be in the On (up) position.

Extron CTLP Cable Color Code:

- E SCP Communication = White
- D Modulated IR (for IR Link) = Grey
- C Control Module Communication = Violet
- B Ground ($\frac{\pm}{\text{}}$) & Drain Wire = Black & Drain Wire
- A +12 VDC = Red

Figure 12. Connecting Control Modules to the SCP 104 and the MLC 104 IP Plus

SCP 226 to MLC 226 IP with IRCM-DV+ control modules

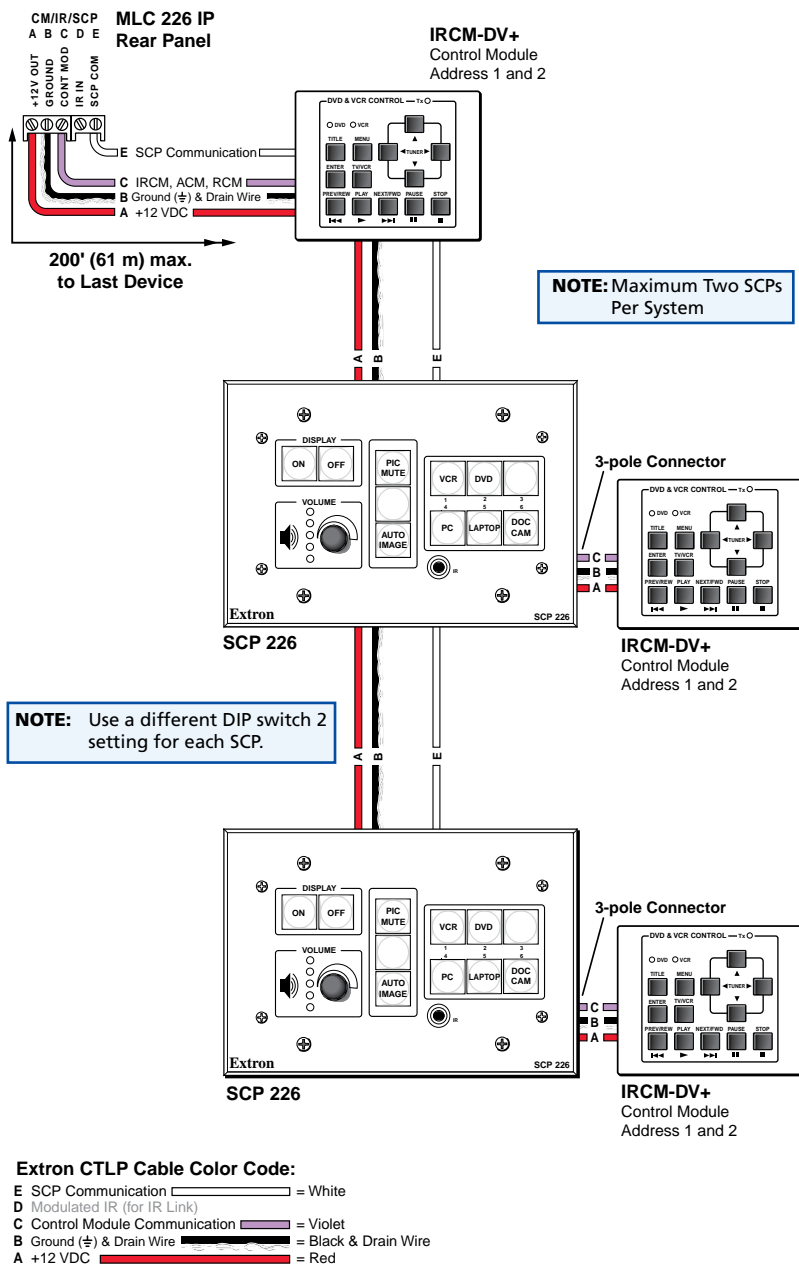


Figure 13. Connecting Control Modules to Two SCP 226 Control Panels and to an MLC 226 IP

SCP to system switcher

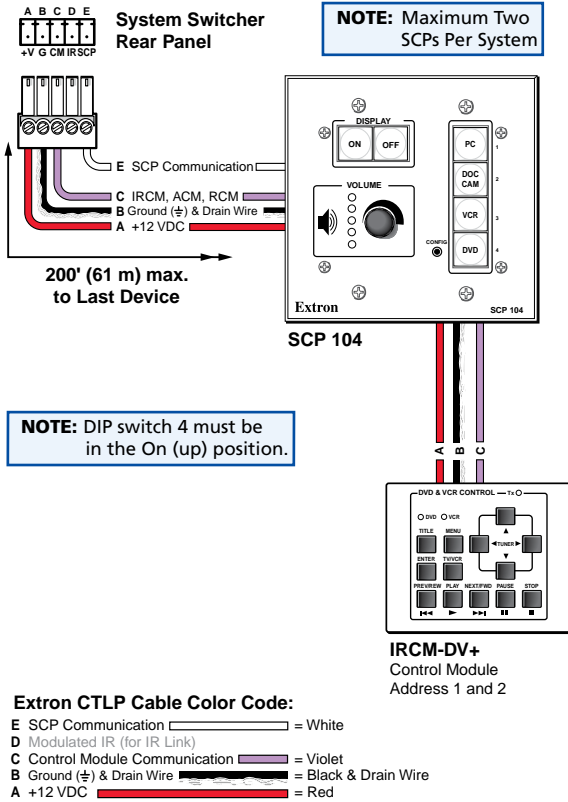


Figure 14. Connecting an SCP 104 to a System Switcher and a Control Module

Two SCP 226s to system switcher and two control modules

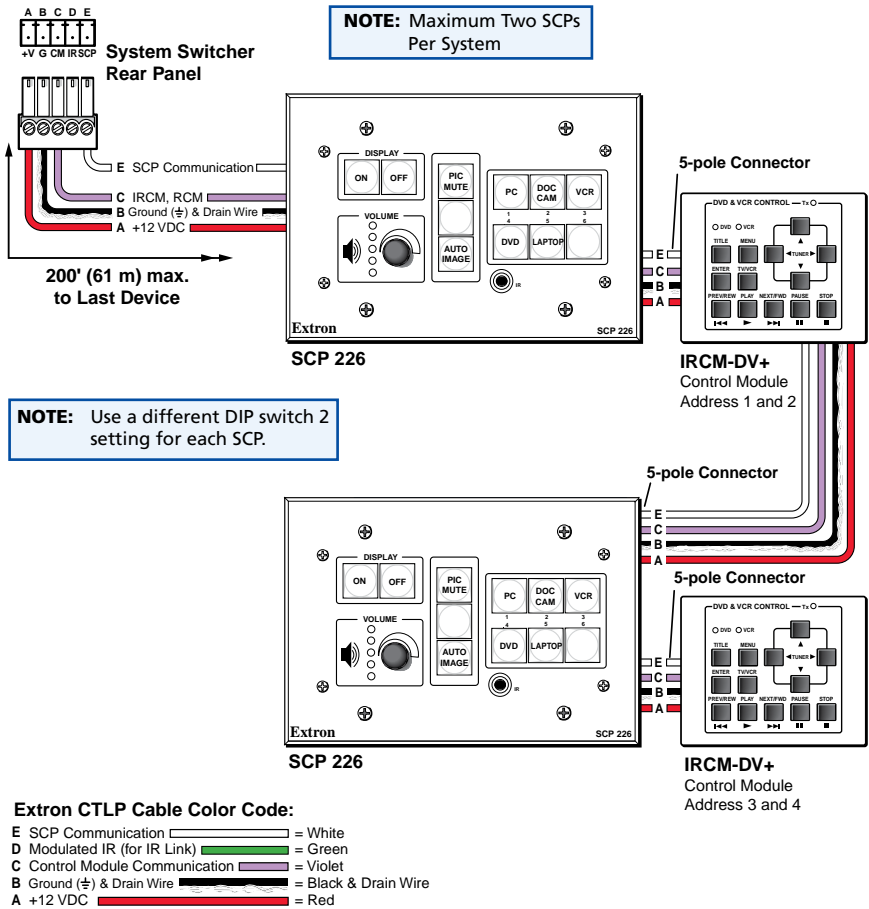
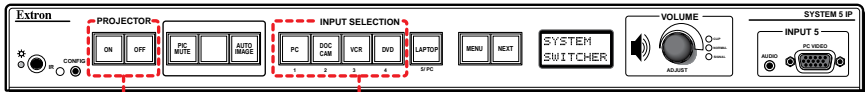


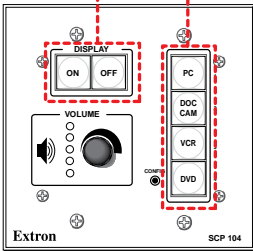
Figure 15. Connecting Two SCP 26 Control Panels to a System Switcher and Two Control Modules

SCP and System 5 IP Button Functions

When an SCP is connected to a System 5 IP switcher, buttons on the SCP initiate functions that are also controlled by equivalent buttons on the switcher. The following diagrams show the buttons on the SCP that are tied to buttons on the System 5 IP.

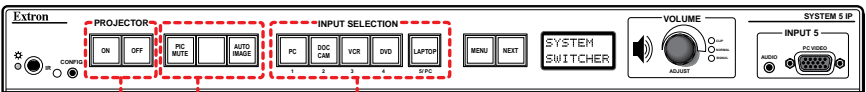


System 5 IP

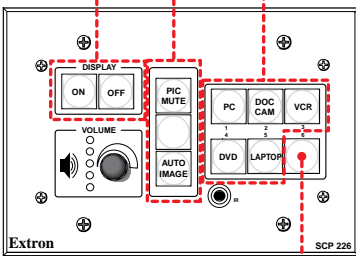


SCP 104

Figure 16. Button Equivalents on an SCP 104 Connected to a System 5 IP Switcher



System 5 IP



SCP 226

Button 6 on the SCP is used for function button 4 on the System 5 IP.

Figure 17. Button Equivalents on an SCP 226 Connected to a System 5 IP Switcher

Mounting the SCP

After the system has been cabled and tested, the control panel can be mounted to the wall or furniture.

Mounting Options

You can mount the SCP 104/226 in an electrical box or surface mounting box (not provided), or you can use a mounting bracket (not provided) to secure it to a wall, podium, table, or other furniture. Extron offers a variety of mounting boxes and brackets that you can purchase for the different SCP 104/226 models.

In-wall or in-furniture mounting options

To mount the SCP 104/226 in areas of walls or furniture without studs, use an optional mounting bracket. These Extron mounting brackets (also called "mud-rings") can be ordered separately (see "[Accessories](#)" on page 46 for their part numbers).

External mounting options

To mount the SCP 104/226 externally on a wall or furniture, you can use one of the following Extron mounting options, or obtain an equivalent mounting option locally. Follow the directions provided with the mounting option. See the "[Accessories](#)" table for part numbers for these options.

- External Wall Box (EWB) series
- Surface Mounting Box (SMB)
- Universal Controller Mount (UCM)
- MediaLink Mounting Wall Box (MLM-WB+)

Mounting to an Electrical Box

Follow these steps to mount an SCP 104/226 or an SCP 104/226 AAP in a UL approved electrical junction box.

1. Mount the junction box in the desired mounting surface, following the instructions provided with the box.
2. If you are installing an SCP AAP model, attach any architectural adapter plates (AAPs) that you want to install in the AAP frame of the SCP.
3. Connect power to the SCP.
4. Insert the SCP into the mounted electrical box.
5. Secure the SCP to the box with the provided machine screws. [Figure 18](#) on the next page shows an SCP 104 mounted in a two-gang electrical box.

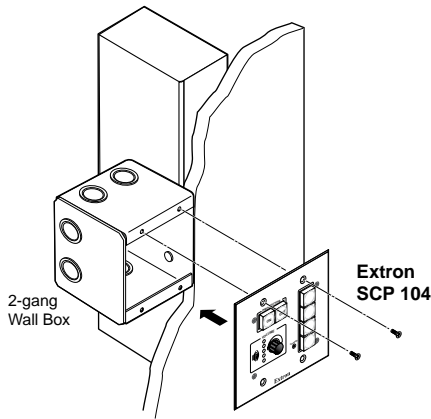


Figure 18. Mounting an SCP 104 in a Two-gang Electrical Box

ATTENTION: If you are not installing the SCP into a grounded metal electrical box, make sure that the faceplate is grounded to an earth ground.

Mounting to a Lectern (SCP 226 L)

The SCP 226 L is designed to be mounted to a lectern. To mount the SCP 226 L, cut a hole of the required size (see the templates in the "[Cutout Templates](#)" section, beginning on page 47, for the dimensions) and attach the SCP using the provided wood screws.

NOTE: The templates are not to scale and are provided for reference only.

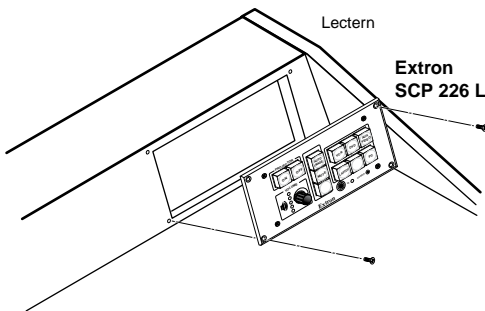


Figure 19. Mounting an SCP 226 L to a Lectern

Front Panel Features

The controls on the SCP 104/226 replicate the programmed MLC 104/226 buttons and controls, and most of the System 5 IP front panel controls. All button functions for the MLCs and the System 5 IP are configured via RS-232 or Ethernet.

Any action taken at the SCP front panel, such as turning the knob to increase or decrease volume, pressing a button to turn the projector on or off, or pressing a button to select an input, is reflected on the attached MLC or System 5 IP front panel and vice versa.

NOTE: On the MLCs, the buttons can be programmed to light bright green, red, or amber when selected; and the SCP buttons reflect the programming on the MLC. Buttons that are not selected light dim amber.

On the System 5 IP, only the buttons indicated by ② in the following front panel illustrations and button #6 in group ③ can be programmed to light in the three colors.

See the Global Configurator help file for instructions on programming the buttons.

When a button is pressed or the knob is turned on the SCP front panel, the action is communicated through the RS-232 port. Use a tool such as Extron DataViewer on a computer that is connected to the RS-232 port on the SCP to view this information.

You can also issue SIS commands to the SCP to light LEDs and buttons (see the “[Remote Communication](#)” section, beginning on page 31, for information on SIS commands).

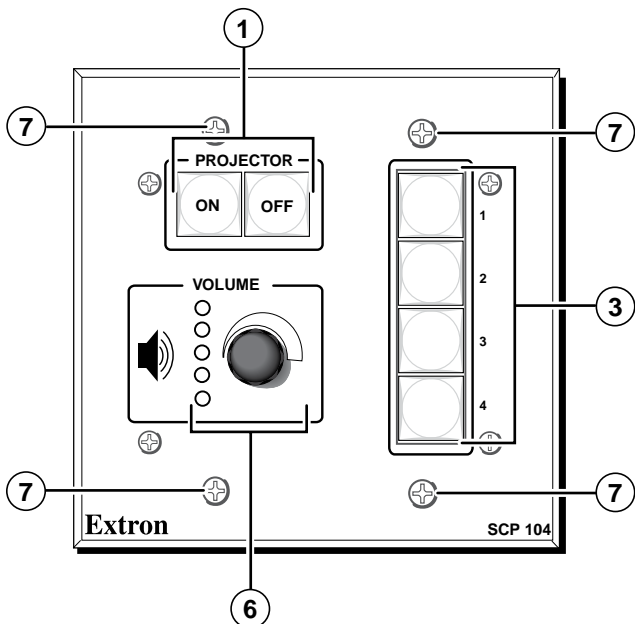


Figure 20. SCP 104 Front Panel

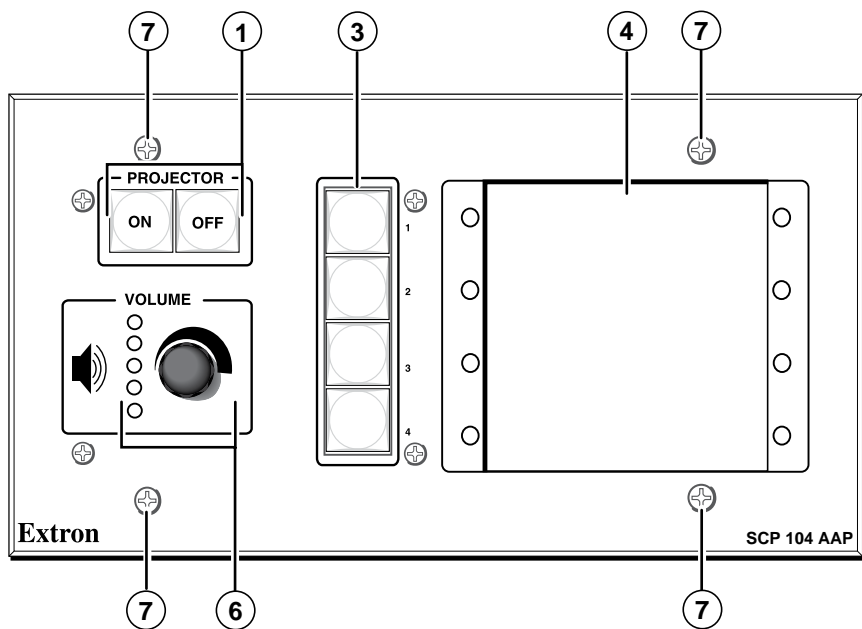


Figure 21. SCP 104 AAP Front Panel

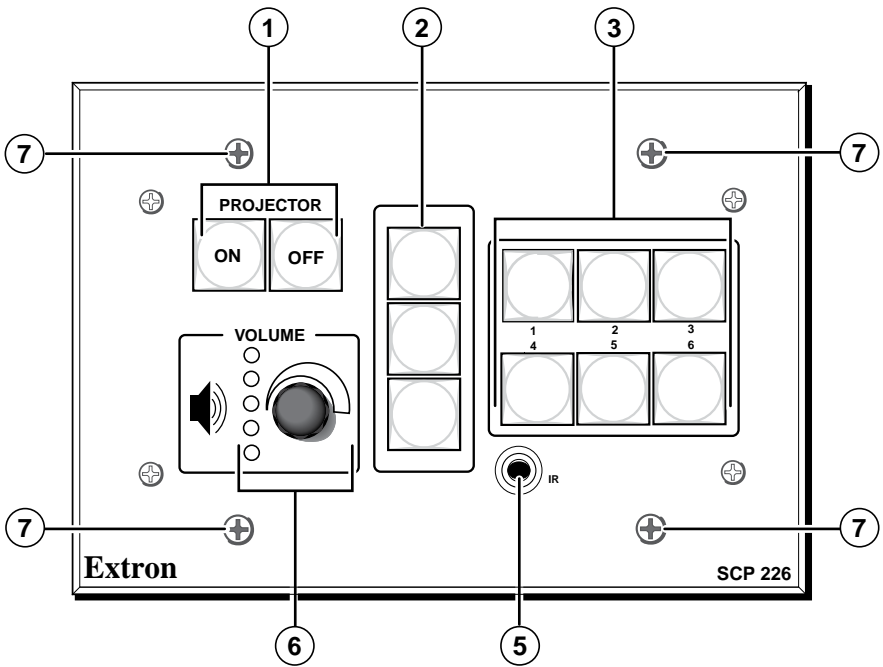


Figure 22. SCP 226 Front Panel

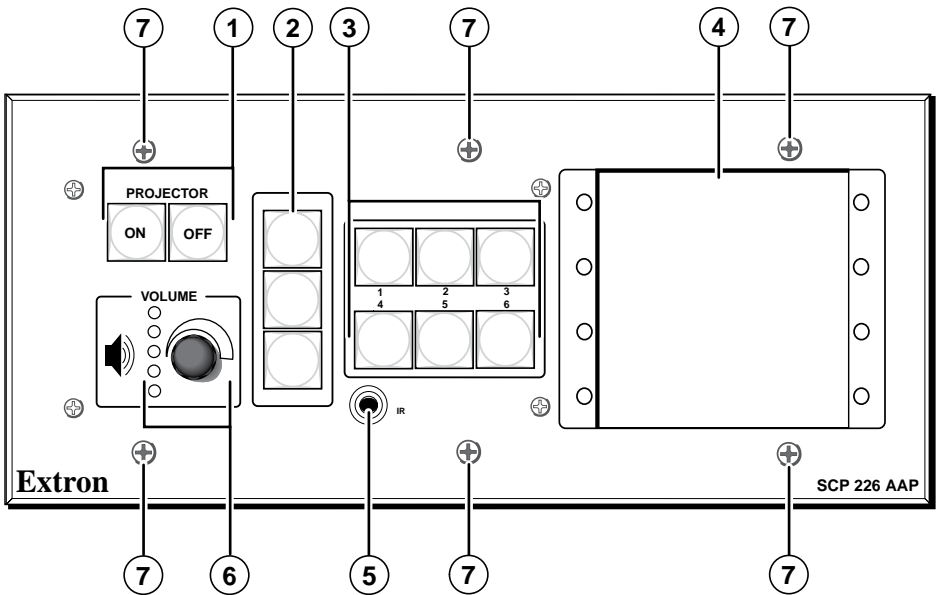


Figure 23. SCP 226 AAP Front Panel

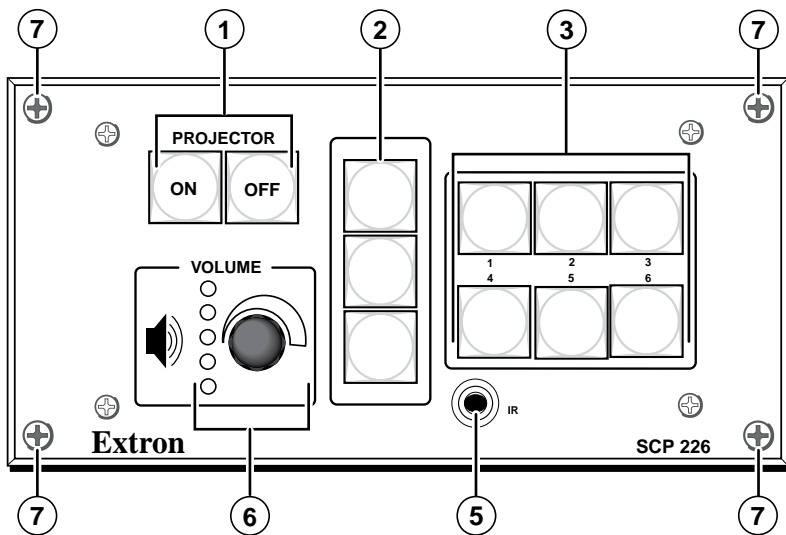


Figure 24. SCP 226 L Front Panel

- ① **On and Off buttons** — Press these buttons to turn the projector or display on and off. The buttons flash while the display device is warming up or cooling down, then light steadily.
- ② and ③:

Function/Input buttons — These sets of buttons are replicas of buttons on the MLC 104/226 and the System 5 IP front panels. At the MLC or System 5 IP, these buttons can be programmed to perform a wide range of functions, including input selection and room control (for example, raising, stopping, and lowering a screen or turning room lights on and off).

The SCP 104 models have four of these buttons, while the SCP 226 models have nine. (The buttons indicated by ② in the front panel illustrations have a different set of switch numbers from those indicated by ③.)

NOTE: On the SCP 226 when it is connected to a System 5 IP, the buttons indicated by ② function as room control buttons. In addition, button #6 in the ③ group also functions as a room button. These four room buttons are the only front panel buttons that can be programmed from the System 5 IP to light green, red, or amber.

- ④ **AAP mounting spaces (SCP AAP models only)** — Mount up to four single space AAPs or control modules (IRCMs or RCMs) here.
- ⑤ **IR signal pickup sensor (SCP 226 models only)** — This sensor allows control of the SCP 226 using an optional Extron IR 402 remote control. Point the remote directly at the sensor. The remote has a range of approximately 30 feet (12 m) within 40 degrees on either side of the axis. Figure 25 shows use of the IR 402 with an SCP 226 L.

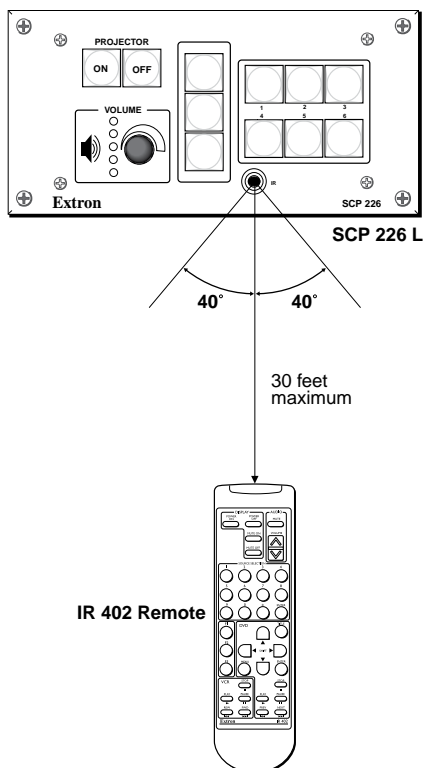


Figure 25. Using the IR 402 with an SCP 226

- ⑥ **Volume knob and indicator LEDs** — Turn this knob to adjust the volume on the input that is currently selected. The five LEDs light incrementally, bottom to top, to indicate the current volume level, as shown in figure 26. The top LED is red; the others are green.

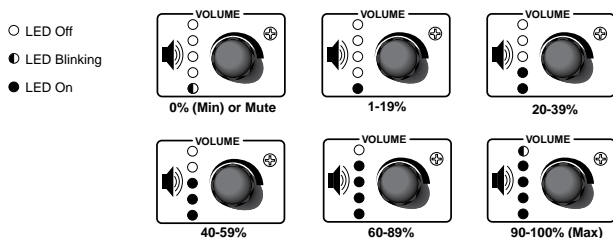


Figure 26. Volume Indicator LEDs

- ⑦ **Faceplate attachment screws** — These four screws (six, on the SCP 226 AAP) secure the faceplate to the SCP.

ATTENTION: Do not remove these screws after the SCP has been installed in a wall or lectern.

Resetting

To reset the SCP to the factory default version of the firmware, press and hold the buttons numbered 1 and 3 on the front panel while applying power to the unit.

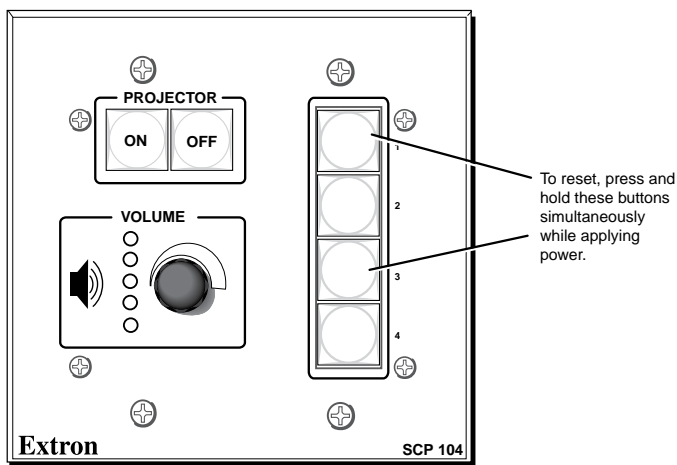


Figure 27. Resetting the SCP 104 to Factory Defaults

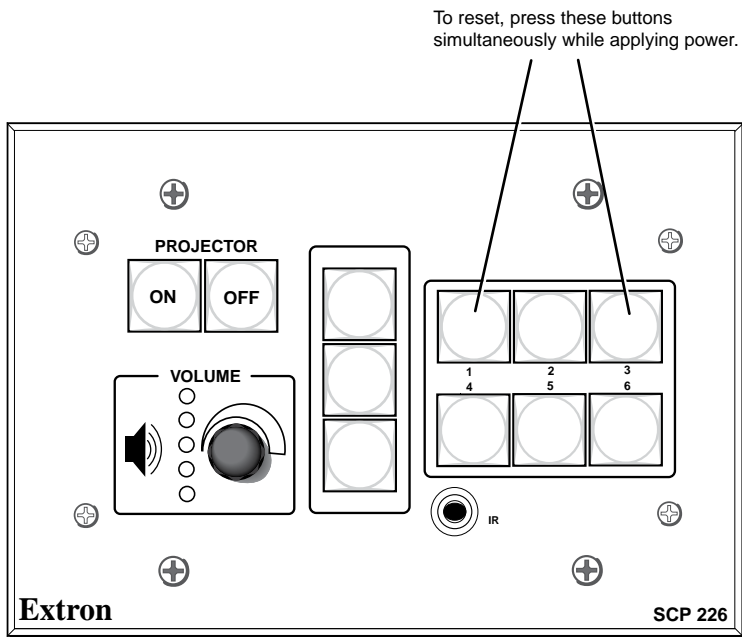


Figure 28. Resetting the SCP 226 to Factory Defaults

Updating the Firmware

If necessary, you can replace the firmware on the SCP without changing firmware chips. This procedure must be performed using a computer on which the Firmware Loader software has been installed. The RS-232 port on the computer must be directly cabled to the RS-232 port on the SCP.

ATTENTION: Do not attempt to upload firmware if an MLC or a System 5 IP is connected to the SCP. The RS-232 cable from the PC must be connected directly to the SCP.

NOTE: Each time that you replace the existing firmware, the SCP is reset to the factory default settings.

Obtaining the Firmware Loader Program

Use the Firmware Loader program to upload a new version of firmware to the SCP. You can obtain the Firmware Loader from the Extron website as follows:

1. Visit the Extron website at www.extron.com.
2. On the Extron home page, select the **DownLoad** tab.

- On the Download Center screen, click **Software** on the left sidebar menu. The Download Center Control Software screen appears.
- On the software list, scroll to locate Firmware Loader and click on the **Download** link at right.

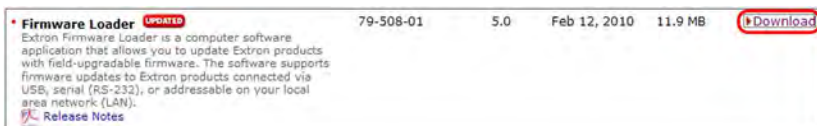


Figure 29. Download Link for Firmware Loader

- On the next download screen, fill in the required information, then click the **Download fw_loader_vnxn.exe** button.
- On the File Download – Security Warning window, click **Run** to proceed with downloading the Firmware Loader.
- On the next screen, click **Run** again.
- Follow the instructions on the InstallShield wizard screens to install the Firmware Loader on your computer.

Loading Firmware to the SCP

To update the firmware on your SCP:

- Visit the Extron website (www.extron.com) and click the **Download** tab.
- On the Download Center screen, click **Firmware** on the left sidebar menu. The Download Center Firmware screen appears.
- Locate SCP 104/226 on the firmware list and click on the **Download** link at right.
- Follow the instructions on the subsequent screens to download and install the latest firmware on your computer. By default the firmware file is placed at:
C:\Program Files\Extron\Firmware\SCP_104_226\01
- Connect a cable between the SCP RS-232 port and the serial (RS-232) port of your computer (see ④, **Serial port**, under “Rear Panel Features and Connections” on page 10).
- Ensure that power is connected to the SCP.
- Set DIP switch #1 to On (up), as shown below.

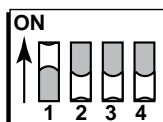


Figure 30. DIP Switch #1 Set to On

8. Start the Firmware Loader program by clicking the Firmware Loader icon on your computer **Start** menu. The Firmware Loader Add Device screen appears.



Figure 31. Firmware Loader Add Device Screen

9. From the four drop-down menus, select the following:
- **Device Name:** SCP 104 or SCP 226
 - **Connection Method:** RS-232
 - **Com Port:** Select the Com port through which your SCP will communicate with your PC via RS-232.
 - **Baud Rate:** 9600
10. Click **Connect**. When the computer connects to the SCP, the following message appears in the Connected Device field:

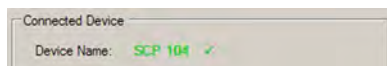


Figure 32. Successful Connection Message

11. In the New Firmware File (Optional) section of the Add Device screen, click **Browse**.

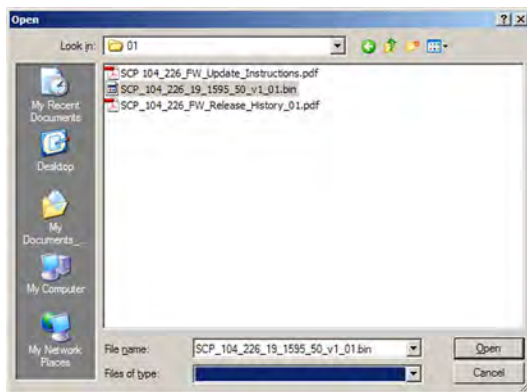


Figure 33. Open Window for Firmware

- In the Open window, locate and double-click on the firmware filename (it has a .bin extension).

NOTE: The firmware update file must have a filename extension of **.bin**. If the file does not have that extension, the unit does not function properly.

The path to the firmware file is displayed in the Path field of the New Firmware File (Optional) section. (By default, the firmware file is located at C:\Program Files\Extron\Firmware\SCP_104_226\01.)

- Click **Add**. The Firmware Loader window opens, with information about your selected firmware file displayed in the Devices field.
- Click **Begin** to start the firmware uploading process.

A prompt window opens, advising you not to start any programs while the firmware is uploading. Click **OK** to continue.

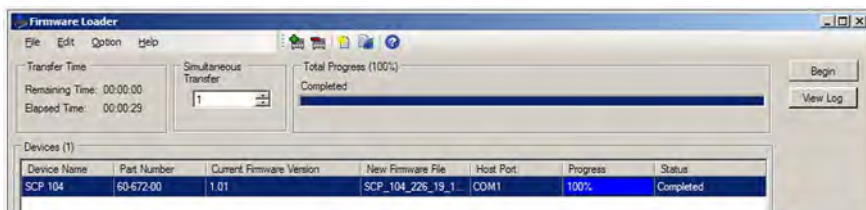


Figure 34. Firmware Loader Screen with Update Complete

- When the firmware update is finished, **Completed** appears above the Total Progress bar. In the Devices section, the Progress column displays **100%**, and the Status column displays **Completed**. Close the Firmware Loader window.

Remote Communication

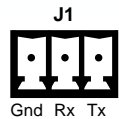
This section discusses use of SIS commands via RS-232 communication to monitor and get information from the SCP. It contains lists and explanations of the SIS commands that are available for the SCP.

Topics that are covered include:

- [Setting Up RS-232 Communication](#)
- [Communications Between the Host and the SCP](#)
- [Using SIS Commands](#)
- [Using the Switch and Button Table](#)

Setting Up RS-232 Communication

The RS-232 interface allows you to obtain information about the SCP and to activate certain SCP functions from a host computer or other device (such as a control system) attached to the rear panel RS-232 port (shown at right). (For information on wiring this port, see "[Wiring the RS-232 Port](#)" on page 10.)



Use the following protocol settings for your computer:

Baud rate: 9600

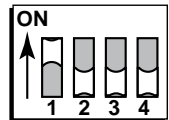
Data bits: 8

Parity: None

Stop Bits: 1

Flow Control: None

NOTE: For RS-232 communication, DIP switch #1 must be set to On (up).



Communications Between the Host and the SCP

SIS commands consist of one or more characters per field. No special characters are required to begin or end a command sequence. When the SCP determines that a command is valid, it executes the command and sends a response to the host device.

Most responses from the panel to the host end with a carriage return and a line feed (CR/LF), which signals the end of the response character string. A string is one or more characters.

SCP-initiated Messages

At power-up, the following SCP-initiated message appears:

(c) Copyright 20nn, Extron Electronics, SCP 104 [or 226],
Vn.nn

NOTE: This message is displayed only at power-up.

When a local event such as a front panel selection takes place, the SCP 104/226 responds by sending a message to the host indicating what selection was entered (see “**Switch responses**” in the [Command and Response Table for Special Function SIS Commands](#) on page 38).

No response to these messages is required from the host.

Error Responses

When the SCP 104/226 receives a valid SIS command, it executes the command and sends a response to the host device. If the SCP is unable to execute the command because the command is invalid or contains invalid parameters, the SCP returns an error response to the host.

Error response codes and their descriptions are shown below. Each error response is followed by a carriage return.

E10 – Invalid command

E13 – Invalid command parameter

E23 – Bad checksum

E28 – Bad filename/File not found

Using SIS Commands

SIS commands can be used with the SCP 104/226 only when it is in standalone mode; that is, DIP switch #1 on the rear panel is in the On (up) position. The available commands enable you to test the front panel LEDs and buttons, and to query for certain information about the SCP.

NOTE: You cannot program SCP buttons or switches using SIS commands. The SCP buttons reflect only what is programmed for the MLC or the System 5 IP to which the SCP is connected.

Using the Command and Response Tables

The command and response tables on the following pages list valid command ASCII codes, the SCP responses to the host, and a description of the command function or the results of executing the command.

The ASCII to hexadecimal conversion table below is for use with the command and response tables.

		ASCII to Hex Conversion Table																Esc	1B	CR	0D	LF	0A
Space	→	20	!	21	"	22	#	23	\$	24	%	25	&	26	'	27							
		(28)	29	*	2A	+	2B	,	2C	-	2D	.	2E	/	2F						
		0	30	1	31	2	32	3	33	4	34	5	35	6	36	7	37						
		8	38	9	39	:	3A	;	3B	<	3C	=	3D	>	3E	?	3F						
		@	40	A	41	B	42	C	43	D	44	E	45	F	46	G	47						
		H	48	I	49	J	4A	K	4B	L	4C	M	4D	N	4E	O	4F						
		P	50	Q	51	R	52	S	53	T	54	U	55	V	56	W	57						
		X	58	Y	59	Z	5A	[5B	\	5C]	5D	^	5E	_	5F						
		`	60	a	61	b	62	c	63	d	64	e	65	f	66	g	67						
		h	68	i	69	j	6A	k	6B	l	6C	m	6D	n	6E	o	6F						
		p	70	q	71	r	72	s	73	t	74	u	75	v	76	w	77						
		x	78	y	79	z	7A	{	7B		7C	}	7D	~	7E	DEL	7F						

Symbol Definitions

↵ = CR/LF (carriage return/line feed) (hex 0D 0A)

↶ = Soft carriage return (no line feed)

Esc = Escape key

• = Space

X1 = Firmware number

NOTES: • Unless otherwise indicated, commands are not case sensitive.

- Although most of the ASCII commands are not case sensitive, each uppercase and lowercase letter has its own hex code. For example, the hex equivalent for uppercase Q is 51; the code for lowercase q is 71. The hex codes for both versions of the same letter can be used interchangeably unless otherwise stated.

In the SIS command and response tables, only the lowercase version of the command and its hex equivalent are shown.

34 Command and Response Table for SIS Commands

Command	ASCII Command (Host to SCP)	Hex (Host to SCP)	Response (SCP to Host)	Additional Description
Information Requests				
Query firmware version	q	71	X1 ↵	Show current firmware version X1 .
Query firmware version — factory and updated	Øq	3Ø 71	x.xx, y.yyy ↵	x.xx = factory firmware version number format. y.yyy = updated firmware version number format.
<i>Example</i>	Øq	3Ø 71	1.ØØ, 1.Ø1 ↵	The factory version is 1.00; the updated version is 1.01.
Query firmware version — factory	q or 1q	31 71	x.xx ↵	
Query firmware version — updated	2q	32 71	y.yy ↵	
Query part number	n	6E	6Ø-671- <i>nn</i> ↵ or 6Ø-672- <i>nn</i> ↵	60-671- <i>nn</i> = SCP 226 60-672- <i>nn</i> = SCP 104
Query model name and description	i	69	SCP <i>nnn</i> ↵	<i>nnn</i> = 104 or 226

Command	ASCII Command (Host to SCP)	Hex (Host to SCP)	Response (SCP to Host)	Additional Description
Information Requests (continued)				
Request control module and connected modules (for 3-pole connection only)	32i	33 32 69	P1nn • K1nn • K2nn • K3nn • K4nn • ←	<p>P1nn = SCP address</p> <p>K1nn = control module 1; address 00</p> <p>K2nn = control module 2; address 01</p> <p>K3nn = control module 3; address 02</p> <p>K4nn = control module 4; address 03</p>
<p>nn indicates whether a connection is present or not present and the technology type:</p> <p>00 = not present, 01 = present or IRCM-VCR, 02 = IRCM-DVD, 03 = IRCM-DVD+, 06 = RCM-SC, 07 = RCM-SCLT, 08 = IRCM-Tape, 09 = CM-5BB, 10 = CM-20BB, 11 = IRCM-DV+, 12 = CM-9BLB, 13 = CM-3BLB, 14 = CM-19AC, 99 = Unrecognized</p>				
Volume Relative Function				
Volume up	+v	2B 76	Vo1Up ←	
Volume down	-v	2D 76	Vo1Dn ←	

Command	ASCII Command (Host to SCP)	Hex (Host to SCP)	Response (SCP to Host)	Additional Description
Upload Firmware				
Upload firmware	<code>[Esc] Upload ←</code>		Go ↵ Up1 ↵	When you receive the Go response, upload the firmware according to the procedure for your terminal emulator. When the upload is complete, you receive the Up1 response.
Reset to Default Settings				
Reset to factory defaults	<code>[Esc] zxxx ←</code>	7A 78 78 78	ZapX ↵	Sets all button LEDs to amber.

Special Function SIS Commands

The syntax for setting a special function for an SCP 104/226 is $\boxed{x?} * \boxed{y?} * _ \#$, where $\boxed{x?}$ is the value of the action to be performed, $\boxed{y?}$ is the value for the button or switch, and $_ \#$ is the function number.

To view the setting of a function, use $_ \#$, where $_$ is the function number. In the following tables the values of the function and variables are different for each command or function. These values are given in the far right column.

Command and Response Table for Special Function SIS Commands

Command	ASCII Command (Host to SCP)	Response (SCP to Host)	X? and Y? Values and Additional Descriptions
Switch Responses			
Button press on front panel or remote control	(none)	SwPrs * X? ←	X? = Switch number for the function. There are 128 options available (1-128; see the Switch and Button Table on page 44 for these values).
Button release on front panel or remote control	(none)	SwRls * X? ←	X? = the function switch number (128 options; see the Switch and Button Table for the functions associated with the switches).
IRCM/RCM Enablement			
Enable IRCM-DV+	X? * Y? * 53#	Rcm Y? * X? ←	X? = remote state: Y? = remote address: 0 = off 1 = on 0 = IRCM 1 1 = IRCM 2 2 = IRCM 3 3 = IRCM 4
Read RCM	Y? * 53#	Rcm Y? * X? _ ←	Indicates the On/Off status of the selected remote control.

Command	ASCII Command (Host to SCP)	Response (SCP to Host)	X? and Y? Values and Additional Descriptions
Front Panel Button LED Control			
FPC lamp control	X? * Y? * 51#	Lmp Y? * X? ↵	<p>X? = LED state:</p> <ul style="list-style-type: none"> Ø = all LEDs off 1 = green LED on 2 = red LED on 3 = green and red LEDs on (Button lights amber.) 4 = slow blink green 5 = slow blink red 6 = slow blink amber 7 = fast blink green 8 = fast blink red 9 = fast blink amber <p>Y? = Button:</p> <ul style="list-style-type: none"> Ø = no button 1 = projector on 2 = projector off 3 = function 1 4 = function 2 5 = function 3 6 = input 1 7 = input 2 8 = input 3 9 = input 4 1Ø = input 5 11 = input 6
Read FPC lamp	Y? * 51#	Lmp Y? * X? _ ↵	
Volume LED Control			
FPC volume LED control	X? * Y? * 52#	Vlmp Y? * X? ↵	<p>X? = LED blinking order:</p> <ul style="list-style-type: none"> Ø = off 1 = bottom 2 = blink on 3 = chase up 4 = chase down <p>Y? = LED selected:</p> <ul style="list-style-type: none"> Ø = no LED 1 = bottom LED 2 = LED 2 3 = LED 3 4 = LED 4 5 = LED 5
Read volume LED status	Y? * 52#	Vlmp Y? * X? _ ↵	

Using the Switch and Button Table

Switches are assigned to specific buttons on the SCP, any attached remote control module (IRCM or RCM), or the IR 402 remote. Each time a button is pressed or released, or a knob is turned on the SCP or a control module, the switch number associated with that button appears on the screen of your PC terminal emulator (for example, HyperTerminal or DataViewer) as part of the host response.

On most of the special function SIS commands, the switch number is the value that you enter as part of the command (see "[Command and Response Table for Special Function SIS Commands](#)" on page 38).

The [Switch and Button table](#) on page 44 shows which switch number is associated with each button or knob on the SCP, control module, or IR 402. In the Switch column, locate the switch number displayed on your terminal emulator, then look in the Button column beside the number to find out which button was pressed or released.

- NOTES:**
- The SCP does not use all of the available buttons and switches.
 - No buttons can be programmed via the SCP.

Switch Number Locations

Figures [35](#) and [36](#) on the next page and figure [37](#) on page 42 show the button and switch memory block numbering on the SCP front panels and on the IR 402 remote control (see the [Switch and Button table](#)). The switch locations are the same on the SCP 104/226 AAP and on the SCP 226 L.

Front panel switch locations

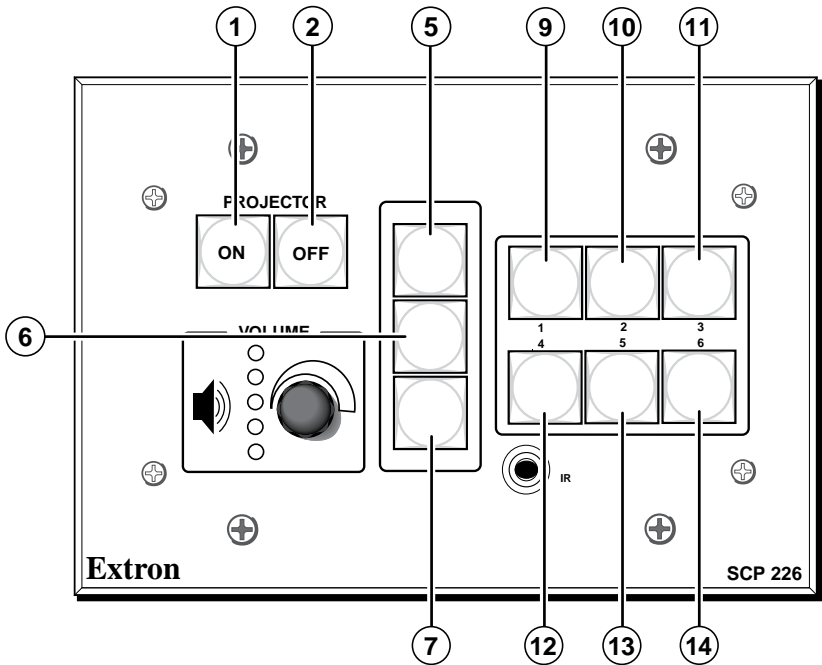


Figure 35. Switch Locations on the SCP 226

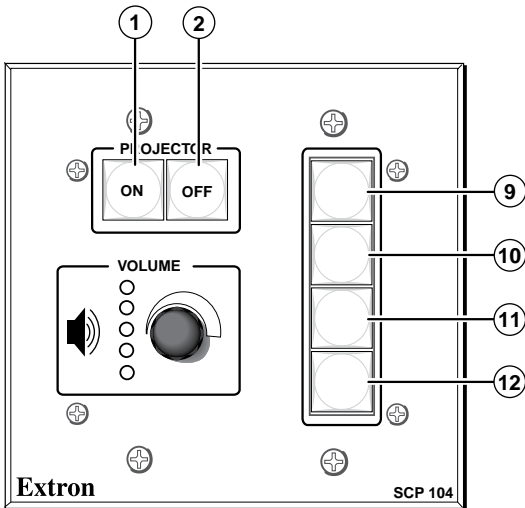


Figure 36. Switch Locations on the SCP 104

IR 402 switch locations

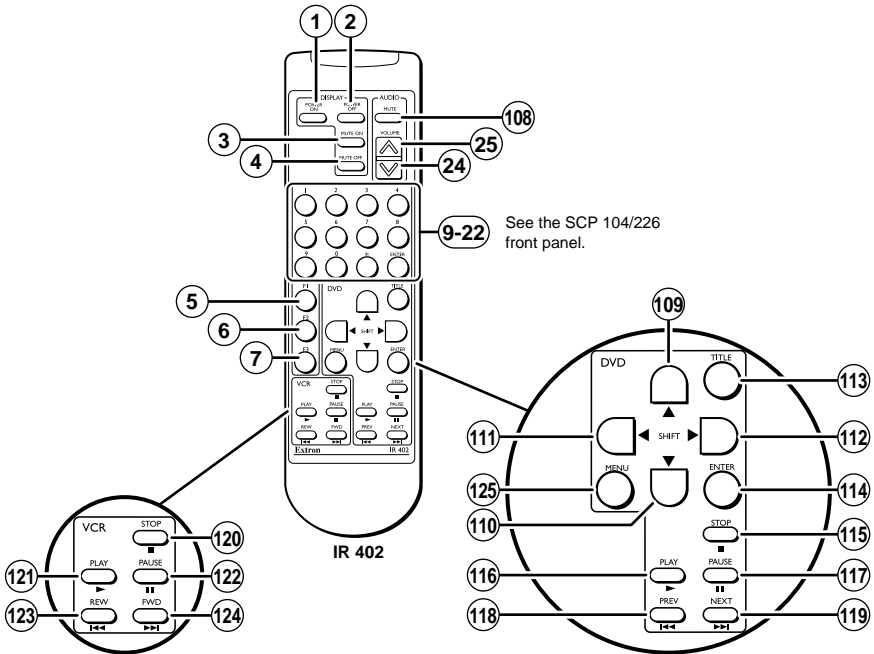


Figure 37. Switch Numbering for the IR 402 Remote Control

Control modules switch locations

Each control module (IRCM or RCM) has 20 switches reserved for it, no matter how many buttons are physically present on the module.

Module 1: switches 26-43

Module 2: switches 46-65

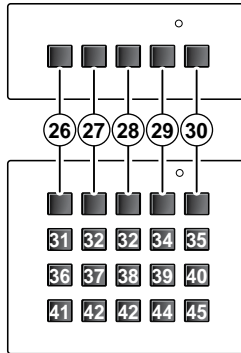
Module 3: switches 66-85

Module 4: switches 86-105

Switch numbers are sequential from left to right, top row to bottom row, as shown in [figure 38](#) on the next page.

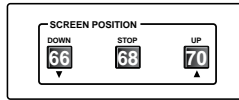
Button/Switch Numbering Scheme for Any Type of Module

(Example is for Control Module 1.)



Button/Switch Numbering Examples

RCM-SC with DIP Switch Set for Address 2 (Module 3)



Module 3 has switches 66 to 85.

IRCM-DV+ with DIP Switch Set for Addresses 0 and 1 (Modules 1 and 2)

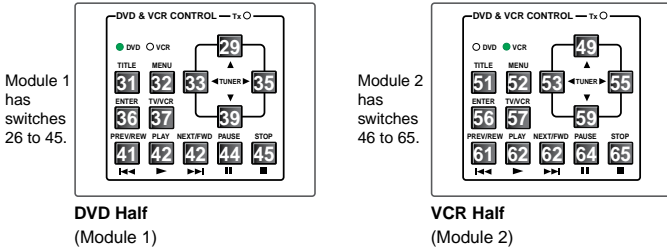


Figure 38. Switch Numbering for Control Modules (IRCMs and RCMs)

Switch and Button Table

Switch	Button	Switch	Button	Switch	Button
1	Projector on	44	CM0_19	87	CM3_2
2	Projector off	45	CM0_20	88	CM3_3
3	Display mute on	46	CM1_1	89	CM3_4
4	Display mute off	47	CM1_2	90	CM3_5
5	Func. Button 1	48	CM1_3	91	CM3_6
6	Func. Button 2	49	CM1_4	92	CM3_7
7	Func. Button 3	50	CM1_5	93	CM3_8
8	Func. Button 4	51	CM1_6	94	CM3_9
9	Input channel 1	52	CM1_7	95	CM3_10
10	Input channel 2	53	CM1_8	96	CM3_11
11	Input channel 3	54	CM1_9	97	CM3_12
12	Input channel 4	55	CM1_10	98	CM3_13
13	Input channel 5	56	CM1_11	99	CM3_14
14	Input channel 6	57	CM1_12	100	CM3_15
15	Not available	58	CM1_13	101	CM3_16
16	Not available	59	CM1_14	102	CM3_17
17	Not available	60	CM1_15	103	CM3_18
18	Not available	61	CM1_16	104	CM3_19
19	Not available	62	CM1_17	105	CM3_20
20	Not available	63	CM1_18	106	Not available
21	Not available	64	CM1_19	107	Not available
22	Not available	65	CM1_20	108	Audio mute
23	Not available	66	CM2_1	109	Arrow up
24	IR volume up	67	CM2_2	110	Arrow down
25	IR volume down	68	CM2_3	111	Arrow left
26	CM0_1	69	CM2_4	112	Arrow right
27	CM0_2	70	CM2_5	113	Title
28	CM0_3	71	CM2_6	114	Enter – DVD
29	CM0_4	72	CM2_7	115	Stop – DVD
30	CM0_5	73	CM2_8	116	Play – DVD
31	CM0_6	74	CM2_9	117	Pause – DVD
32	CM0_7	75	CM2_10	118	Previous – DVD
33	CM0_8	76	CM2_11	119	Next – DVD
34	CM0_9	77	CM2_12	120	Stop – VCR
35	CM0_10	78	CM2_13	121	Play – VCR
36	CM0_11	79	CM2_14	122	Pause – VCR
37	CM0_12	80	CM2_15	123	Rewind – VCR
38	CM0_13	81	CM2_16	124	Forward – VCR
39	CM0_14	82	CM2_17	125	Menu – DVD
40	CM0_15	83	CM2_18	126	Undefined
41	CM0_16	84	CM2_19	127	Undefined
42	CM0_17	85	CM2_20	128	Not valid
43	CM0_18	86	CM3_1		

Reference Information

This section contains reference information for all SCP 104 and SCP 226 models. Topics include:

- [Part Numbers](#)
- [Cutout Templates](#)

Part Numbers

The following tables show the part numbers for the SCP 104 and SCP 226 models and for the equipment and accessories that are used with the SCP.

Models

The SCP 104 and SCP 226 are available in the following configurations:

Models	Part Numbers
SCP 104 (black or white)	60-672-02, -03
SCP 104 AAP (black)	60-672-12
SCP 226 (black or white)	60-671-02, -03
SCP 226 AAP (black or white)	60-671-12, -13
SCP 226 L (black or white)	60-671-32

Included Parts

These items are included in each order for an SCP 104 or SCP 226.

Models	Part Numbers
3.5 mm, 5-pole male captive screw connector (2)	100-460-01
3.5 mm, 3-pole captive screw connector	100-459-01
ESD cable	
SCP 104/226 User Guide	
Replacement Button Caps kit	70-352-01
Button labels – SCP 226	33-1762-01 33-1763-01
Button Labels – SCP 104	33-1762-01

Recommended Cables

Cable Types	Part Numbers
CTLP/1000 Plenum 1000' (300 m) spool	22-119-03
CTL/1000 Non-Plenum 1000' (300 m) spool	22-148-03

Accessories

Check the Extron website (www.extron.com) for available accessories.

Mounting Options	Part Numbers
Mounting brackets (mud rings):	
MR 200 2-gang (black or white)	70-519-22, -23
MR 300 3-gang (black or white)	70-519-32, -33
MR 400 4-gang (black or white)	70-519-42, -43
MR 500 5-gang (black or white)	70-519-52, -53
External Wall Box (EWB)	
EWB 102 2-gang (black or white)	60-1162-02, -03
EWB 103 3-gang (black or white)	60-1163-02, -03
EWB 104 4-gang (black or white)	60-1164-02, -03
EWB 105 5-gang (black or white)	60-1165-02, -03
Surface Mounting Box (SMB)	
SMB 102 2-gang (black)	60-640-02
SMB 103 3-gang (black)	60-641-02
SMB 104 4-gang (black)	60-642-02
SMB 105 5-gang (black)	60-643-02
Other Mounting Options	
MLM-WB+ (black)	60-458-03
UCM RAAP (black, white)	70-344-02, -03

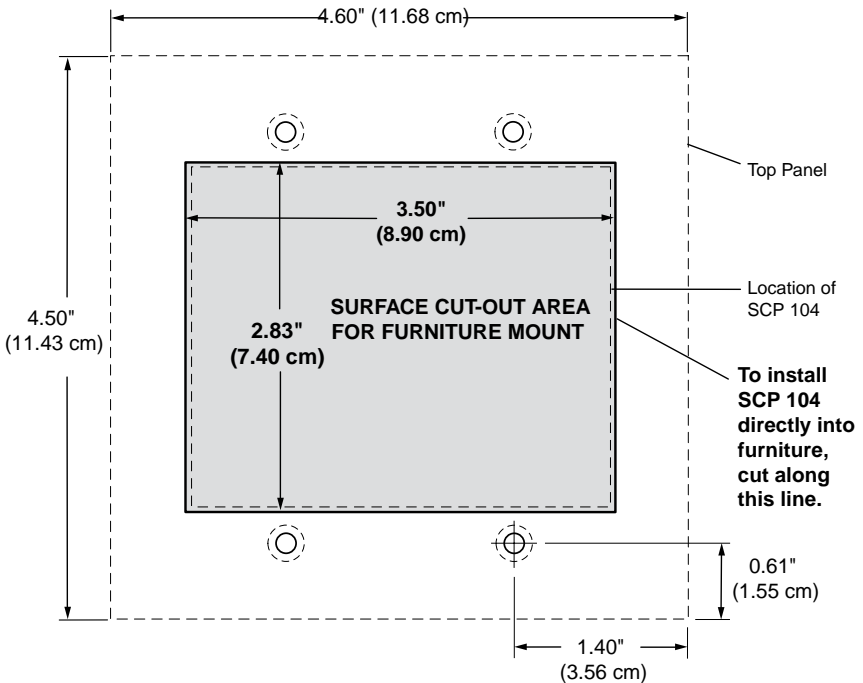
Cutout Templates

This section contains the following cutout templates:

- SCP 104 Cutout Template
- SCP 104 AAP Cutout Template
- SCP 226 Cutout Template
- SCP 226 AAP Cutout Template
- SCP 226 L Cutout Template

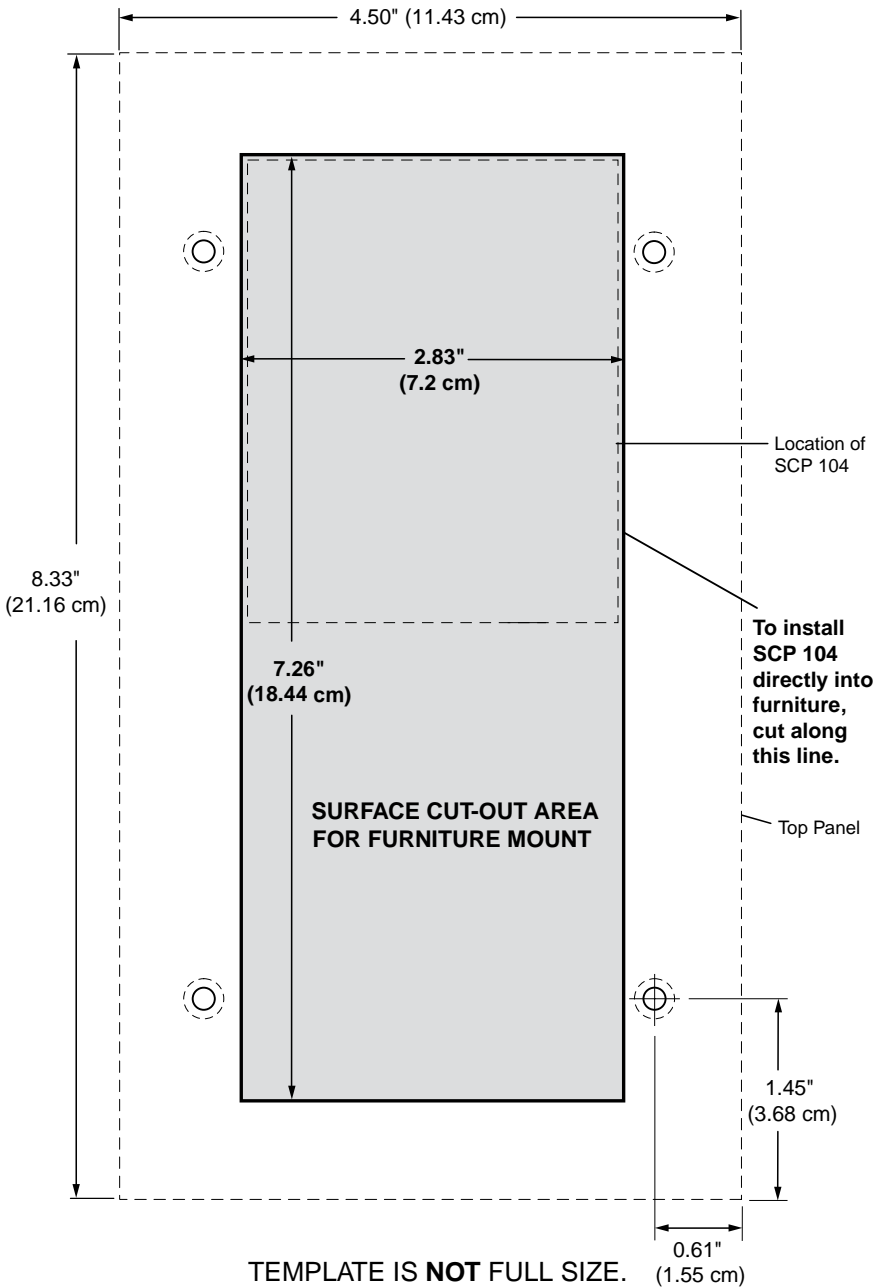
NOTE: These templates are not to scale and are provided for reference only.

SCP 104 Cutout Template

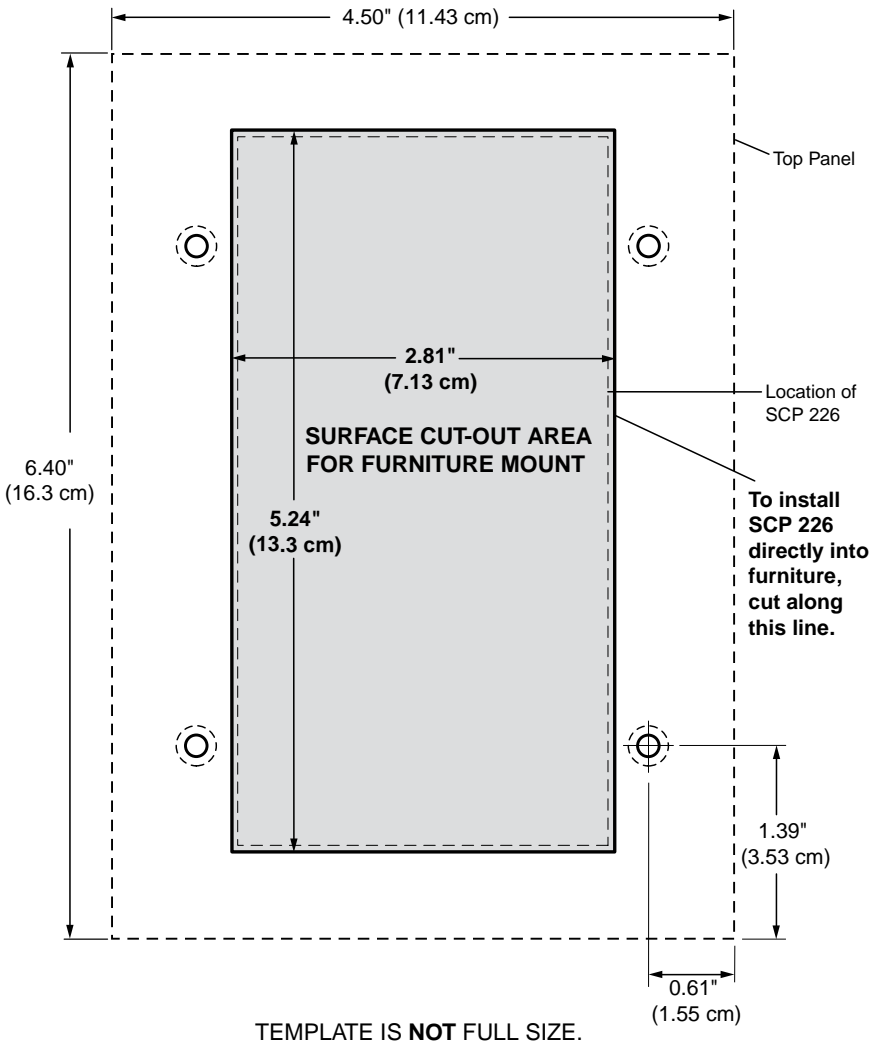


TEMPLATE IS **NOT** FULL SIZE.

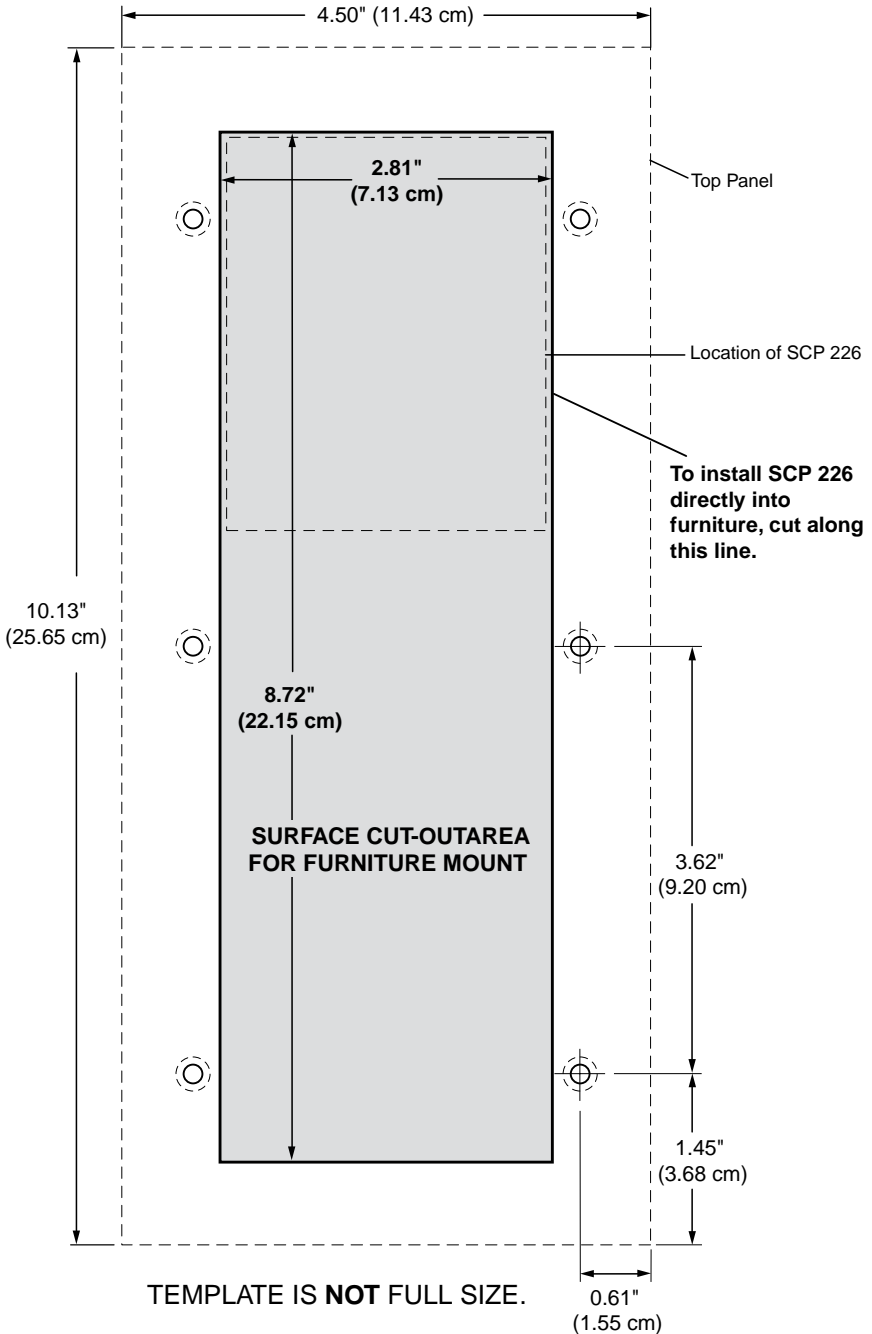
SCP 104 AAP Cutout Template



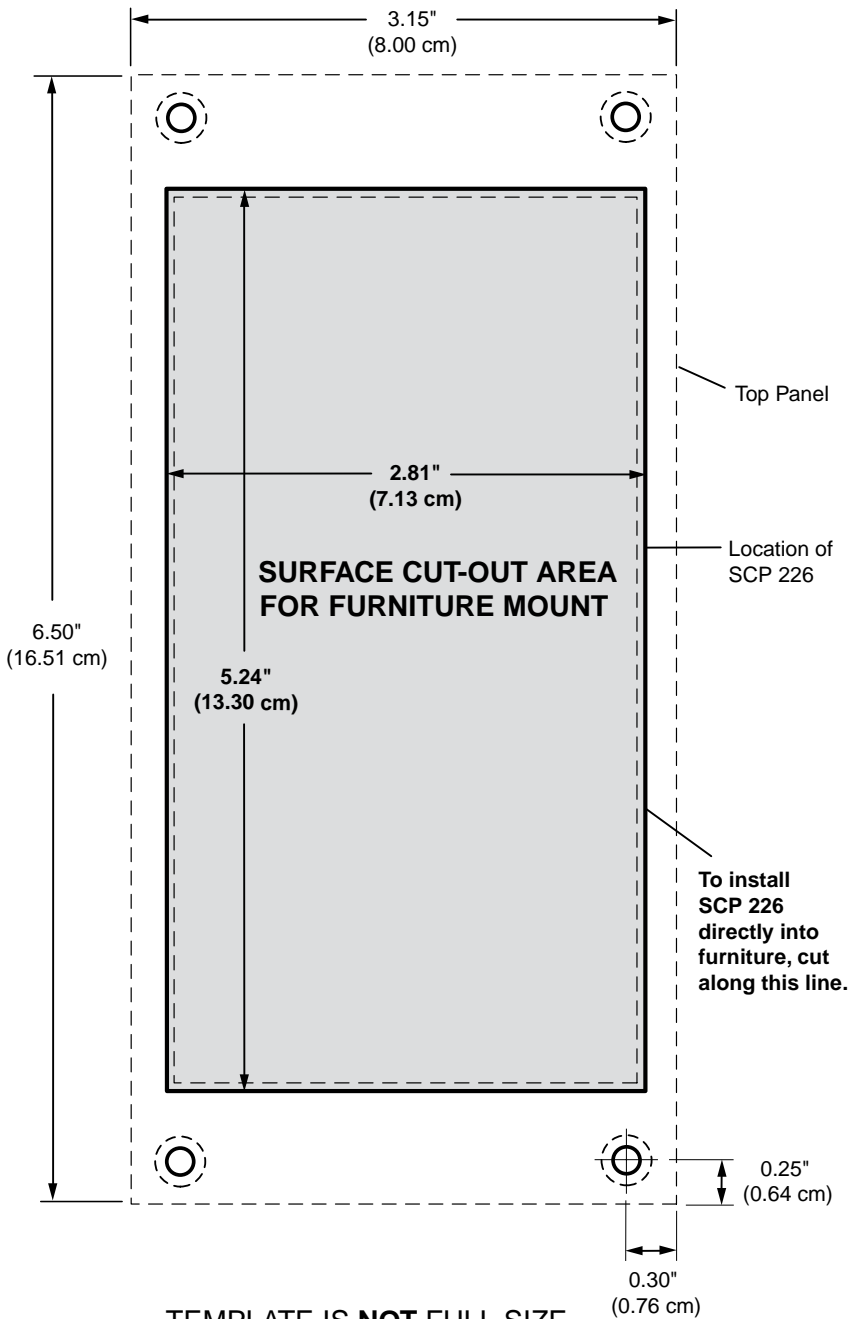
SCP 226 Cutout Template



SCP 226 AAP Cutout Template



SCP 226 L Cutout Template



Extron Warranty

Extron Electronics warrants this product against defects in materials and workmanship for a period of three years from the date of purchase. In the event of malfunction during the warranty period attributable directly to faulty workmanship and/or materials, Extron Electronics will, at its option, repair or replace said products or components, to whatever extent it shall deem necessary to restore said product to proper operating condition, provided that it is returned within the warranty period, with proof of purchase and description of malfunction to:

**USA, Canada, South America,
and Central America:**

Extron Electronics
1001 East Ball Road
Anaheim, CA 92805
U.S.A.

Japan:

Extron Electronics, Japan
Kyodo Building, 16 Ichibancho
Chiyoda-ku, Tokyo 102-0082
Japan

Europe and Africa:

Extron Europe
Hanzeboulevard 10
3825 PH Amersfoort
The Netherlands

China:

Extron China
686 Ronghua Road
Songjiang District
Shanghai 201611
China

Asia:

Extron Asia
135 Joo Seng Road, #04-01
PM Industrial Bldg.
Singapore 368363
Singapore

Middle East:

Extron Middle East
Dubai Airport Free Zone
F12, PO Box 293666
United Arab Emirates, Dubai

This Limited Warranty does not apply if the fault has been caused by misuse, improper handling care, electrical or mechanical abuse, abnormal operating conditions, or if modifications were made to the product that were not authorized by Extron.

NOTE: If a product is defective, please call Extron and ask for an application engineer to receive an RA (return authorization) number. This will begin the repair process.

USA: 714.491.1500 or 800.633-9876

Europe: 31.33.453.4040

Asia: 65.6383.4400

Japan: 81.3.3511.7655

Units must be returned insured, with shipping charges prepaid. If not insured, you assume the risk of loss or damage during shipment. Returned units must include the serial number and a description of the problem, as well as the name of the person to contact in case there are any questions.

Extron Electronics makes no further warranties either expressed or implied with respect to the product and its quality, performance, merchantability, or fitness for any particular use. In no event will Extron Electronics be liable for direct, indirect, or consequential damages resulting from any defect in this product even if Extron Electronics has been advised of such damage.

Please note that laws vary from state to state and country to country, and that some provisions of this warranty may not apply to you.

Extron USA Headquarters +800.633.9876 (Inside USA/Canada Only)		Extron Europe +800.3987.6673 (Inside Europe Only) +31.33.453.4040 +31.33.453.4050 FAX	Extron India 1800.3070.3777 (Inside India Only) +91-80 3055.3777 +91 80 3055 3737 FAX
Extron USA - West +1.714.491.1500 +1.714.491.1517 FAX	Extron USA - East +1.919.850.1000 +1.919.850.1001 FAX	Extron Japan +81.3.3511.7655 +81.3.3511.7656 FAX	Extron China +4000.EXTRON +4000.398766 Inside China Only
Extron Asia +800.7339.8766 Inside Asia Only +65.6383.4400 +65.6383.4664 FAX	Extron Middle East +971.4.2991800 +971.4.2991880 FAX	Extron Korea +82.2.3444.1571 +82.2.3444.1575 FAX	+86.21.3760.1568 +86.21.3760.1566 FAX