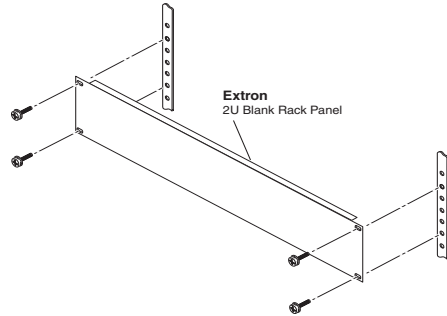


Blank Rack Panel Installation Instructions

The Extron Blank Rack Panel provides rack uniformity by filling gaps between Extron rack-mountable products. The rack panel integrates seamlessly into standard 19" equipment racks and is available in 1U, 2U, 3U, 4U, 5U, and 6U sizes. Mount the rack panel to the front of the equipment rack as follows:

1. Position the rack panel to cover a gap on the equipment rack, aligning the holes in the rack panel with those of the rack.
2. Secure the rack panel to the equipment rack using the supplied machine screws.



Extron Electronics, USA
1230 South Lewis Street
Anaheim, CA 92805
USA
714.491.1500
Fax 714.491.1517

Extron Electronics, Europe
Beeldschermweg 6C
3821 AH Amersfoort
The Netherlands
+31.33.453.4040
Fax +31.33.453.4050

Extron Electronics, Asia
135 Joo Seng Road, #04-01
PM Industrial Building
Singapore 368363
+65.6383.4400
Fax +65.6383.4664

Extron Electronics, Japan
Daisan DMJ Building 6F
3-9-1 Kudan Minami
Chiyoda-ku, Tokyo 102-0074 Japan
+81.3.3511.7655
Fax +81.3.3511.7656

68-1029-01
Rev. A
07 04