

CA 43T Column Array Speaker


Column Array Speaker Series




User Guide

Safety Instructions


Safety Instructions • English


WARNING: This symbol, , when used on the product, is intended to alert the user of the presence of uninsulated dangerous voltage within the product's enclosure that may present a risk of electric shock.

ATTENTION: This symbol, , when used on the product, is intended to alert the user of important operating and maintenance (servicing) instructions in the literature provided with the equipment.

For information on safety guidelines, regulatory compliances, EMI/EMF compatibility, accessibility, and related topics, see the Extron Safety and Regulatory Compliance Guide, part number 68-290-01, on the Extron website, www.extron.com.


تعليمات السلامة • العربية


تحذير: هذا الرمز، , عند استخدامه على المنتج، مخصص لتنبيه المستخدم فيما يتعلق بوجود جهد كهربائي غير معزول على الغلاف الخارجي للمنتج وهو ما قد ينطوي على مخاطر حدوث صدمة كهربائية.

انتبه: هذا الرمز، , عند استخدامه على المنتج، مخصص لتنبيه المستخدم بتعليمات التشغيل والصيانة الهامة (الخدمة) في المواد التي يتم توفيرها مع المعدات.

للحصول على المزيد من المعلومات حول إرشادات السلامة، والتوافق التنظيمية، والتوافق الكهرومغناطيسي/المجال الكهرومغناطيسي، وإمكانية الوصول، والموضوعات ذات الصلة، يرجى مراجعة دليل السلامة والتوافق التنظيمي الخاص بإكسترون، الجزء رقم 68-290-01، على موقع إكسترون، www.extron.com.


Sicherheitsanweisungen • Deutsch


WARUNG: Dieses Symbol  auf dem Produkt soll den Benutzer darauf aufmerksam machen, dass im Inneren des Gehäuses dieses Produktes gefährliche Spannungen herrschen, die nicht isoliert sind und die einen elektrischen Schlag verursachen können.

VORSICHT: Dieses Symbol  auf dem Produkt soll dem Benutzer in der im Lieferumfang enthaltenen Dokumentation besonders wichtige Hinweise zur Bedienung und Wartung (Instandhaltung) geben.

Weitere Informationen über die Sicherheitsrichtlinien, Produkthandhabung, EMI/EMF-Kompatibilität, Zugänglichkeit und verwandte Themen finden Sie in den Extron-Richtlinien für Sicherheit und Handhabung (Artikelnummer 68-290-01) auf der Extron-Website, www.extron.com.


Instrucciones de seguridad • Español


ADVERTENCIA: Este símbolo, , cuando se utiliza en el producto, avisa al usuario de la presencia de voltaje peligroso sin aislar dentro del producto, lo que puede representar un riesgo de descarga eléctrica.

ATENCIÓN: Este símbolo, , cuando se utiliza en el producto, avisa al usuario de la presencia de importantes instrucciones de uso y mantenimiento estas están incluidas en la documentación proporcionada con el equipo.

Para obtener información sobre directrices de seguridad, cumplimiento de normativas, compatibilidad electromagnética, accesibilidad y temas relacionados, consulte la Guía de cumplimiento de normativas y seguridad de Extron, referencia 68-290-01, en el sitio Web de Extron, www.extron.com.


Instructions de sécurité • Français


AVERTISSEMENT : Ce pictogramme, , lorsqu'il est utilisé sur le produit, signale à l'utilisateur la présence à l'intérieur du boîtier du produit d'une tension électrique dangereuse susceptible de provoquer un choc électrique.

ATTENTION : Ce pictogramme, , lorsqu'il est utilisé sur le produit, signale à l'utilisateur des instructions d'utilisation ou de maintenance importantes qui se trouvent dans la documentation fournie avec l'équipement.

Pour en savoir plus sur les règles de sécurité, la conformité à la réglementation, la compatibilité EMI/EMF, l'accessibilité, et autres sujets connexes, lisez les informations de sécurité et de conformité Extron, réf. 68-290-01, sur le site Extron, www.extron.com.


Istruzioni di sicurezza • Italiano


AVVERTENZA: Il simbolo, , se usato sul prodotto, serve ad avvertire l'utente della presenza di tensione non isolata pericolosa all'interno del contenitore del prodotto che può costituire un rischio di scosse elettriche.

ATTENZIONE: Il simbolo, , se usato sul prodotto, serve ad avvertire l'utente della presenza di importanti istruzioni di funzionamento e manutenzione nella documentazione fornita con l'apparecchio.

Per informazioni su parametri di sicurezza, conformità alle normative, compatibilità EMI/EMF, accessibilità e argomenti simili, fare riferimento alla Guida alla conformità normativa e di sicurezza di Extron, cod. articolo 68-290-01, sul sito web di Extron, www.extron.com.


Instrukcje bezpieczeństwa • Polska


OSTRZEŻENIE: Ten symbol, , gdy używany na produkt, ma na celu poinformować użytkownika o obecności izolowanego i niebezpiecznego napięcia wewnątrz obudowy produktu, który może stanowić zagrożenie porażenia prądem elektrycznym.

UWAGI: Ten symbol, , gdy używany na produkt, jest przeznaczony do ostrzeżenia użytkownika ważne operacyjne oraz instrukcje konserwacji (obsługi) w literaturze, wyposażone w sprzęt.

Informacji na temat wytycznych w sprawie bezpieczeństwa, regulacji wzajemnej zgodności, zgodność EMI/EMF, dostępności i Tematy pokrewne, zobacz Extron bezpieczeństwa i regulacyjnego zgodności przewodnik, część numer 68-290-01, na stronie internetowej Extron, www.extron.com.

Инструкция по технике безопасности • Русский

ПРЕДУПРЕЖДЕНИЕ: Данный символ, , если указан на продукте, предупреждает пользователя о наличии неизолированного опасного напряжения внутри корпуса продукта, которое может привести к поражению электрическим током.

ВНИМАНИЕ: Данный символ, , если указан на продукте, предупреждает пользователя о наличии важных инструкций по эксплуатации и обслуживанию в руководстве, прилагаемом к данному оборудованию.

Для получения информации о правилах техники безопасности, соблюдении нормативных требований, электромагнитной совместимости (ЭМП/ЭДС), возможности доступа и других вопросах см. руководство по безопасности и соблюдению нормативных требований Extron на сайте Extron: www.extron.com, номер по каталогу - 68-290-01.

安全说明 • 简体中文

警告: ⚠️ 产品上的这个标志意在警告用户，该产品机壳内有暴露的危险电压，有触电危险。

注意: ⚠️ 产品上的这个标志意在提示用户，设备随附的用户手册中有重要的操作和维护(维修)说明。

关于我们产品的安全指南、遵循的规范、EMI/EMF 的兼容性、无障碍使用的特性等相关内容，敬请访问 Extron 网站，www.extron.com，参见 Extron 安全规范指南，产品编号 68-290-01。

安全記事 • 繁體中文

警告: ⚠️ 若產品上使用此符號，是為了提醒使用者，產品機殼內存在未隔離的危險電壓，可能會導致觸電之風險。

注意: ⚠️ 若產品上使用此符號，是為了提醒使用者，設備隨附的用戶手冊中有重要的操作和維護(維修)說明。

有關安全性指導方針、法規遵守、EMI/EMF 相容性、存取範圍和相關主題的詳細資訊，請瀏覽 Extron 網站：www.extron.com，然後參閱《Extron 安全性與法規遵守手冊》，準則編號 68-290-01。

Copyright

© 2026 Extron. All rights reserved. www.extron.com

Trademarks

All trademarks mentioned in this guide are the properties of their respective owners.

The following registered trademarks (®), registered service marks (SM), and trademarks (TM) are the property of RGB Systems, Inc. or Extron (see the current list of trademarks on the [Terms of Use](#) page at www.extron.com):

Registered Trademarks (®)

Extron®, Cable Cubby®, ControlScript®, CrossPoint®, DTP®, eBUS®, EDID Manager®, EDID Minder®, eLink®, Everlast®, Flat Field®, FlexOS®, Glitch Free®, GlobalViewer®, Global Configurator®, Global Scripter®, Hideaway®, HyperLane®, IP Intercom®, IP Link®, Key Minder®, LinkLicense®, LockIt®, MediaLink®, MediaPort®, NAV®, NetPA®, PlenumVault®, PoleVault®, PowerCage®, PURE3®, Quantum®, ShareLink®, Show Me®, StudioStation®, SoundField®, SpeedMount®, SpeedSwitch®, System INTEGRATOR®, TeamWork®, TouchLink®, V-Lock®, VN-Matrix®, VoiceLift®, WallVault®, WindoWall®, XPA®, XTP®, XTP Systems®, and ZipClip®

Registered Service Mark (SM) : S3 Service Support Solutions

Trademarks (TM)

AAP™, AFL™ - Accu-RATE Frame Lock, ADSP™ - Advanced Digital Sync Processing, AVEdge™, CableCover™, CDRS™ - Class D Ripple Suppression, Codec Connect™, ConferenceShare™, DDSP™ - Digital Display Sync Processing, DMI™ - Dynamic Motion Interpolation, Driver Configurator™, DSP Configurator™, DSP Configurator Pro™, DSVP™ - Digital Sync Validation Processing, EQIP™, FastBite™, Flex55™, FOX™, FOXBOX™, InstaWake™, IP Intercom HelpDesk™, MAAP™, MicroDigital™, Opti-Torque™, PendantConnect™, ProDSP™, QS-FPC™ - QuickSwitch Front Panel Controller, Room Agent™, Scope-Trigger™, SIS™ - Simple Instruction Set, Skew-Free™, SpeedNav™, Triple-Action Switching™, True4K™, True8K™, Vector™ 4K, WebShare™, XTRA™, and ZipCaddy™

安全上のご注意 • 日本語

警告: この記号 ⚠️ が製品上に表示されている場合は、筐体内に絶縁されていない高電圧が流れ、感電の危険があることを示しています。

注意: この記号 ⚠️ が製品上に表示されている場合は、本機の取扱説明書に記載されている重要な操作と保守(整備)の指示についてユーザーの注意を喚起するものです。

安全上のご注意、法規遵守、EMI/EMF適合性、その他の関連項目については、エクストロンのウェブサイト www.extron.com より「Extron Safety and Regulatory Compliance Guide」(P/N 68-290-01)をご覧ください。

안전 지침 • 한국어

경고: 이 기호 ⚠️ 가 제품에 사용될 경우, 제품의 인클로저 내에 있는 접지되지 않은 위험한 전류로 인해 사용자가 감전될 위험이 있음을 경고합니다.

주의: 이 기호 ⚠️ 가 제품에 사용될 경우, 장비와 함께 제공된 책자에 나와 있는 주요 운영 및 유지보수(정비) 지침을 경고합니다.

안전 가이드라인, 규제 준수, EMI/EMF 호환성, 접근성, 그리고 관련 항목에 대한 자세한 내용은 Extron 웹 사이트(www.extron.com)의 Extron 안전 및 규제 준수 안내서, 68-290-01 조항을 참조하십시오.

Conventions Used in this Guide

Notifications

The following notifications are used in this guide:



WARNING: Same border as **DANGER**.

AVERTISSEMENT : This is French for Warning.

NOTE: A note draws attention to important information.

TIP: A tip provides a suggestion to make working with the application easier.

Specifications Availability

Product specifications are available on the Extron website, www.extron.com.

Extron Glossary of Terms

A glossary of terms is available at <https://www.extron.com/technology/glossary.aspx>.

NOTE: For more information on safety guidelines, regulatory compliances, EMI/EMF compatibility, accessibility, and related topics see the [Extron Safety and Regulatory Compliance Guide](#) on the Extron website.

Contents

Introduction	1
Product Overview	1
Features	1
Product Diagram	2
Application Examples	3

Mounting Options	5
SMK LP CA Low-Profile Mounting Bracket Kit.....	6
Mounting the Low Profile Wall Brackets.....	6
Mounting Carriage Bolts and Knurled Knobs onto the Speaker.....	7
Mounting the Speaker onto the Wall Brackets	8
SMK PT CA Pan-Tilt Mounting Bracket Kit	9
Mounting the Pan-Tilt Wall Bracket Assembly.....	9
Mounting the Speaker Bracket and Anchor Plate onto the Speaker	10
Mounting the Speaker onto the Pan-Tilt Wall Bracket Assembly	12
Adjusting the Pan-Tilt Bracket Angles	13
Secondary Tie-off	14

Reference Information	15
Speaker Wiring Options.....	15
Mounting Template Diagram	16

Introduction

The CA 43T Column Array Speaker User Guide provides instructions for an experienced installer to mount the Extron CA 43T series column array speaker and wiring connections.

This section includes:

- [Product Overview](#)
- [Features](#)
- [Application Examples](#)

Product Overview

The CA 43T is a column array speaker designed to combine excellent speech intelligibility, a contemporary aesthetic, and integration-friendly mounting options. Engineered to be used as a fill speaker with the CA 163 or standalone, the CA 43T features four 3" (76.2 mm) drivers with the ability to handle up to 120 watts of continuous program. Two mounting systems are available to accommodate different acoustic requirements. The CA 43T PT includes a pan and tilt wall mount with up to 15° of tilt and up to 148° of pan, while the CA 43T LP includes a low-profile wall mount with up to 5° of tilt. Available in black or white, the CA 43T can operate in low-impedance direct as well 70 volt and 100 volt modes. The CA 43T places its power tap selector conveniently on the bottom of the speaker.

Features

- **Vertical and horizontal dispersion optimized for small and medium spaces** — Nominal horizontal and vertical coverage at 4 meters:
 - **500 Hz** — 180° H x 134° V
 - **1000 Hz** — 180° H x 72° V
 - **2000 Hz** — 143° H x 35° V
 - **4000 Hz** — 175° H x 19° V
- **60 watts continuous pink noise**
- **120 watts continuous program**
- **Power tap selector (located on the base of the speaker)** —
 - 6.5 ohm direct
 - 70 volt: 32, 16, 8, and 4 watt selectable
 - 100 volt: null, 32, 16, and 8 watt selectable
- **Frequency range** — 125 Hz to 17.1 kHz, -10 dB, full space
- **Mounting system included** — Choice of:
 - Pan and Tilt model, with up to 148° pan ($\pm 74^\circ$ to the left or right) and 15° tilt
 - Low-Profile model, with up to 5° tilt, and under 6" (152 mm) depth
- **EASE compatible GLL speaker data files available for download ([CA 43T GLL file](#))** — Accurately simulate the CA 43T using EASE or EASE Focus.
- **Designed for quick and easy one person installation**
- **Includes dual-sided mounting template for Pan and Tilt and Low-Profile mounting systems**
- **Four matched 3" (76 mm) full range drivers**
- **IP54 rated for protection against dust and water spray**

- **Durable, powder-coated aluminum enclosure**
- **Paintable enclosure, available in black or white** —
 - Black: RAL 9011 (chassis), RAL 9017 (endcaps and grille)
 - White: RAL 9003 (chassis, endcaps and grille)
- **Included secondary tie-off point**
- **Enclosure Dimensions** — 16.93" H x 5.0" D x 4.5" W (430 mm x 127 mm x 114 mm)
- **Designed to meet key regulatory requirements** —
 - Designed to meet UL1480A and CSA C22.2 No. 205
 - Designed to meet IEC/EN 6238-1,
 - Complies with CE, ICES, RoHS, WEEE
- **5 year parts and labor warranty**
- **TAA Compliant version available** — Please inform your local Extron representative if your order requires compliance with TAA regulations.

Product Diagram

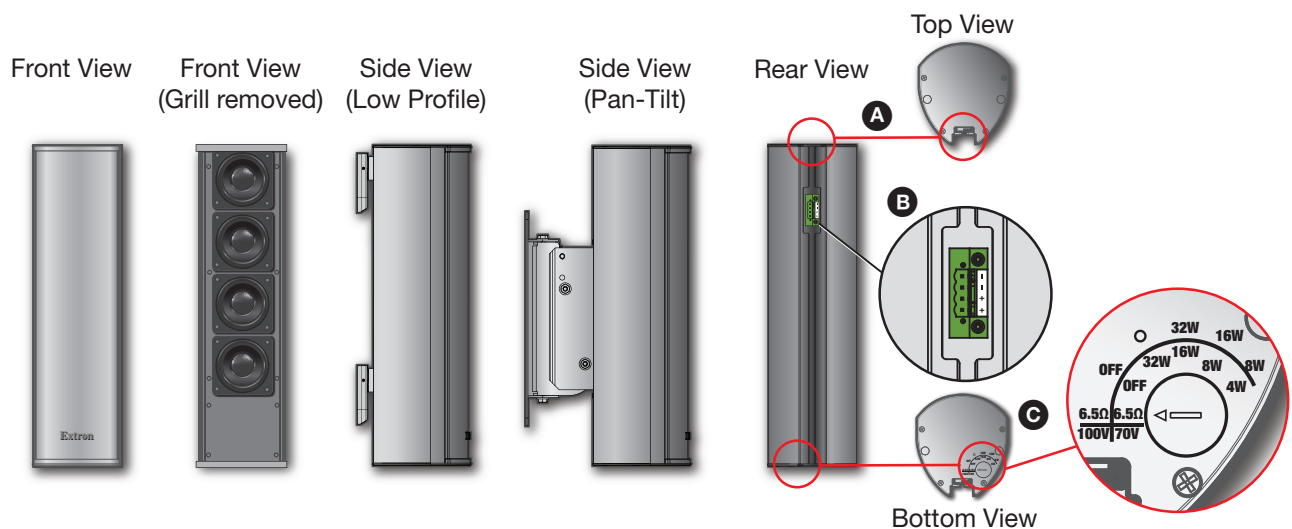


Figure 1. CA 43T Product Diagram

- A Mounting Bracket T-slot (see figure 1)** — Runs the entire length of the speaker enclosure. Carriage Bolts (for the SMK LP CA) or Anchor Plates (SMK PT CA) can slide in through either end to the desired locations. Secure and re-adjust if needed.
- B 4-pole 5mm captive screw input connector** — For installing speaker wires, see [Reference Information](#) on page 15.
- C Rotary Tap Selector Switch** — Set the rotary tap selector switch to the appropriate setting with a small screwdriver.

Application Examples

See the three CA 43T application configuration examples below:

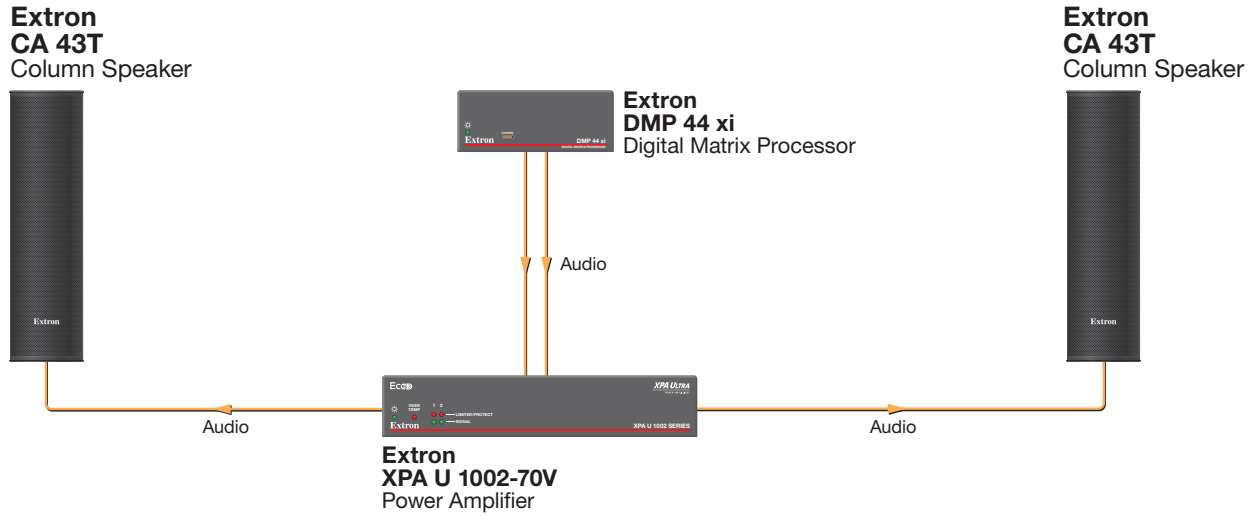


Figure 2. Speaker Application Example - Meeting Room

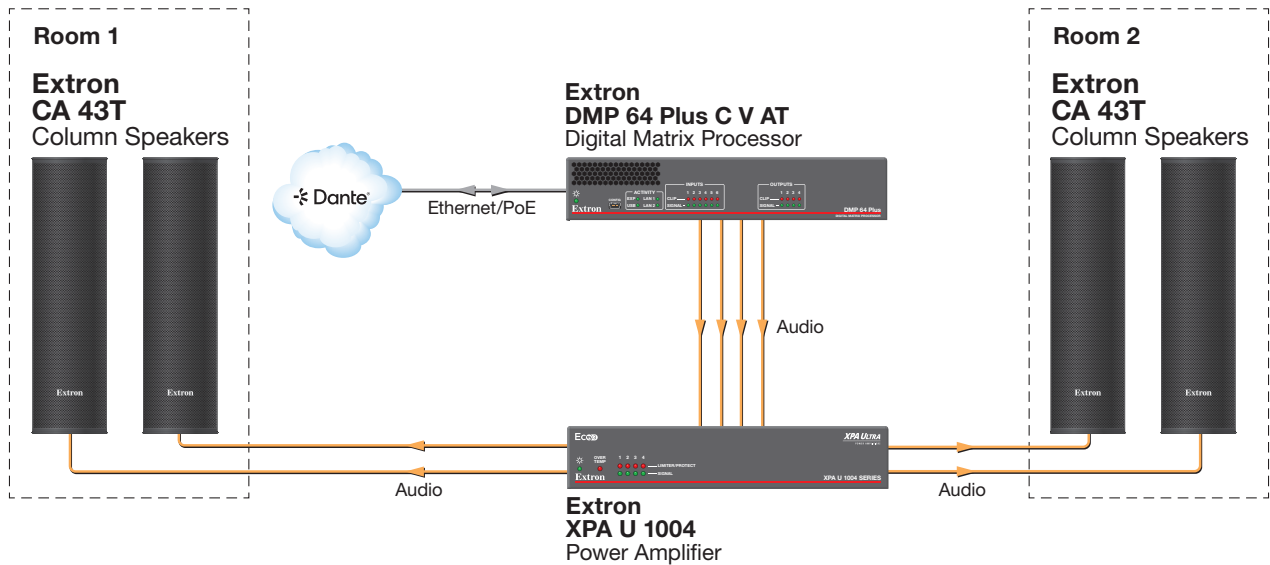


Figure 3. Speaker Application Example - Divisible Room

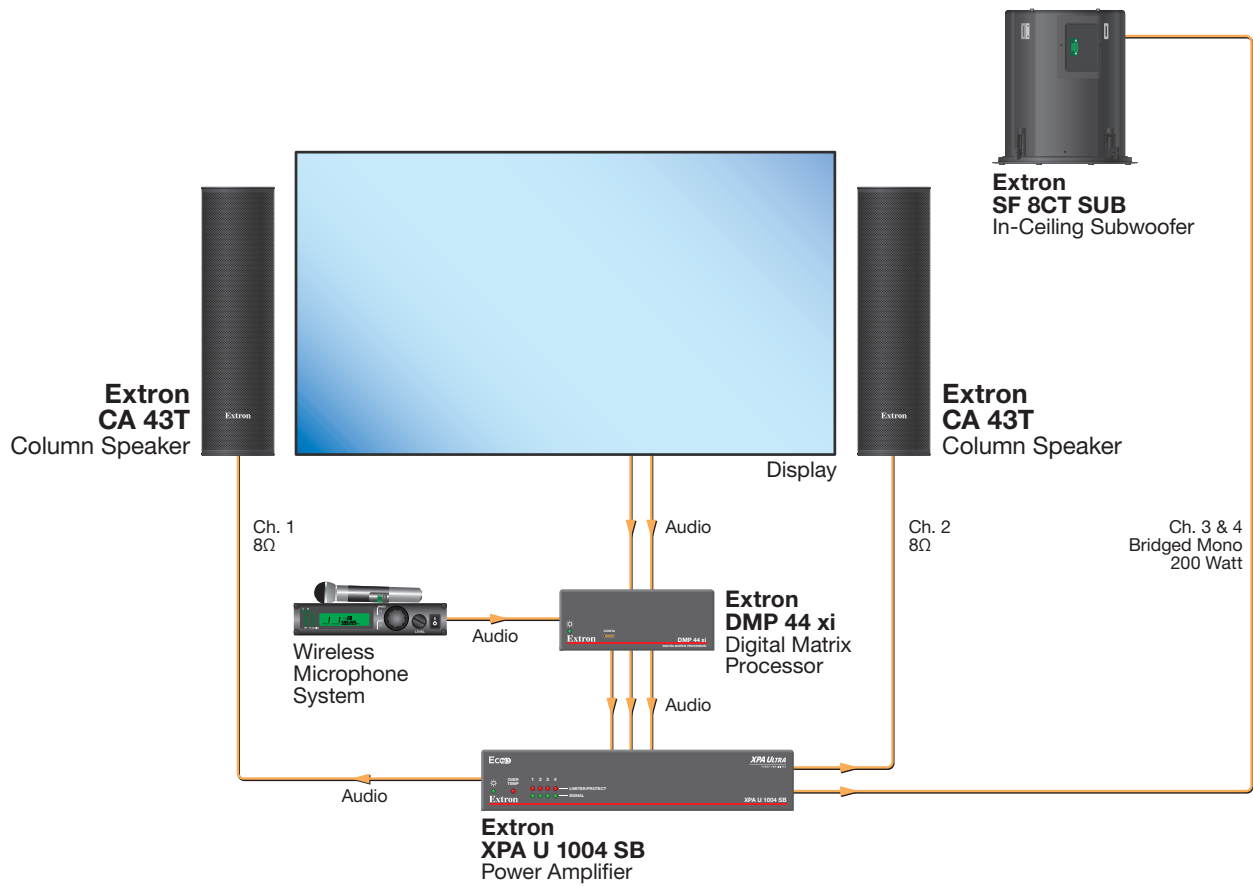


Figure 4. Speaker Application Example - Lobby

Mounting Options

The CA 43T Loudspeaker can be wall mounted with either of the following mounting options:

- **SMK LP CA Low-Profile Mounting Bracket Kit** — mounts flat; can be adjusted for $\pm 5^\circ$ tilt.
- **SMK PT CA Pan-Tilt Mounting Bracket Kit** — allows up to 15° tilt and $\pm 74^\circ$ panning.

NOTE: For a mounting kit video tutorial, see the CA 83T and 43T installation video on the CA 43T product page (see image below), or at <https://www.extron.com/Videos>.



The screenshot displays the Extron website's product page for CA 83T and CA 43T Column Array Speakers. The page features a navigation menu at the top with links for PRODUCTS, TRAINING, RESOURCES, COMPANY, and DOWNLOAD. Below the navigation, there is a sidebar with a list of models including CA 43T and CA 83T. The main content area is dominated by a video player. The video player has a play button in the center and a progress bar at the bottom showing 00:04 out of 03:36. The video title is "CA 83T and CA 43T Column Array Speakers". Below the video player, there are tabs for Overview, Video, Description, Specifications, Diagram, Panel Drawing, and Downloads. The Video tab is currently selected. Below the tabs, there is a thumbnail image of the speakers and a brief description: "CA 83T and CA 43T Extron introduces the key features and capabilities of the CA 83T and CA 43T Column Array Speakers".

For regions that require it, the **Secondary Tie-off** provides additional mounting stability; securing the speaker with a suitable anchor point on the wall or ceiling.

NOTE: Do NOT discard the Mounting Template or foam end caps until entire installation process is complete.

SMK LP CA Low-Profile Mounting Bracket Kit

The SMK LP CA Low-Profile Bracket allows for the CA 43T column loudspeaker to be positioned flat against the wall (less than 1" off the surface), where little to no tilt is required (up to $\pm 5^\circ$ tilt max).

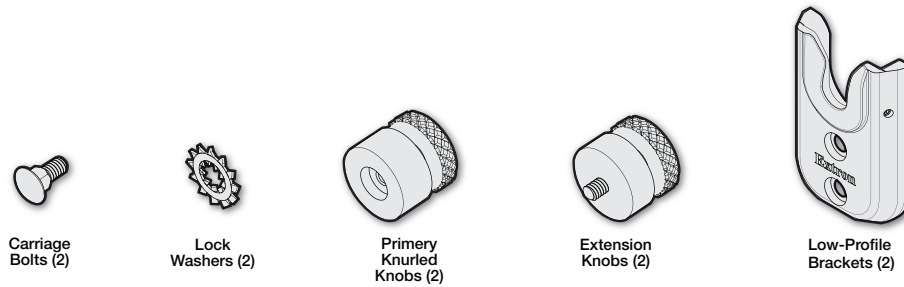
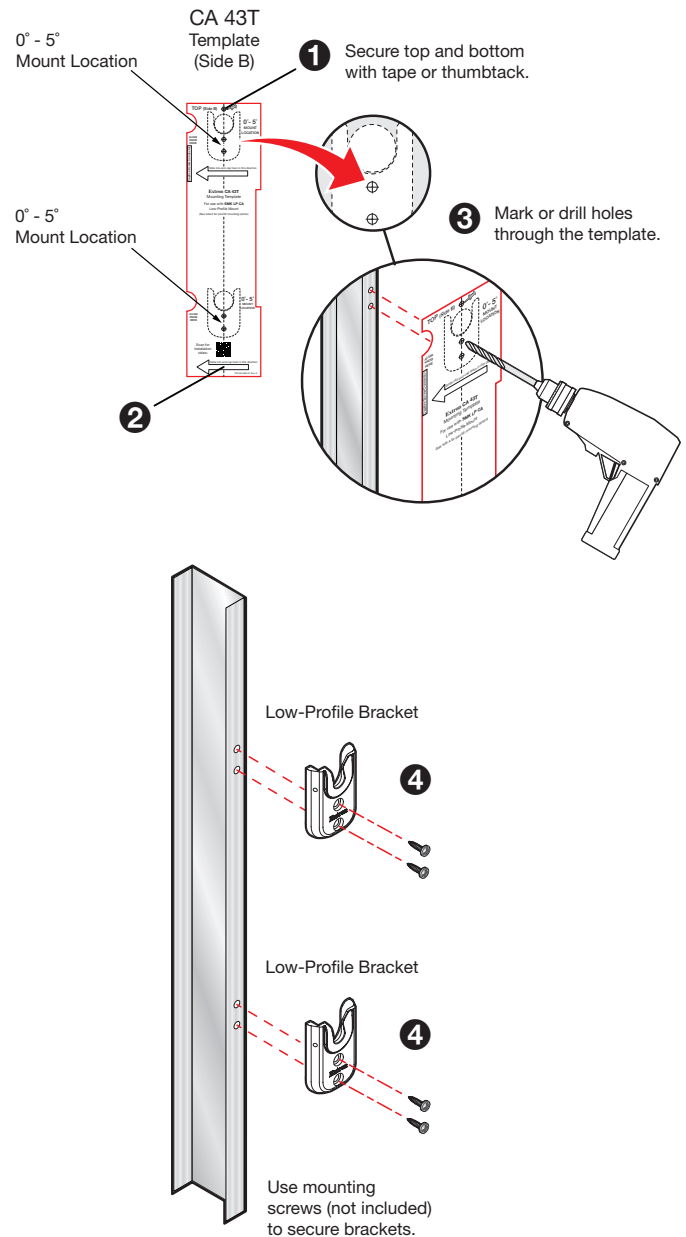


Figure 5. SMK LP CA Low-Profile Bracket Kit

Mounting the Low Profile Wall Brackets

1. Position SMK LP CA mounting template, with side B up (see figure on the right) to the wall where you want to mount the speaker. Use a pushpin or piece of tape to secure the top end of the template to the wall (1). Ensure the template is level, then secure the bottom end with an additional pushpin or piece of tape (2).
2. Mark (or drill) the bracket screw locations through the template (3).
3. When marking or drilling is complete, remove the template from the wall. DO NOT discard the template.
4. If necessary, cut a hole in the wall to route cables to the CA 43T speaker.
5. If not done already, drill four pilot holes through the marked locations on the wall.
6. Use appropriate hardware (not included) to securely attach the low-profile brackets to the wall (4) (example – using #14 x 1 3/4" self-tapping wood or metal screws and 1/4" SAE washers).

NOTE: DO NOT mount the Low-Profile Brackets over the mounting template.



Mounting Carriage Bolts and Knurled Knobs onto the Speaker

1. Remove the CA 43T speaker from the box and set face-down on a flat surface with the two foam caps still attached. Note the input connector is on the bottom end of the speaker.

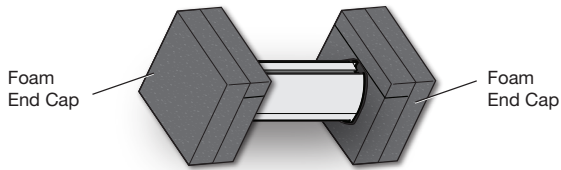


Figure 6. CA 43T with Foam End Caps

2. Brace the top end of the speaker with your hand as you remove the top foam cap (see figure 7, **1**).
3. Slide two included carriage bolts and washers into the T-slot (**2**), and place the foam cap back on the speaker.
4. Screw the two Primary Knurled Knobs onto the two carriage bolts (**3**). Do not tighten. The knobs need to be loose enough to slide up and down the T-slot.

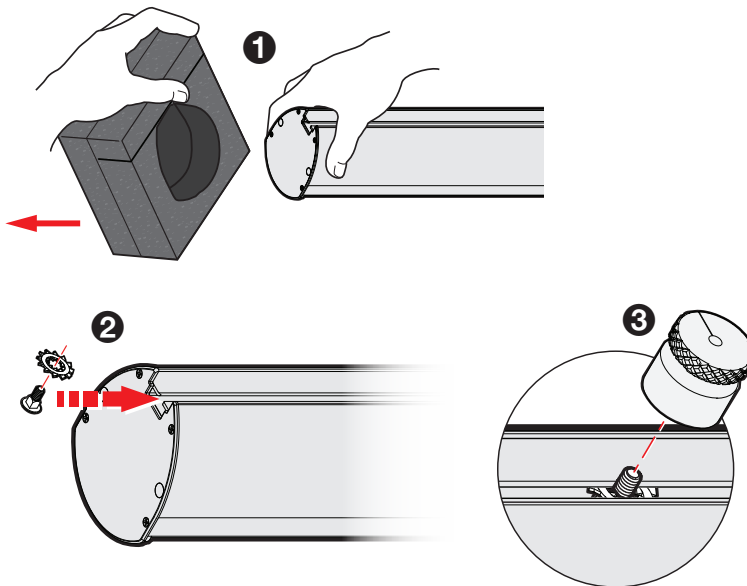


Figure 7. Slide Carriage Bolts into T-slot and Secure Knurled Knobs

- Find the slotted grooves on the foam end pieces and slide in the template, with side “B” facing up. Note the input connector is on the bottom end of the speaker.
- Align the Knurled Knobs into their mount positions, and tighten to secure. Tighten the knobs an additional quarter turn for safety.

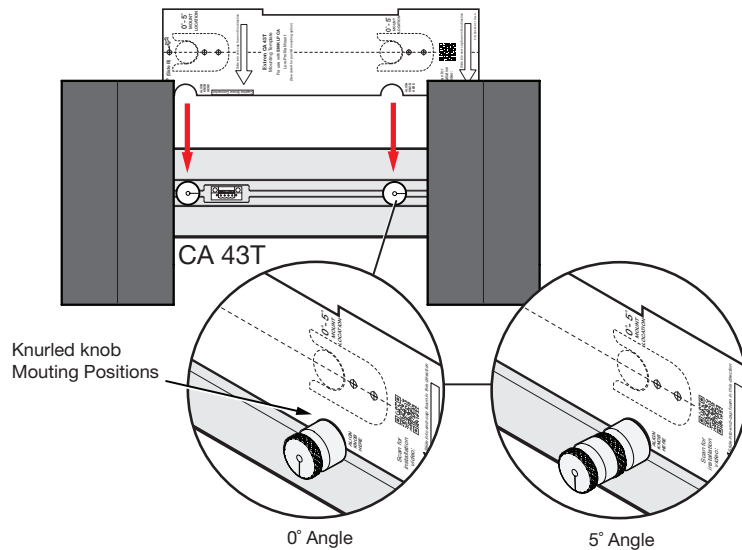


Figure 8. Align and Secure Primary Knobs

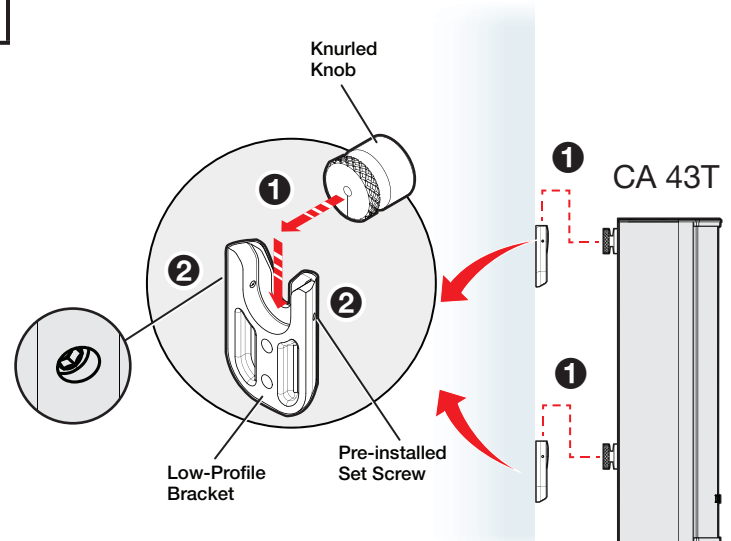
- To add 5° of downward tilt, screw one extension knob onto the top Primary Knob.
To add 5° of upward tilt, screw one extension knob onto the bottom Primary Knob.

Mounting the Speaker onto the Wall Brackets

NOTE: If cable ties are required, mount the **Secondary Tie-off** (see page 14) onto the T-slot before mounting the speaker assembly.

- Slide the two Knurled Knobs into the two Low-Profile Brackets (see figure on the right, ①).
- Using a 5/64" or 2 mm hex wrench, secure the speaker in place by tightening one or both set screws (②) for each Low-Profile Bracket.

If more than 5° tilt is required, see **SMK PT CA Pan-Tilt Mounting Bracket Kit** on page 9.



SMK PT CA Pan-Tilt Mounting Bracket Kit

The SMK PT CA Pan-Tilt mounting bracket kit allows the speaker to be placed in a wide array of positions. When the bracket is secured to the wall, the installer can fasten the column to the bracket and make fine adjustments without holding the weight of the speaker.

Discrete precision tilt angles are available for 0°, 5°, 10°, and 15° stops. There are also continuously adjustable angles from 0° to 15° provided in the slot.

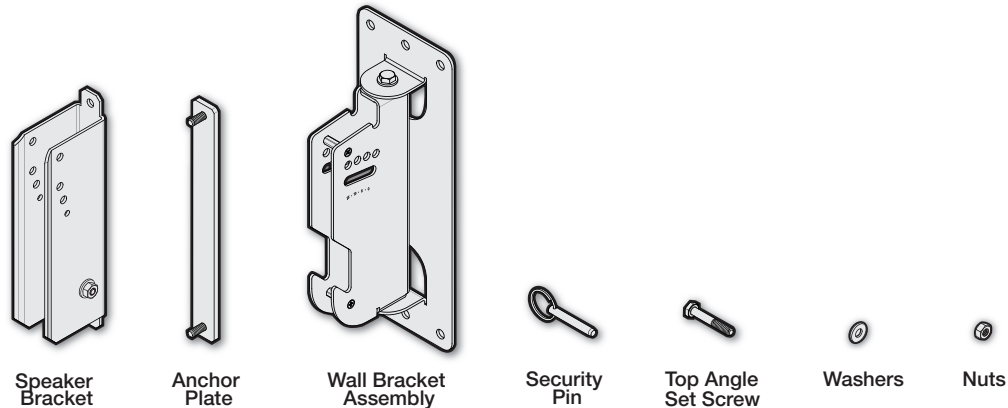


Figure 9. SMK PT CA Pan-Tilt Bracket Kit

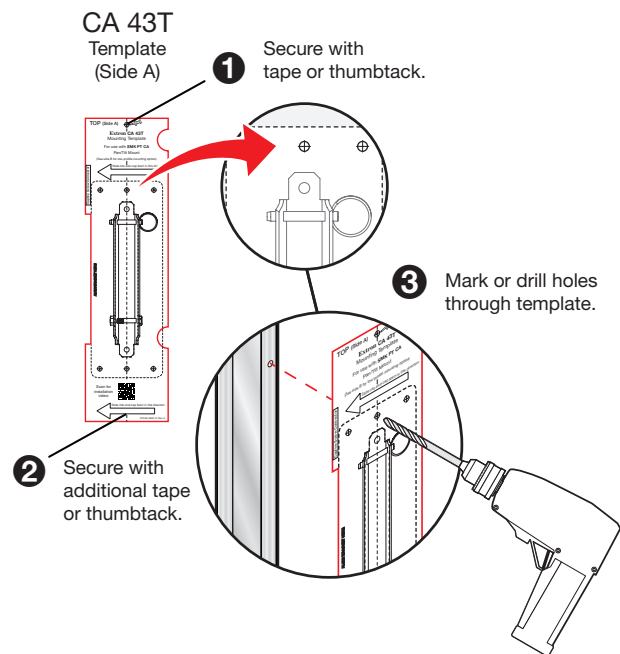
Mounting the Pan-Tilt Wall Bracket Assembly

1. Position SMK PT CA mounting template, side A up (see figure on the right) to the wall where you want to mount the speaker.
2. Use pushpin or tape to secure template to the wall (1).
3. Ensure the template is level and secure the bottom with an additional pushpin or piece of tape (2).

NOTES:

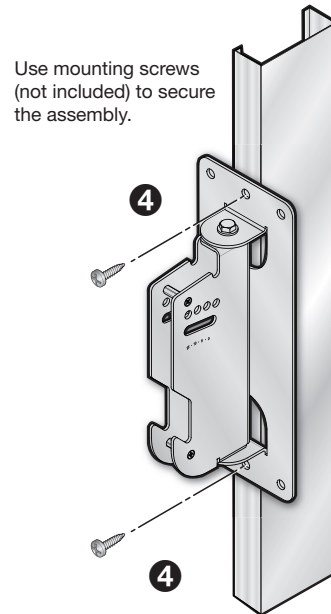
- If the Wall Bracket Assembly cannot be attached to at least two wall studs, then attach one end of the assembly to the wall using one stud and attach the other end using two (not included) 1/4" Kap Toggles.
- If the studs must align with the middle of the Wall Bracket Assembly, secure the assembly to the studs using two screws, and to the wall using two (not included) 1/4" Kap Toggles (one on the leftmost top slot and one on the rightmost top slot).

4. Mark (or drill holes) for the wall stud locations through the template (3) where four screws (not included) will secure the Wall Bracket Assembly to the wall.



5. When marking is complete, remove the template from the wall. Set aside, but DO NOT discard.
6. If necessary, cut a hole in the wall to route cables to the CA 43T speaker.
7. If not already done, drill four pilot holes through the marked locations on the wall.
8. Use appropriate hardware to securely attach the Wall Bracket Assembly to the wall studs (see figure on the right, ④), for example - using #14 x 1 3/4" self-tapping wood or metal screws and 1/4" SAE washers.

NOTE: DO NOT mount Wall Bracket Assembly over the mounting template.



Mounting the Speaker Bracket and Anchor Plate onto the Speaker

1. Remove the CA 43T speaker from the box and set face-down on a flat surface with the foam end caps still attached. Note the input connector is on the bottom end of the speaker.

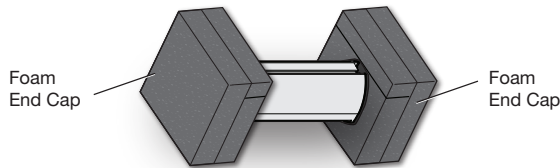


Figure 10. CA 43T with Foam End Caps

2. Brace the top of the speaker with your hand as you remove the top-end foam piece (see figure 12, ①).

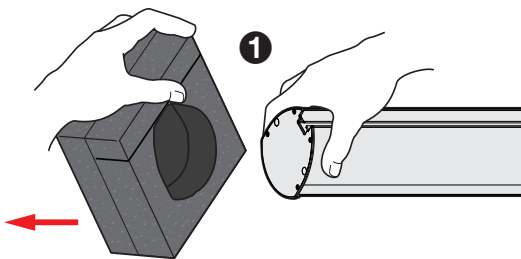


Figure 11. Removing End Foam Piece

3. Slide the Anchor Plate into the T-slot (②), and place the foam piece back on the speaker.

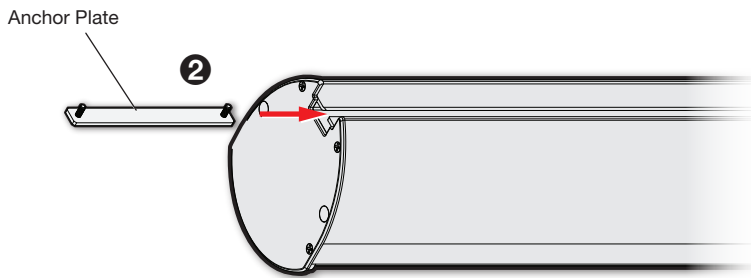


Figure 12. Slide Anchor Plate into T-slot

4. Secure the Speaker Bracket to the anchor plate with two supplied washers and nuts. Do not tighten. The Speaker Bracket assembly should be loose enough to slide up or down the T-slot.

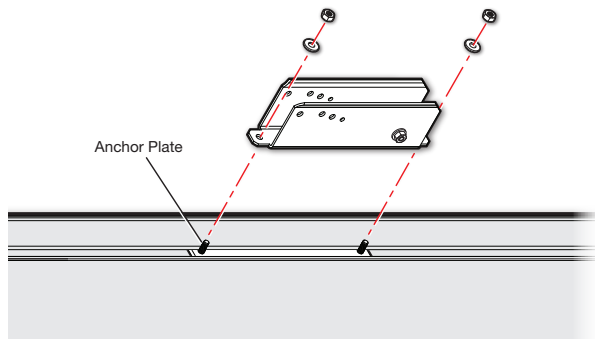


Figure 13. Secure Speaker Bracket to Anchor Plate

5. Find the slotted grooves on the foam end pieces and slide in the template, with side “A” facing up.
6. Align the Speaker Bracket assembly with rectangular cutout and tighten the two nuts to 85-90 in-lb (7.0- 7.5 ft-lb) (9.6 - 10.1 N-m) to secure the Speaker Bracket in place.

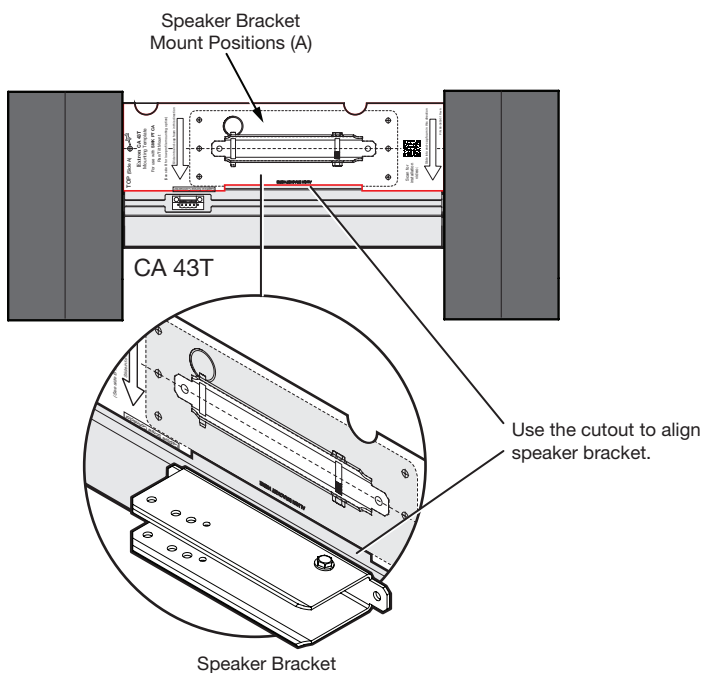


Figure 14. Align and Secure Speaker Bracket Assembly

Mounting the Speaker onto the Pan-Tilt Wall Bracket Assembly

NOTE: If cable ties are required, mount the [Secondary Tie-off](#) (see page 14) onto the T-slot before mounting the speaker assembly.

1. Insert the Security Pin in top hole of Speaker Bracket.

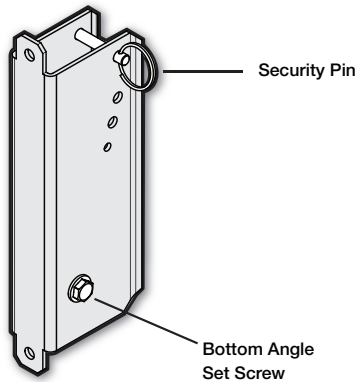


Figure 15. Security Pin and Bottom Angle Set Screw

2. Attach speaker to Wall Bracket Assembly by lowering the Speaker Bracket and bottom Angle Set Screw onto the Wall Bracket Assembly mounting hooks (see figure 17, **1**) and push speaker towards the wall until the Security Pin locks into the Security Pin Hook (**2**).

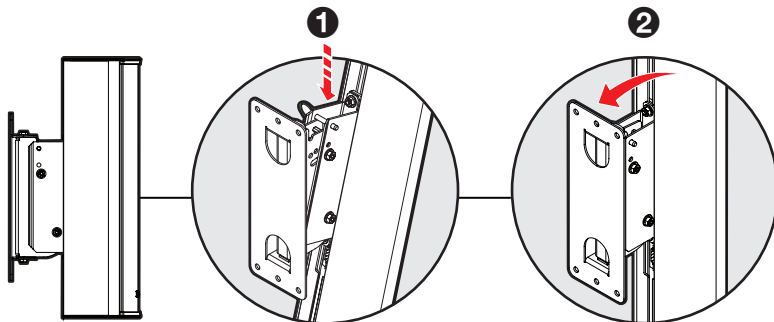


Figure 16. Attach Speaker to Wall Mount

3. The speaker is now fully supported by the wall mount, though not fully secured. Refer to [Adjusting the Pan-Tilt Bracket Angles](#) on page 13 for the next steps.

Adjusting the Pan-Tilt Bracket Angles

Adjusting Tilt Angle

If the speaker is to be set at 0°, then insert an Angle Set Screw in the 0° hole of the Wall Bracket Assembly through the Speaker Bracket.

If the speaker is to be set at an angle of 5, 10, or 15°, gently pull speaker from the top to free the Security Pin from the Security Pin Hook. Align Speaker Bracket with the Wall Bracket Assembly to the required angle. Set in place with the top Angle Set Screw and secure with a washer and nut. Do not allow the speaker to tilt forward more than 15° during this operation.

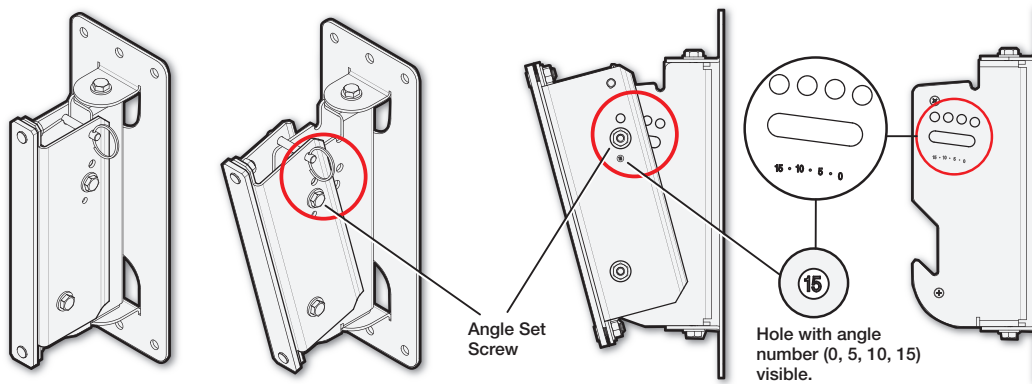


Figure 17. Set Tilt Angle with Angle Set Screw

If the speaker is to be set at an angle other than one of the presets, insert the Angle Set Screw through the angle adjustment slot (see figure 17). Position speaker at required angle and tighten Angle Set Screw to 85-90 in-lb (7.0- 7.5 ft-lb) (9.6 - 10.1 N-m) to secure.

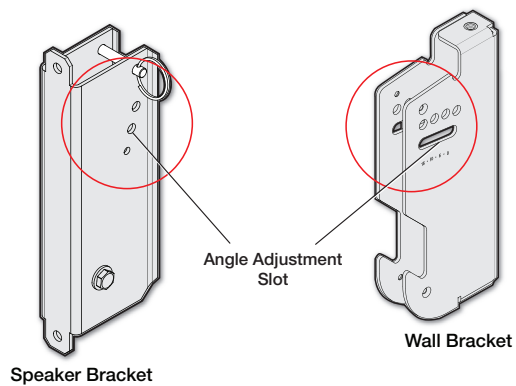


Figure 18. Angle Adjustment Slot

Adjusting Pan Angle

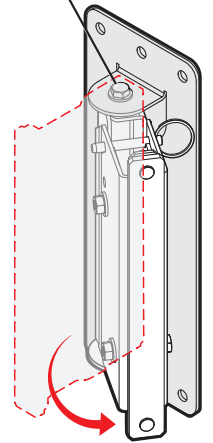
Set the speaker pan angle and tighten Pan Angle Set Screws (top and bottom, see diagram on the right).

The speaker can be adjusted up to 74° to the left or right when the tilt angle is set to 0°. Tighten Pan Angle Set Screws to 35-40 in-lb (2.9- 3.3 ft-lb) (3.9 – 4.5 N-m).

NOTE: There may be limitations to the maximum pan angle that can be set, based on available space and amount of tilt. See the table below for more details.

SMK PT CA Maximum Pan Angle			
0° Down-Tilt	5° Down-Tilt	10° Down-Tilt	15° Down-Tilt
± 74°	± 69°	± 61°	± 51°

Pan Angle Set Screws
(top and bottom)



Secondary Tie-off

The Secondary Tie-off option secures the speaker to a suitable anchor point on the wall or ceiling. It is included for regions that require it.

1. Slide the Secondary Tie-off assembly into the bottom end of the T-slot.
2. Tighten nut to secure the assembly in place.
3. Attach tie cable to building structure.

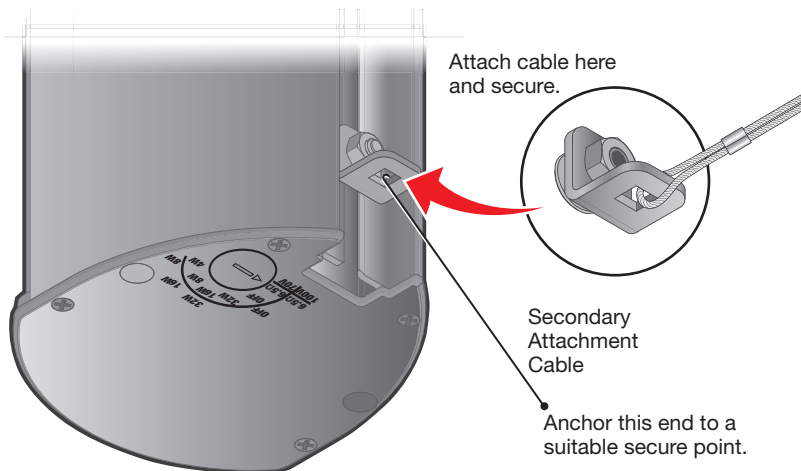


Figure 19. Secure Secondary Tie-off

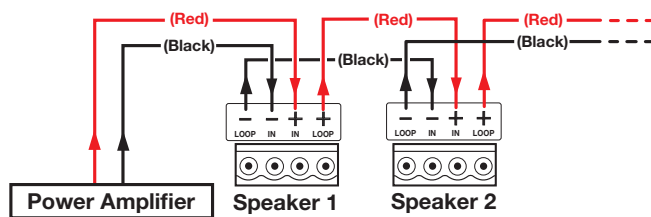
Reference Information

This section includes:

- [Speaker Wiring Options](#)
- [Mounting Template Diagram](#)

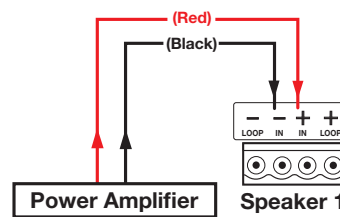
Speaker Wiring Options

Use one of the following two methods to attach the speaker wires to the captive screw connector (as per configuration).



Wiring Multiple Speakers Using Loop-through

When a chain of speakers is wired this way, disconnecting one speaker removes power from all downstream speakers.



Wiring a Single Speaker

Figure 20. Speaker Wiring Options

NOTES:

- When connecting multiple speakers in 6.5-ohm mode, be sure that the combined rated impedance does not equal a value less than the minimum rated impedance of the amplifier.
- When connecting in 70V/100V mode, be sure the combined wattage of the taps of all speakers is less than the rated wattage of the amplifier output.
- The connector can support wire gauges up to 12 AWG.

Mounting Template Diagram

NOTE: This image is NOT to scale.

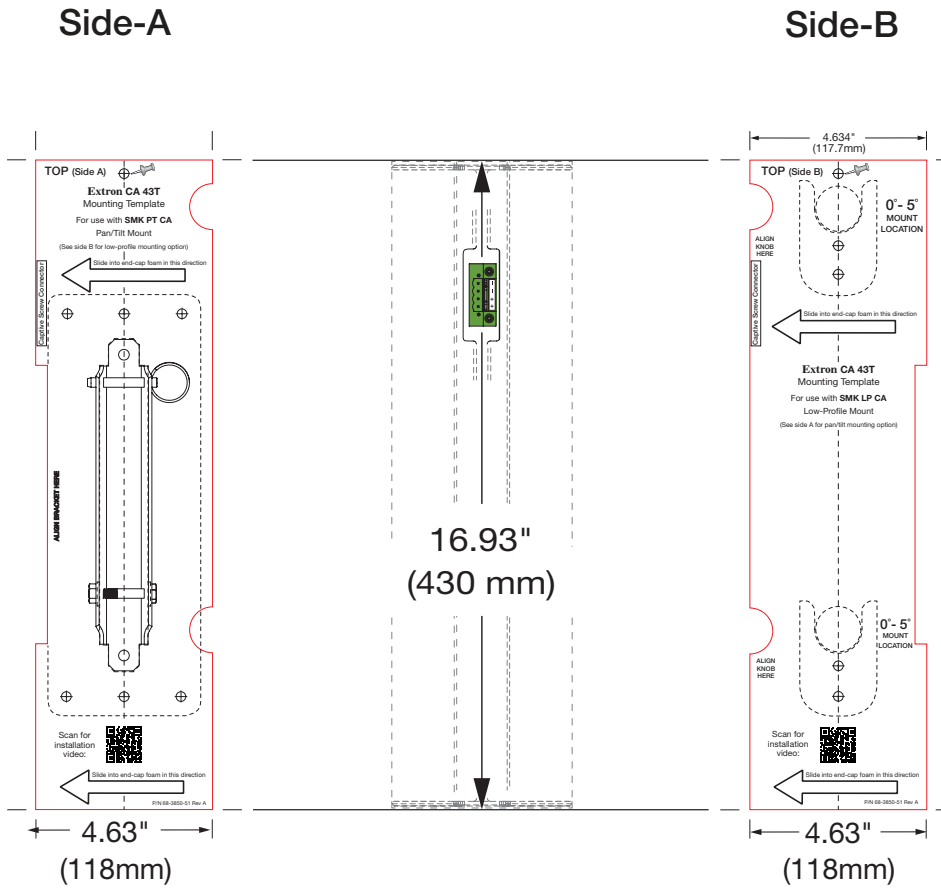


Figure 21. CA 43T Mounting Template Diagram - NOT TO SCALE

Extron Warranty



Extron warrants its powered products against defects in materials and workmanship for a period of three years from the date of invoice. In the event of malfunction during the warranty period, Extron will repair or replace a product to whatever extent it shall deem necessary to restore the product to proper operating condition.

This Limited Warranty does not apply if the fault has been caused by misuse, improper handling care, electrical or mechanical abuse, abnormal operating conditions or non-Extron authorized modification to the product. Extron Electronics makes no further warranties either expressed or implied with respect to the product and its quality, performance, merchantability, or fitness for any particular use. In no event will Extron Electronics be liable for direct, indirect, or consequential damages resulting from any defect in this product even if Extron Electronics has been advised of such damage. Please note that laws vary from state to state and country to country, and that some provisions of this warranty may not apply to you.

Powered Warranty Exception

Everlast™ Power Supplies — Extron warrants Everlast power supplies against any defects in materials and workmanship for a period of seven years from the date of invoice. In the event of a malfunction during the warranty period, Extron will repair or replace the power supply to its original operating condition. Extron engineers will examine the returned product and determine whether the Everlast Power Supply Warranty or Powered Product Warranty applies.

Speakers — Extron warrants Flat Field®, SoundField®, SpeedMount®, Column Array, and System INTEGRATOR® speakers against any defects in materials and workmanship for a period of five years from the date of invoice.

Touchscreens — Extron warrants touchscreen display and overlay components against any defects in materials and workmanship for a period of one year from the date of invoice.

Annotator 300 — Extron warrants the Annotator 300 against any defects in materials and workmanship for a period of five years from the date of invoice.

Non-Powered Warranty Exception

Cable Cubby, Hideaway Surface Access Enclosures and Retractors — Extron warrants Cable Cubby cable access enclosures, HSA Hideaway Surface Access enclosures, and Retractor cable retraction modules for a period of three years from the date of invoice.

Active Cables and Active Adapters — Extron warrants active cables and active adapter cables for a period of three years from the date of invoice.

Cable Termination Tools and Dies — Extron warrants cable termination tools for a period of three years from the date of invoice, excluding the die.

Return Information

Units must be returned insured, with shipping charges prepaid. If not insured, you assume the risk of loss or damage during shipment. Returned units must include the serial number and a description of the problem, as well as the name of the person to contact in case there are any questions.

NOTE: To assure the highest level of service, a return authorization number must be obtained from Extron before products are returned for service. Products must be shipped to Extron, prepaid along with proof of purchase **only** after obtaining a Return Authorization (RA) number from the Extron Customer Support department.

Please contact Extron to receive an RA (Return Authorization) number:

USA: 714.491.1500 or 800.633.9876

Asia: 65.6383.4400

Europe: 31.33.453.4040 or 800.3987.6673

Japan: 81.3.3511.7655

Africa and Middle East:

971.4.299.1800

Worldwide Headquarters: Extron USA West, 1025 E. Ball Road, Anaheim, CA 92805, 800.633.9876