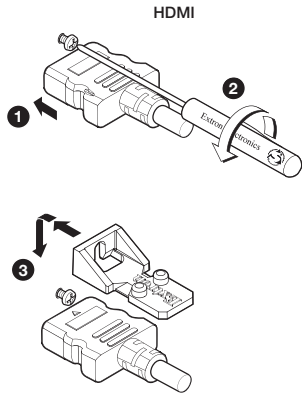
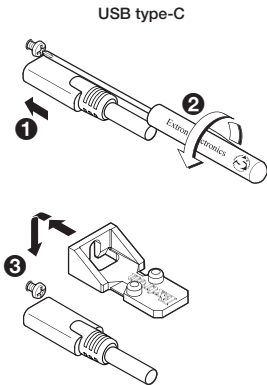


LockIt® Lacing Bracket Installation Guide

Use the Extron® LockIt lacing bracket to securely fasten USB type-C or HDMI cables to the device as follows:

NOTE: The HDMI or USB type-C device port must have a connection mounting screw (either right above the port or to the side) in order to use this bracket.

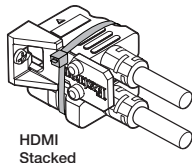
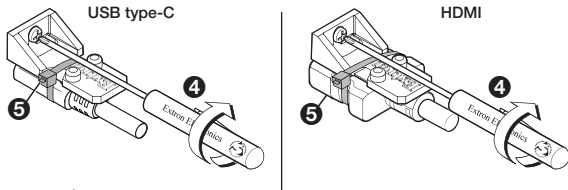
1. Plug the cable into the rear panel port (1).
2. Loosen the connection mounting screw from the panel, enough to allow the LockIt lacing bracket to be placed over it (2). The screw does not need to be removed.
3. Place the LockIt lacing bracket over the screw (3) and against the connector.



ATTENTION:

- Do not overtighten the connector mounting screw. The shield it fastens to is very thin and can easily be stripped.
- Ne serrez pas trop la vis de montage du connecteur. Le blindage auquel elle est attachée est très fin et peut facilement être dénudé.

4. Tighten the screw to secure the bracket (4).
5. Loosely loop the included tie wrap around the connector and LockIt lacing bracket.
6. While holding the connector securely against the lacing bracket, use pliers or a similar tool to tighten the tie wrap. Then, remove any excess length (5).



See the [Extron Safety and Regulatory Compliance Guide](#) on the Extron website.

© 2012-2023 Extron — All rights reserved. www.extron.com
All trademarks mentioned are the property of their respective owners.