

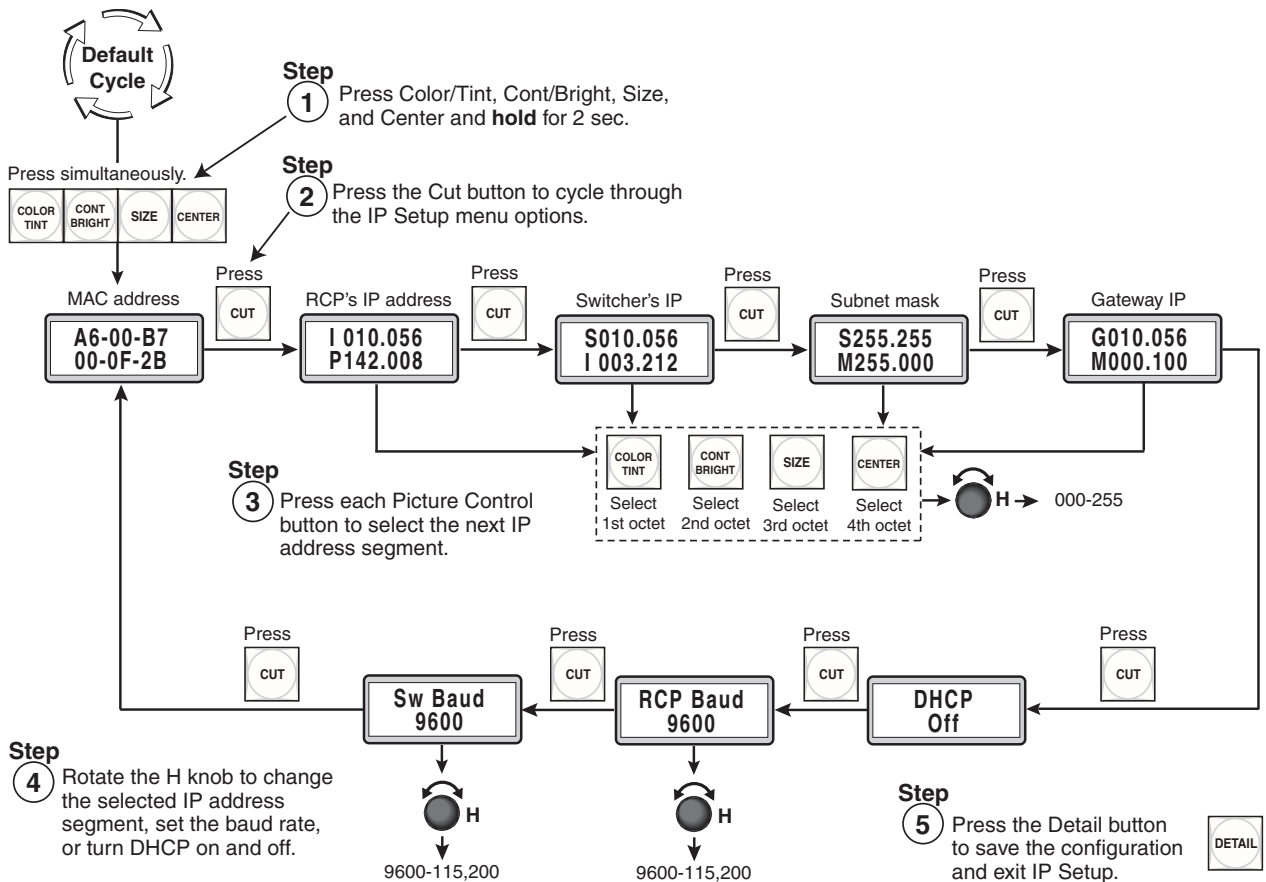
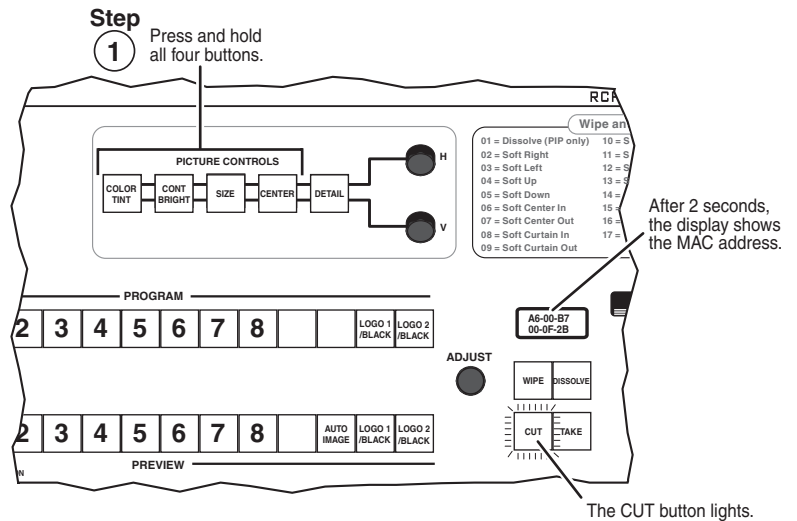
RCP 2000 with ISS 506 Support Setup Guide

This guide provides procedures for setting up and configuring the Extron RCP 2000 Remote Control Panel with ISS 506 Support.

IP Setup

The RCP 2000 is delivered with a factory default IP address of 192.168.254.253. If you want to change this address, or need to enter other information required for Ethernet or serial communication, follow these steps:

1. Press the Color/Tint, Cont/Bright, Size, and Center picture control buttons simultaneously and hold them until the Cut button lights (about 2 seconds). The RCP's MAC address is displayed on the LCD screen.
2. Press the Cut or Take button repeatedly to step through the IP Setup menu options to access the item to be changed.
3. If adjusting one of the four IP settings (RCP IP address, switcher IP address, subnet mask, or Gateway), press the Color/Tint, Cont/Bright, Size, or Center button to select an address block (octet) to change. The selected octet on the LCD screen blinks.
4. Rotate the H Adjust knob to change the selected value.
5. When finished, press the Detail button to save the configuration and exit IP Setup.




RS-232 Setup

To configure an RS-232 connection to the switcher,


1. Plug the supplied 12' RS-232 cable into the RCP's rear panel To Switcher port and the switcher's RS-232/422 port.
2. Press and hold the Color/Tint, Cont/Bright, Size, and Center buttons simultaneously until the Cut button lights and the MAC address appears in the LCD window.
3. Press Cut two times, until the switcher IP address is displayed in the LCD window. The Color/Tint button flashes.
4. Set the switcher's IP address to 000.000.000.000 as follows:
 - a. Press one of the picture control buttons to access the desired octet of the switcher's IP address. Access the address blocks as follows:

Press




Select 1st octet

Press




Select 2nd octet

Press





Select 3rd octet


Press



Select 4th octet
 - b. When the desired octet is blinking in the LCD window, rotate the H knob all the way to the left to set the address block to 000.


 - c. Repeat steps a and b as needed for each address block that needs to be set to 000.
5. If you need to change the switcher's baud rate, press Cut repeatedly until the Sw Baud screen appears. Rotate the H knob to set the switcher's baud rate.





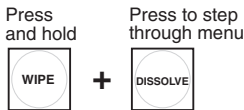
9600-115,200
6. Press Detail to exit the setup menu.

Selecting Transition Effects

Selecting wipe, PIP, and title effects

To select a wipe, PIP, or title effect,

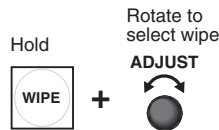
1. Press and hold the Wipe button.
2. While holding the Wipe button, press the Dissolve



button repeatedly to cycle through the Wipe, Pip, and Title menus.

For Title, press Wipe + Dissolve until Title Lvl is displayed on the LCD screen, then skip to step 4.

3. When the desired function (Wipe or Pip) is displayed in the LCD window, continue to **hold down** the Wipe button while turning the Adjust knob to select the number of the desired sub-effect (02 through 25 for Wipe; 01 through 25 for PIP). See the label in the upper-right corner of the RCP front panel for a list of available effects.

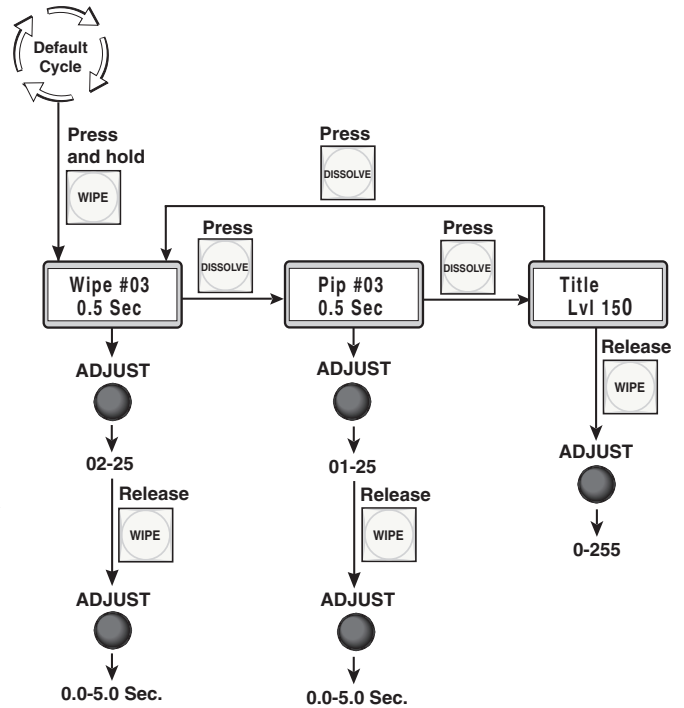


NOTE You can not select a *cut* sub-effect while in Wipe or PIP mode. To perform a cut in these modes, select the desired preview input, then press the Cut button.

4. Release the Wipe button (it should remain lit), and rotate the Adjust knob to select the duration of the sub-effect (0.0 to 5.0 seconds) or the intensity level (Lvl) of the preview image that will become transparent in Title mode (000 to 255).

NOTE If you want to control the duration of the wipe and PIP effects manually, move the T handle up or down at the desired rate.

5. Press the Take button to implement your effect on the selected preview input.



Selecting a cut (full screen program/preview swap)

To select a full screen cut transition (immediate and seamless replacement of the program image with the preview image),

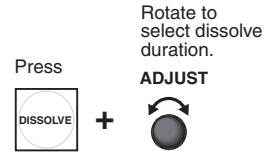
1. With the RCP in Wipe or Dissolve mode, select a preview input.
2. Press the Cut button. The selected preview image immediately becomes the program image.



Selecting a dissolve

To select a dissolve effect (the program image fades out while the preview image fades in),

1. Select a preview input.
2. Press the Dissolve button, which lights.
3. While the Dissolve button is lit, rotate the Adjust knob to select the duration in seconds (0.0 through 5.0) of the dissolve effect.
4. Press Take to execute the dissolve effect.

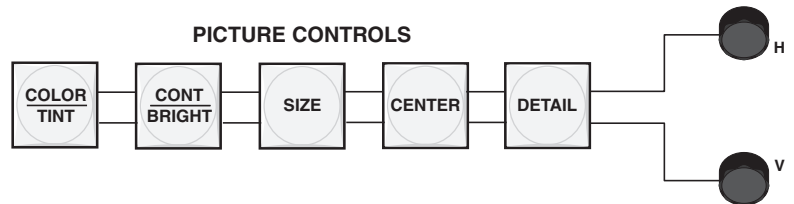


NOTE If you want to control the duration of the dissolve manually, move the T-bar handle up or down at the desired rate.

Using Picture Controls

The Picture Controls buttons, located near the top of the front panel, let you adjust settings on the preview output.

1. Select a Preview input.
2. Select a transition effect (wipe, PIP, title, or dissolve).
3. Press a picture control button.
4. Rotate the H and/or V adjustment knobs, located to the right of the buttons, to select the values, as shown below.



Color/Tint

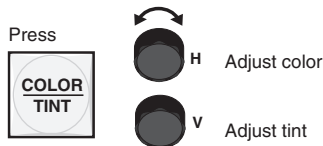
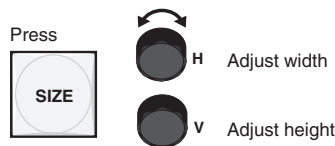
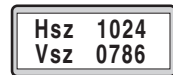


Image size



Wipe, dissolve, and title modes



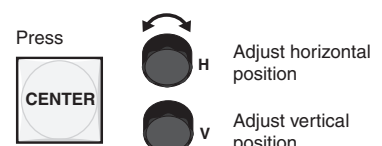
PIP mode



In PIP mode: Press the Size button again to toggle between window size and image size adjustment.

The Size button stays lit steadily during window size adjustment and blinks during image size adjustment.

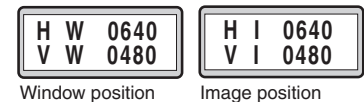
Centering



Wipe, dissolve, and title modes



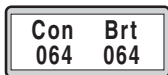
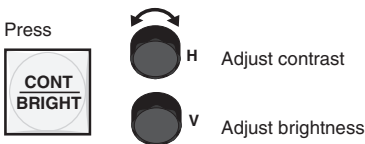
PIP mode



In PIP mode: Press the Center button again to toggle between window position and image position.

The Center button stays lit during window position adjustment and blinks during image position adjustment.

Contrast/ brightness



Detail

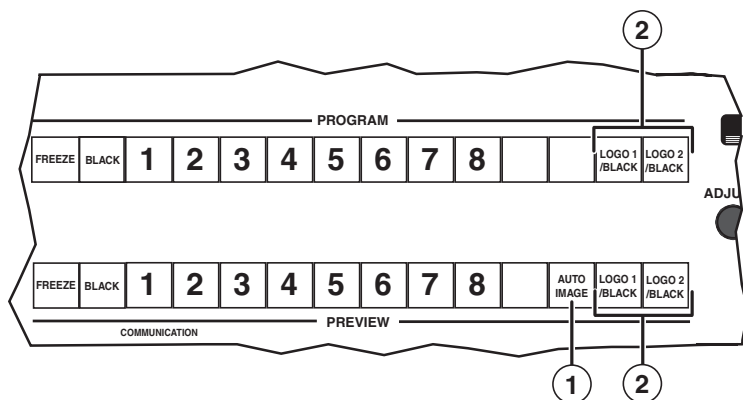


NOTE Picture controls affect only the current preview input.

NOTE If the current PIP or Title preview input is active on the program output, no picture control adjustment is possible.

Other Button Controls

The following additional functions are accessed via the Program and/or Preview buttons:

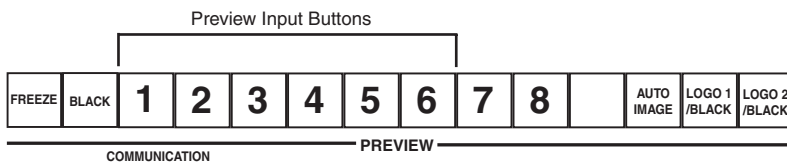


- ① **Auto Image** — Press this Preview button to perform an immediate auto image adjustment on the preview input. Auto Image enables you to automatically size and center the selected preview input to fill the screen.
- ② **Logo** — Press the Logo 1/Black or Logo 2/Black Preview or Program button to display a logo on the screen. If a logo has been assigned, the button lights steadily when pressed.

NOTE Logos must be set up/assigned on the ISS 506 switcher. If no logo is assigned, pressing a Logo button has the same effect as pressing the Black button — a black screen is displayed and the Logo button flashes. (To switch to or from the black screen, apply a cut or other effect.)

Preview User Presets

User presets save color, tint, contrast, brightness, detail, sizing, and centering settings on the ISS 506. Up to three presets can be saved on each input. You can recall a preset that was saved to an input button on the ISS 506 by pressing the equivalent Preview input button on the RCP.



To recall a preset,

1. Press the desired Preview input button twice to place the RCP in preset mode and start the presets cycle. The first preset name is displayed in the LCD window.
2. Press the input button repeatedly until the desired preset name is displayed.

**User
Preset 1**

To exit preset mode, press another Preview input button.

NOTE If no user presets have been saved, additional presses of the current preview input button have no effect.

Extron **USA - West**
Headquarters
+800.633.9876
Inside USA / Canada Only
+1.714.491.1500
+1.714.491.1517 FAX

Extron **USA - East**
+800.633.9876
Inside USA / Canada Only
+1.919.863.1794
+1.919.863.1797 FAX

Extron **Europe**
+800.3987.6673
Inside Europe Only
+31.33.453.4040
+31.33.453.4050 FAX

Extron **Asia**
+800.7339.8766
Inside Asia Only
+65.6383.4400
+65.6383.4664 FAX

Extron **Japan**
+81.3.3511.7655
+81.3.3511.7656 FAX

Extron **China**
+400.883.1568
Inside China Only
+86.21.3760.1568
+86.21.3760.1566 FAX

Extron **Dubai**
+971.4.2991800
+971.4.2991880 FAX