

## VersaTools Rack Shelf Installation Instructions

Up to 4 quarter rack Extron VersaTools™ products, 8 eighth rack VersaTools products, or a mix of VersaTools product sizes can be mounted on a VersaTools 19" 1U Rack Shelf (part #60-190-20 (gray) or 60-604-20 (black)). Mount the VersaTools product on the shelf and mount the shelf in a rack as follows:

1. If feet were previously installed on the bottom of the VersaTools product, remove them.
2. Mount the VersaTools product on the rack shelf, using two 4-40 x 3/16 screws in opposite (diagonal) corners to secure the product to the shelf. See the drawing on the reverse of this card.
3. Install up to 4 quarter rack or 8 eighth rack VersaTools unit(s) on the rack shelf.
4. Fill any unused spaces with eighth rack, quarter rack and/or half rack false front face plates (supplied with 60-190-20 or optional for 60-604-20).
5. Insert the shelf into the rack, aligning the holes in the shelf with those of the rack.
6. Secure the shelf to the rack using the supplied machine screws. This shelf can be mounted in the front or in the rear of the rack.

**NOTE** Only products in the VersaTools line can be mounted to a VersaTools shelf. To rack mount other 1U products, use the Extron Universal 1U Rack Shelf (part #60-190-01 or 60-604-01).



**Extron Electronics, USA**  
1230 South Lewis Street  
Anaheim, CA 92805  
USA  
714.491.1500  
Fax 714.491.1517

**Extron Electronics, Europe**  
Beeldschermweg 6C  
3821 AH Amersfoort  
The Netherlands  
+31.33.453.4040  
Fax +31.33.453.4050

**Extron Electronics, Asia**  
135 Joo Seng Road, #04-01  
PM Industrial Building  
Singapore 368363  
+65.6383.4400  
Fax +65.6383.4664

**Extron Electronics, Japan**  
Daisan DMJ Building 6F  
3-9-1 Kudan Minami  
Chiyoda-ku, Tokyo 102-0074 Japan  
+81.3.3511.7655  
Fax +81.3.3511.7656

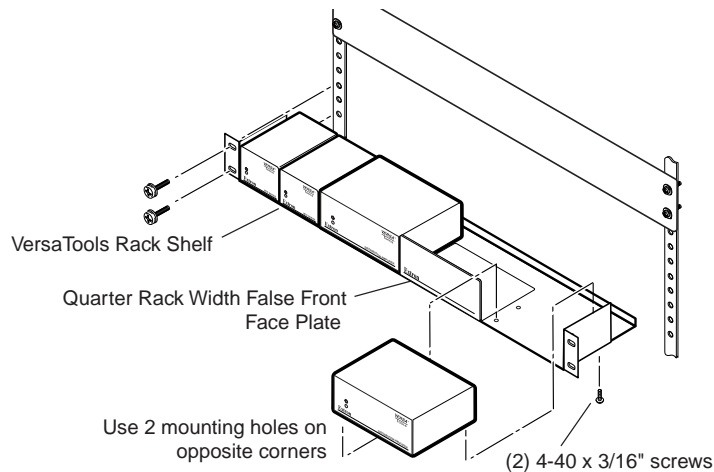
68-195-20

Rev. B

05 03

Printed in the USA

## VersaTools Rack Shelf Installation Instructions (Cont'd)



### Additional faceplates

#### Part

Half rack false front panel (charcoal gray, black anodized)

Quarter rack false front panel (charcoal gray, black anodized)

Eighth rack false front panel (charcoal gray, black anodized)

#### Part #

70-339-01, -02

70-338-01, -02

70-337-01, -02