

# YCS Transcoder

COMPOSITE & S-VIDEO ENCODER AND DECODER

**VERSA™**  
TOOLS

- Composite video to S-video decoder
- S-video to composite video encoder
- NTSC and PAL compatible
- Three-line (NTSC) / five-line (PAL) adaptive comb filter
- Buffered outputs
- Rack-mountable



The Extron YCS Transcoder is a versatile device that simplifies video applications. It serves as both a composite video to S-video decoder and an S-video to composite video encoder.



**Extron® Electronics**

[www.extron.com](http://www.extron.com)

# DESCRIPTION

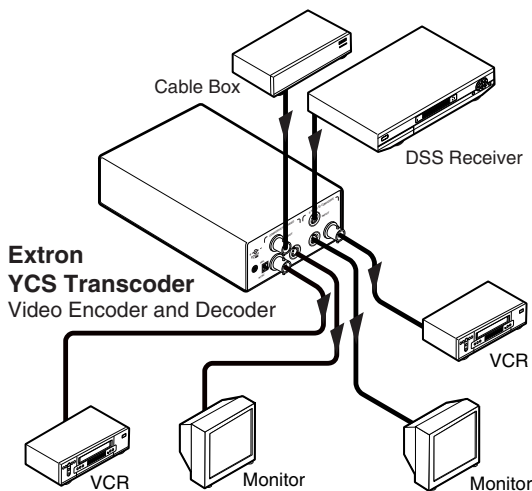
The Extron **YCS Transcoder** simplifies many video applications by combining two independent signal conversion processes, composite video to S-video and S-video to composite video, in a compact VersaTools™ enclosure. Accepting either NTSC or PAL video, the YCS Transcoder utilizes a high-quality digital adaptive comb filter (three-line NTSC, five-line PAL) to ensure clean Y/C separation with virtually no chroma noise.

With a composite video input, the YCS Transcoder decodes (separates) composite video into the luminance (Y) and chrominance (C) signal components and outputs S-video. A buffered composite video loop-through is also provided.

With an S-video input, the YCS Transcoder encodes (combines) the Y and C video signals into composite video and outputs composite video. Again, a buffered S-video loop-through is provided.

# FEATURES

- Versatile bidirectional design for easy integration
- Independent circuits simultaneously encode S-video and decode composite video
- Each input includes a buffered loop-through
- Three-line NTSC (five-line PAL) digital adaptive Y/C separation filter virtually eliminates chroma noise
- Accepts NTSC or PAL video
- 1U, quarter-rack width metal enclosure
- External international power supply included (part number 70-056-01)



# SPECIFICATIONS

VIDEO	
Gain .....	Unity
Crosstalk .....	-60dB @ 3.58 MHz
VIDEO INPUT	
Number/signal type .....	1 NTSC 3.58/PAL S-video 1 NTSC 3.58/PAL composite video
Connectors .....	1 female 4-pin mini DIN 1 BNC female
Nominal level .....	1V p-p for Y of S-video, and for composite video 0.3V p-p for C of S-video
Minimum/maximum levels.....	S-video: Y: 0.5V to 2.0V p-p C: 0.2V to 0.6V p-p Composite: 0.5V to 2.0V p-p
Impedance .....	75 ohms
Return loss .....	<-40dB @ 0 to 10 MHz
VIDEO OUTPUT	
Number/signal type .....	2 S-video: 1 decoded from composite input 1 buffered from S-video input 2 composite: 1 encoded from S-video input 1 buffered from composite video input
Connectors.....	(2) 4-pin mini-DIN 2 BNC female
Nominal level .....	1V p-p for Y of S-video, and for composite video 0.3V p-p for C of S-video
Minimum/maximum levels.....	S-video: Y: 0.5V to 2.0V p-p C: 0.2V to 0.6V p-p Composite: 0.5V to 2.0V p-p
Impedance .....	75 ohms
GENERAL	
Power.....	100VAC to 240VAC, 50/60 Hz; to 9VDC, 0.6 A external power supply. Product requires 0.3 A.
Rack mount .....	Yes, with optional rack shelf, part #60-190-01, or 60-604-01
Enclosure type .....	Metal
Enclosure dimensions .....	1.75" H x 4.4" W x 6.7" D (1U high, quarter rack width) 4.4 cm H x 11.2 cm W x 17.0 cm D (Depth excludes connectors.)
Product weight .....	0.8 lbs (0.4 kg)
Shipping weight.....	3 lbs (1.4 kg)
Vibration .....	ISTA/NSTA 1A in carton (International Safe Transit Association)
Listings.....	UL, CUL
Compliances .....	CE, FCC Class A
MTBF .....	30,000 hours
Warranty .....	3 years parts and labor
Model	Part Number
YCS Transcoder .....	60-323-02

Specifications are subject to change without notice.



**Extron Electronics, USA**  
1230 South Lewis Street  
Anaheim, CA 92805  
800.633.9876 714.491.1500  
FAX 714.491.1517

**Extron Electronics, Europe**  
Beeldschermweg 6C  
3821 AH Amersfoort, The Netherlands  
+800.3987.6673 +31.33.453.4040  
FAX +31.33.453.4050

**Extron Electronics, Asia**  
135 Joo Seng Rd. #04-01  
PM Industrial Bldg., Singapore 368363  
+800.7339.8766 +65.6383.4400  
FAX +65.6383.4664

**Extron Electronics, Japan**  
Daisan DMJ Bldg. 6F, 3-9-1 Kudan Minami  
Chiyoda-ku, Tokyo 102-0074  
Japan  
+81.3.3511.7655 FAX +81.3.3511.7656