

Optional Accessories

- Extron 19" 1U Universal Rack Shelf 60-190-01
- Extron S-video cable, up to 100' (in various lengths) 26-316-xx
- Extron Superflex SHR 1 cable (in various lengths) 26-383-xx
- Extron S-video male to 2 BNC adapter, female, 8" 26-353-02
- Extron S-video female to 2 BNC, male (in various lengths) 26-353-xx
- Extron BNC male to RCA female adapter 10-264-01

Extron® Electronics

INTERFACING, SWITCHING AND DISTRIBUTION



User's Guide



YCS Transcoder Composite/S-video Encoder-Decoder

68-495-01 Rev. D
Printed in the USA
05 03



Extron Electronics, USA
1230 South Lewis Street
Anaheim, CA 92805
USA
714.491.1500
Fax 714.491.1517

Extron Electronics, Europe
Beeldschermweg 6C
3821 AH Amersfoort
The Netherlands
+31.33.453.4040
Fax +31.33.453.4050

Extron Electronics, Asia
135 Joo Seng Road, #04-01
PM Industrial Building
Singapore 368363
+65.6383.4400
Fax +65.6383.4664

Extron Electronics, Japan
Daisan DMJ Building 6F
3-9-1 Kudan Minami
Chiyoda-ku, Tokyo 102-0074 Japan
+81.3.3511.7655
Fax +81.3.3511.7656

Installation

Description

Extron's YCS Transcoder is both a composite video to S-video (luminance (Y) and chrominance (C)) decoder and an S-video to composite video encoder. The inputs also have buffered loopouts. The transcoder can convert either NTSC 3.58 or PAL video. A 3-line adaptive comb filter performs the Y/C separation, virtually eliminating chroma noise.

The decoder function separates composite video to Y and C signals for an S-video output. The composite video input is also buffered with a loopout. A DIP switch defines the standard of the composite video input as either NTSC 3.58 or PAL.

The encoder function encodes S-video to a composite video output. The S-video input is also buffered with a loopout.

All composite inputs and outputs are on BNC connectors. All S-video inputs and outputs are on 4-pin mini-DIN connectors.

The rack-mountable transcoder has an external power supply and is available in a world version.

Installation

For optional rack mounting, mount up to four YCS Transcoders on a 19" 1U Universal Rack Shelf (Extron P/N 60-190-01) (figure 1).

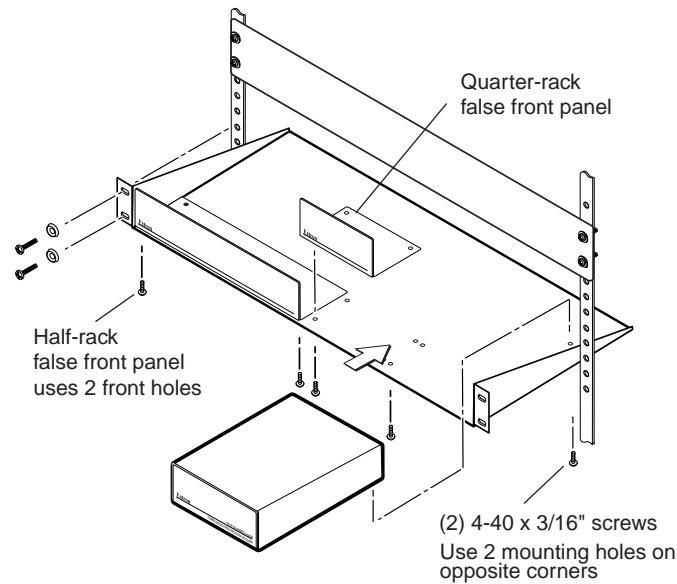


Figure 1 — Rack mounting the YCS Transcoder

Rear Panel Connections

1. Mount the YCS Transcoder on the rack shelf, using two 4-40 x 3/16 screws in opposite (diagonal) corners to secure the case to the shelf.
2. If necessary, mount the half-rack false front panel and/or the quarter-rack false front panel (included with the Universal Rack Shelf) alongside the transcoder, using two 4-40 x 3/16 screws in the front holes for each panel.

Rear Panel Connections

1. Connect the input and output devices to the YCS Transcoder using the typical transcoder application diagram (figure 2) as a guide.

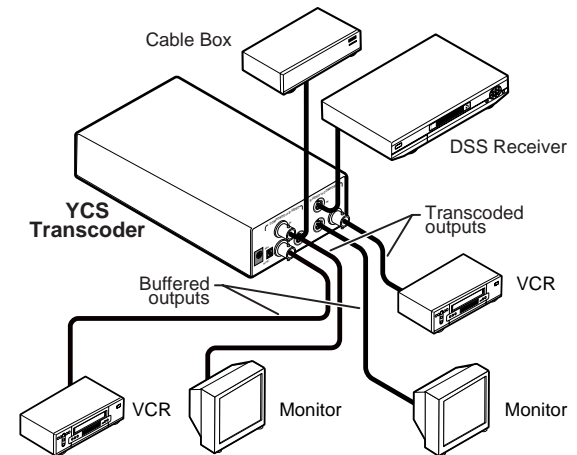


Figure 2 — Typical transcoder application

2. Set the NTSC/PAL DIP switch to the appropriate position for the composite video input.
3. Plug in the YCS Transcoder.

Control and Indicator

Power LED — This front panel LED (figure 3) lights to indicate that the YCS Transcoder is receiving power.

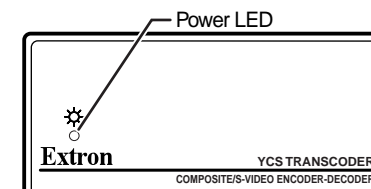


Figure 3 — YCS Transcoder front panel

Operation

PAL/NTSC switch — The leftmost of the two rear panel DIP switches (figure 4) configures the transcoder to receive either PAL video or NTSC video as input.

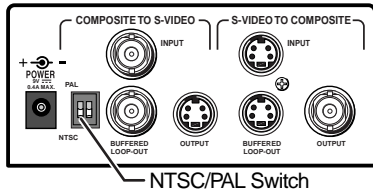


Figure 4 — YCS Transcoder rear panel

NOTE The rightmost switch is not connected and has no effect on transcoder operation.

Operation

When the transcoder, video sources, and displays are powered up, the system is fully operational. If problems are encountered, ensure that all cables are routed and connected properly and, if the transcoder is decoding, that the NTSC/PAL switch is in the proper position.

Specifications

Video

Gain	Unity
Crosstalk	-60dB @ 3.58 MHz

Video input

Number/signal type	1 NTSC/PAL S-video 1 NTSC/PAL composite video
Connectors	1 female 4-pin mini DIN 1 BNC female
Nominal level	1V p-p for Y of S-video, and for composite video 0.3V p-p for C of S-video
Minimum/maximum levels	S-video Y: 0.5V to 2.0V p-p C: 0.2V to 0.6V p-p Composite .. 0.5V to 2.0V p-p
Impedance	75 ohms
Return loss	<-40dB @ 0 to 10 MHz

Specifications, cont'd

Video output

Number/signal type	2 S-video 1 converted from composite input 1 buffered from S-video input 2 composite ... 1 converted from S-video input 1 buffered from composite input
Connectors	(2) 4-pin mini-DIN 2 BNC female
Nominal level	1V p-p for Y of S-video, and for composite video 0.3V p-p for C of S-video
Minimum/maximum levels	S-video Y: 0.5V to 2.0V p-p C: 0.2V to 0.6V p-p Composite .. 0.5V to 2.0V p-p
Impedance	75 ohms

General

Power	100VAC to 240VAC, 50/60 Hz; to 9VDC, 0.6 A external power supply Product requires 0.3 A.
Temperature/humidity	Storage -40° to +158°F (-40° to +70°C) / 10% to 90%, non-condensing Operating +32° to +122°F (0° to +50°C) / 10% to 90%, non-condensing
Rack mount	Yes, with optional rack shelf, part #60-190-01
Enclosure type	Metal
Enclosure dimensions	1.75" H x 4.4" W x 6.7" D (1U high, quarter rack width) 4.4 cm H x 11.2 cm W x 17.0 cm D (Depth excludes connectors.)
Product weight	0.8 lbs (0.4 kg)
Shipping weight	3 lbs (1.4 kg)
Vibration	ISTA/NSTA 1A in carton (International Safe Transit Association)
Listings	UL, CUL
Compliances	CE, FCC Class A
MTBF	30,000 hours
Warranty	3 years parts and labor

NOTE Specifications are subject to change without notice.