

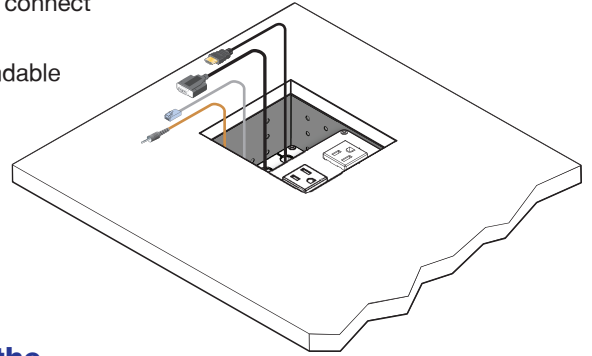
Cable Cubby 650 UT • Installation Guide

IMPORTANT:
Go to www.extron.com for the complete user guide, installation instructions, and specifications.

This guide provides instructions for an experienced technician to install and connect the Extron Cable Cubby 650 UT.

The Cable Cubby 650 UT units are under furniture mountable and are expandable for cable access, connections, and AC power.

NOTE: This product is intended for use only with Extron UL listed power modules (not included). Go to www.extron.com for recommended power modules.



Planning

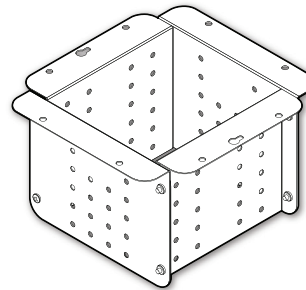
Check with local and state regulations before starting the installation

- Ensure that the planned installation complies with national and local building and electrical codes.
- Ensure that the planned installation complies with the Americans with Disabilities Act or other accessibility requirements.

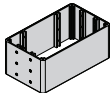





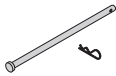

Check all parts and equipment before installation

- Ensure that all parts are present in each kit.
- Ensure that necessary tools and equipment are available for the installation.

Kit Contents



Cable Cubby 650 UT

Connectivity Bracket		1
#4-40 Module Screws		4
AAP Frame Plate		1
Cable Grommet Plate		1
Hole Plugs		6 (3/8"), 2 (1/4")
Retractor racket		1
Retractor Pin & Clip		1
#6-32 Mounting screws and Star Washers		4

Cable Cubby 650 UT • Installation Guide (Continued)

Preparing the Table

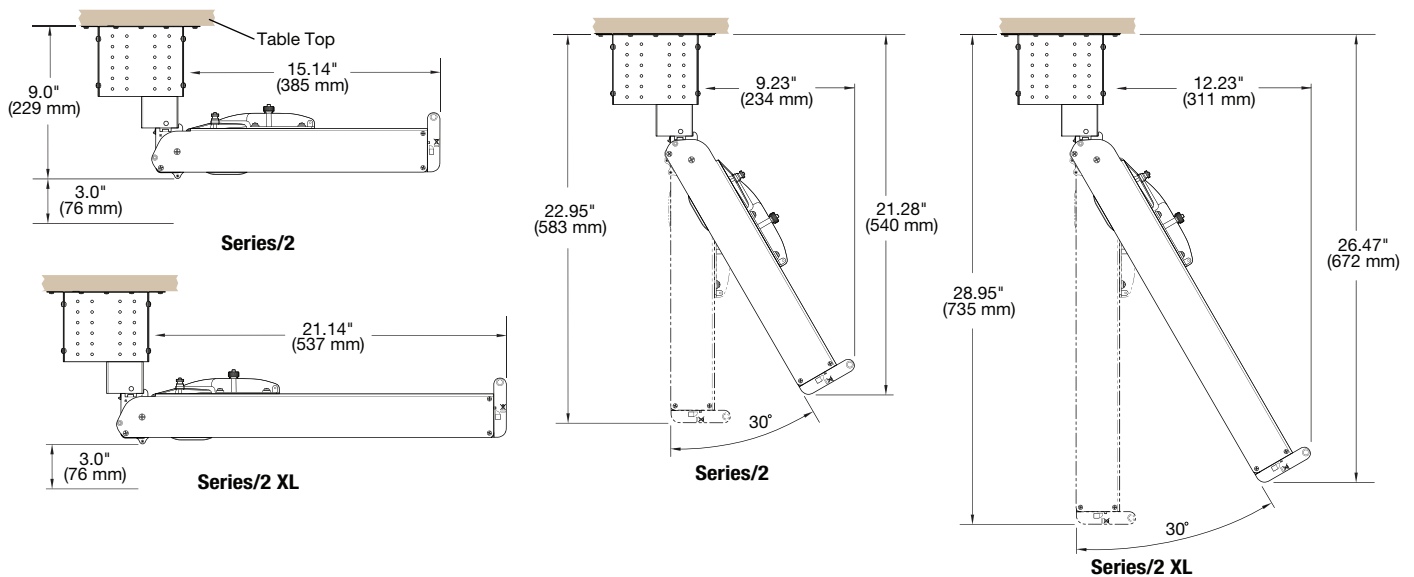
Cut a hole in the surface where the enclosure will be installed. The size of the hole depends on the number of enclosures used (see [Cut-out dimensions](#) on the next page). Ensure the sides of the hole are smooth after cutting and finished before installing. Read the following information before making a cut.

Determine the best location for the enclosure

- Ensure that the location where the Cable Cubby is to be installed is convenient for as many users as possible.
- Ensure that there is ample space under the table for cables. Allow at least 36 inches of cable loop for each cable (see [Routing and Connecting Cables](#) on page 7).
- When installing Retractors in the Cable Cubby, ensure that there is enough space for the Retractor assembly under the table or furniture.

NOTE:

- To prevent objects from impeding cable retraction, allow at least 3 inches of clearance from the exposed cable side of the enclosure (see the diagrams below).
- Excess cabling may cause clearance issues. Use zip ties to secure under-table cabling to prevent accidental contact or entanglement (see [Routing and Connecting Cables](#)).



Cut the hole in the table and pre-drill mounting holes

CAUTION: Wear safety glasses when operating power equipment. Failure to comply can result in eye injury.

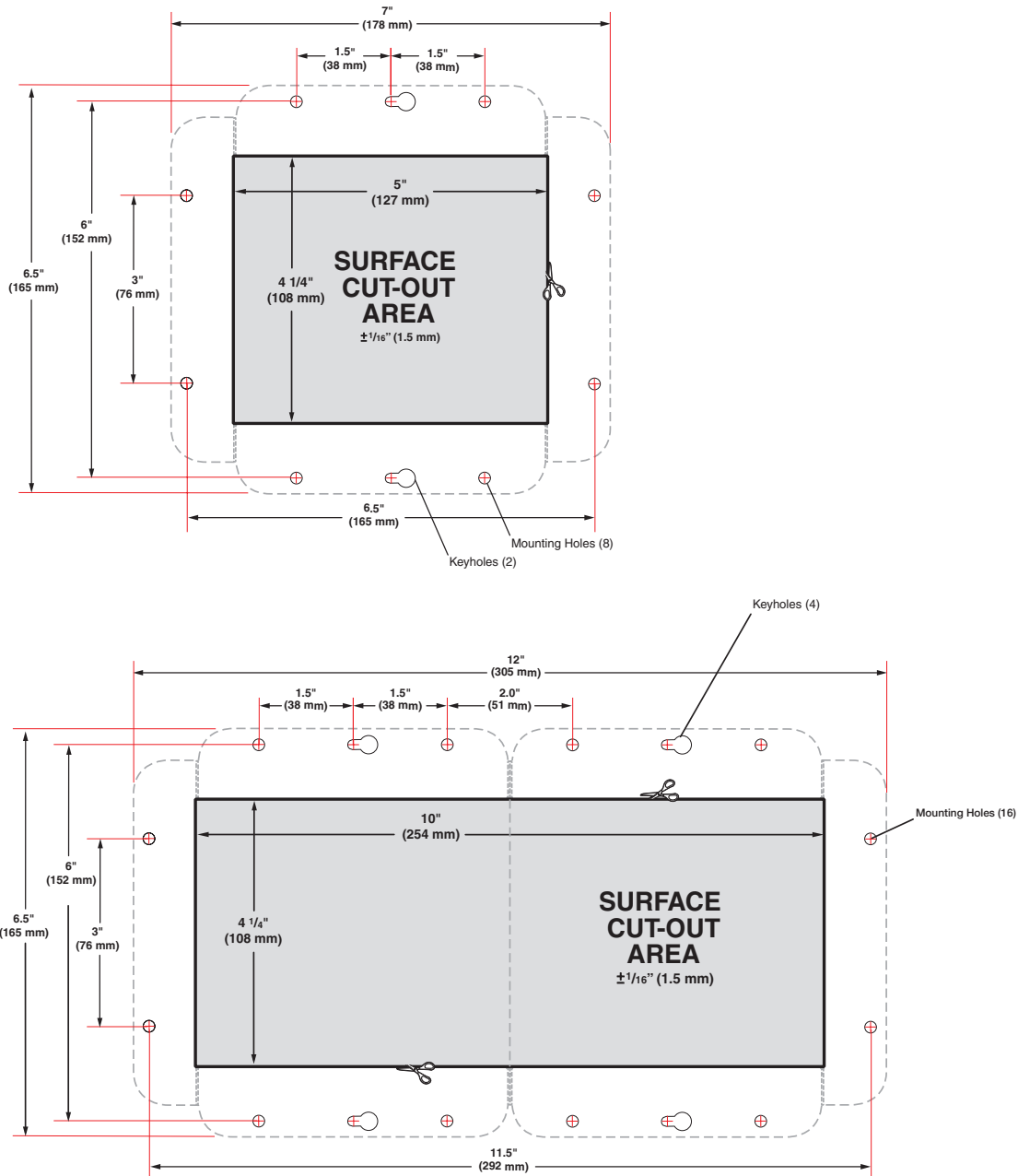
ATTENTION : Portez des lunettes de sécurité lorsque vous utilisez l'équipement électrique. Ne pas respecter cela peut conduire à une blessure à l'œil.

ATTENTION: The opening in the table for the Cable Cubby should be cut only by licensed and bonded craftspeople. Exercise care to prevent scarring or damaging the furniture.

ATTENTION : L'ouverture dans la table pour le Cable Cubby devrait être coupée seulement par des artisans autorisés et qualifiés. Faites attention à ne pas faire de marques sur le meuble et à ne pas l'endommager.

Cut-out dimensions

For one or two enclosures, the cut-out dimensions and mounting hole locations are shown below. For more enclosures, multiply the length accordingly. If necessary, pre-drill into the furniture at the keyhole and mounting hole locations.



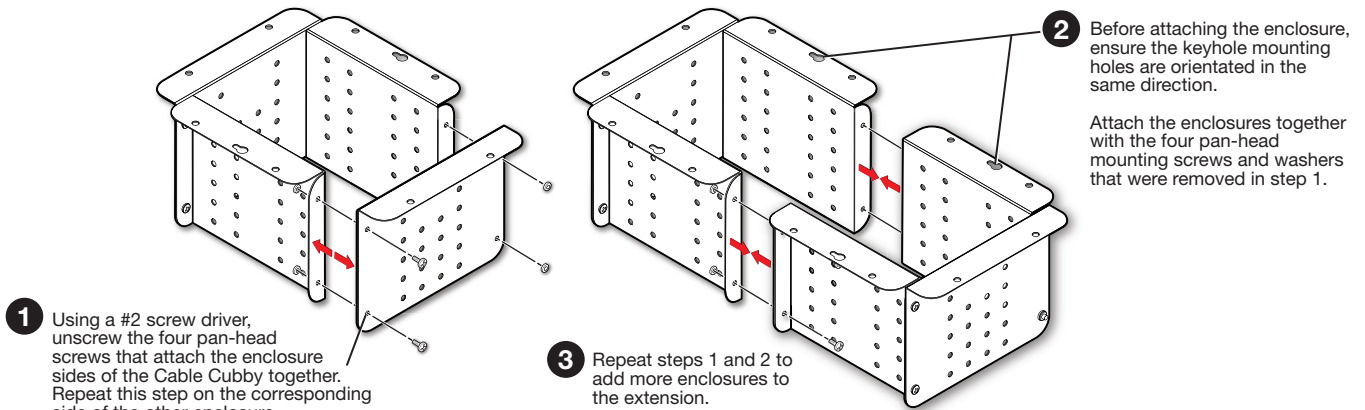
NOTE: Diagrams shown above are not drawn to scale.

Dimensions and cut-out templates are available online at www.extron.com.

Cable Cubby 650 UT • Installation Guide (Continued)

Preparing the Cable Cubby

Step 1 (Only for multiple enclosures) – Assemble Enclosures



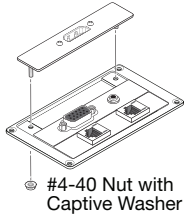
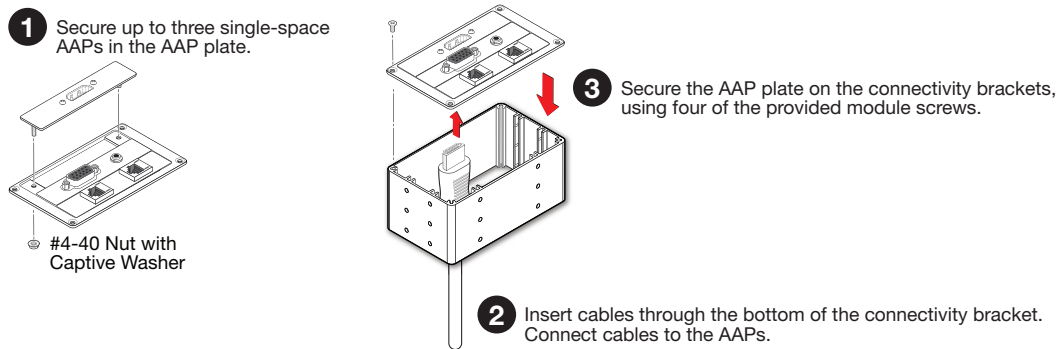
Attach the enclosures together with the four pan-head mounting screws and washers that were removed in step 1.

Detach side panels of both enclosures.

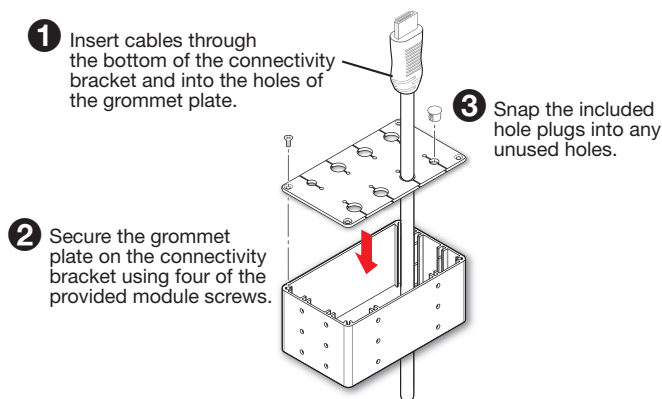
Step 2 – Assemble Connectivity Modules

Connectivity modules allow you to populate the Cable Cubby enclosure with a combination of AAPs, cable pass-through, or Retractors. Follow the steps below to assemble the connectivity modules of your choice.

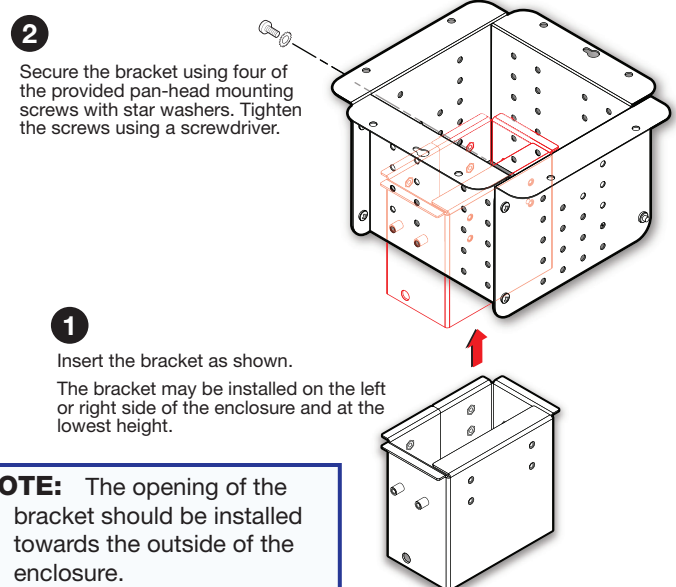
Option 1: AAP Module



Option 2: Cable Pass-Through Module



Option 3: Retractor Bracket



NOTE: The opening of the bracket should be installed towards the outside of the enclosure.

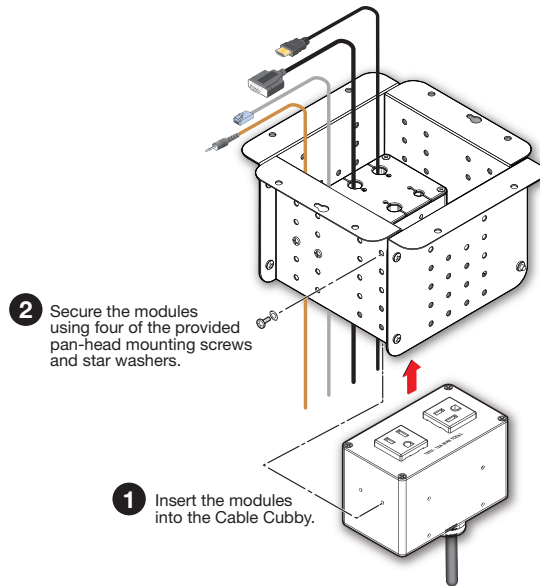
Step 3 – Install the Modules

Determine where the connectivity modules and/or power module will be installed in the Cable Cubby. The modules may be installed on the left or right side of the enclosure and at various heights.

For the Power module:

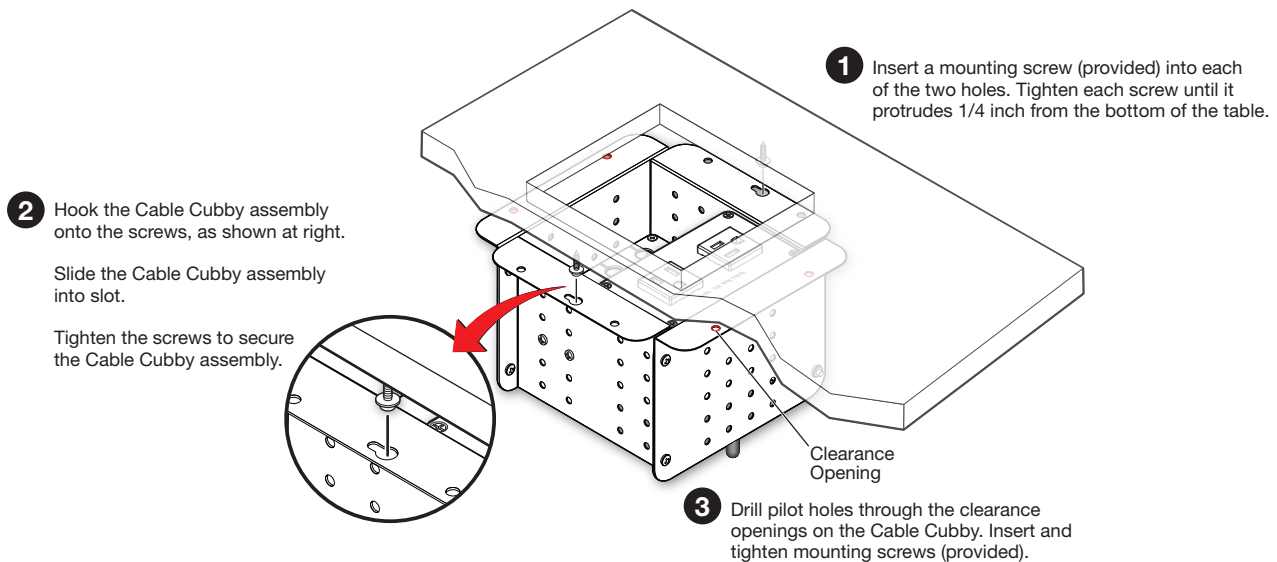
WARNING: Risk of Electric Shock. To ensure proper electrical grounding, use the provided #6-32 mounting screws with the star washers.

AVERTISSEMENT : Risque de choc électrique. Afin d'assurer une mise à la terre correcte, utilisez les fixations de mise à la terre #6-32 et les rondelles en étoile fournies.



Mounting the Cable Cubby in the Table

Align the enclosure with the pre-drilled holes under the furniture. Secure the enclosure with the appropriate screws (see [Cut the hole in the table and pre-drill mounting holes](#) on page 3).

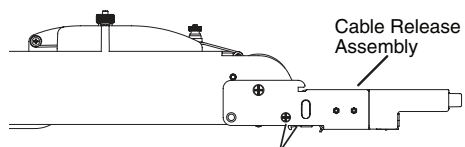


Cable Cubby 650 UT • Installation Guide (Continued)

Installing Retractors

Follow the steps below to install Retractors. Before installing the Retractors, adjust the Retractors for horizontal or angular mounting, see the information below, then follow the installation steps below.

Horizontal Mounting

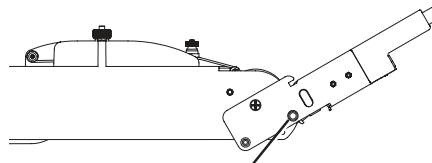


Remove two enclosure screws (one on each side) from this position. Then, mount the Retractors as shown below.

See the *Cable Retractor Series/2 Setup Guide*, available on the [Extron website](#), for additional steps.

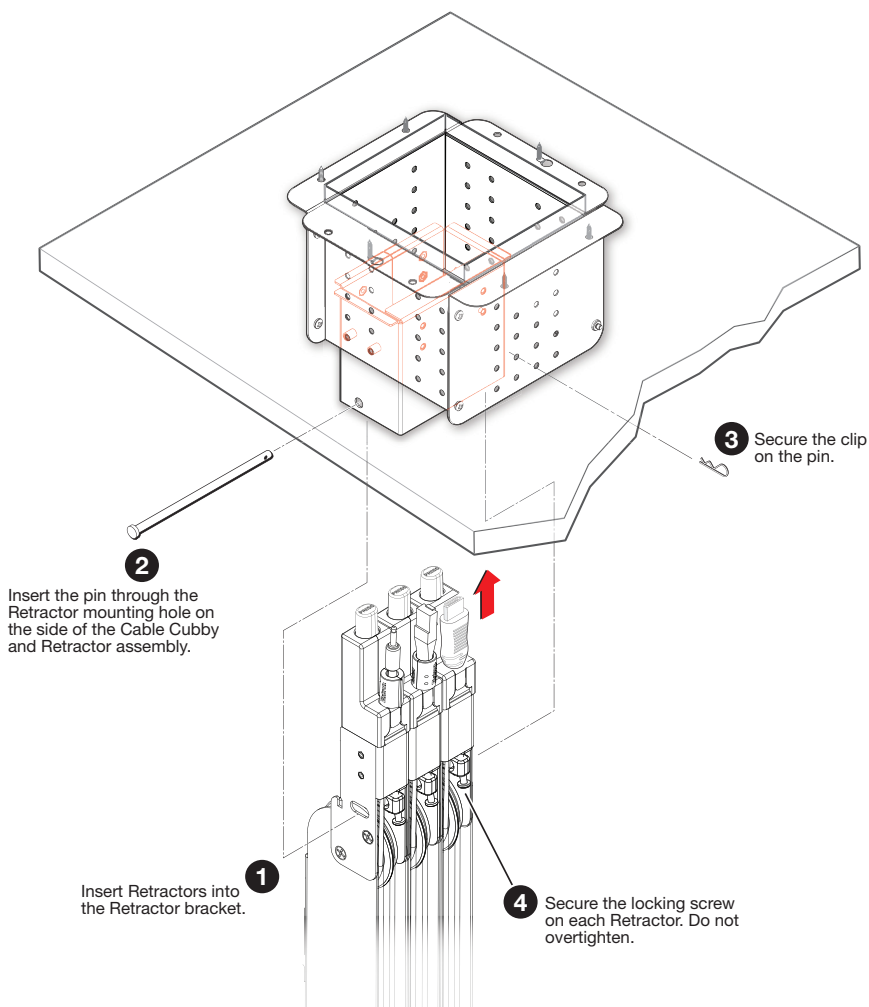
Angular Mounting

Remove the enclosure screws as shown on the left, then follow this step:



Move the cable release assembly upward until the angular mounting hole is visible. Reinstall the enclosure screws in this hole (both sides).

NOTE: Extron recommends mounting the Retractor bracket so the release buttons for the Retractor are against the wall of the enclosure, to ensure adequate clearance below the Cable Cubby.

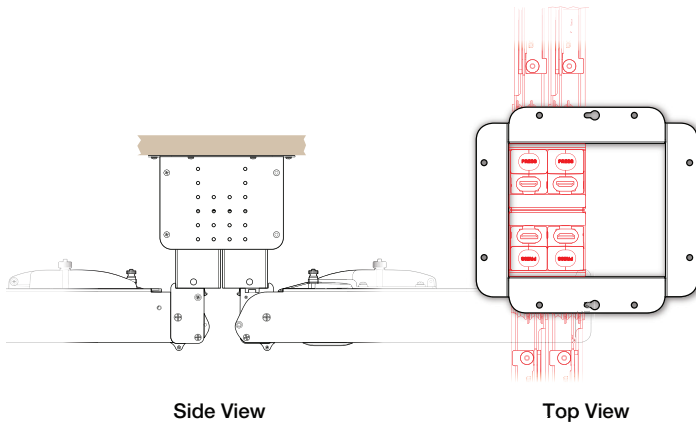


Alternative Retractor Configuration for Cable Cubby 650 UT

Optional Double Retractor bracket mounting:

Install brackets as shown below. Two double Retractor brackets can mount up to four Retractors.

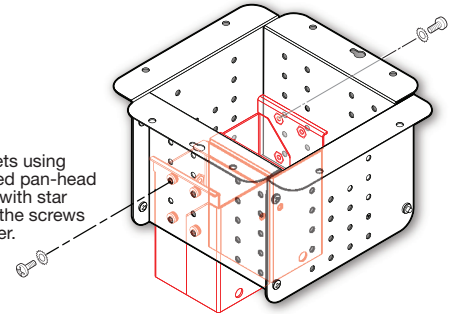
NOTE: Mount the Double Retractor bracket with the release buttons for the Retractor against the wall of the enclosure, opposite from each other, as shown below. **DO NOT** mount the Double Retractor bracket side by side. There is not enough space to insert the mounting pins side by side.



NOTE: Mount Retractors opposite each other (see images above).

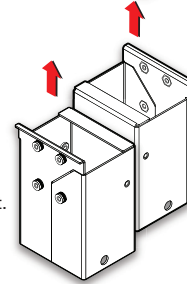
2

Secure the brackets using four of the provided pan-head mounting screws with star washers. Tighten the screws using a screwdriver.

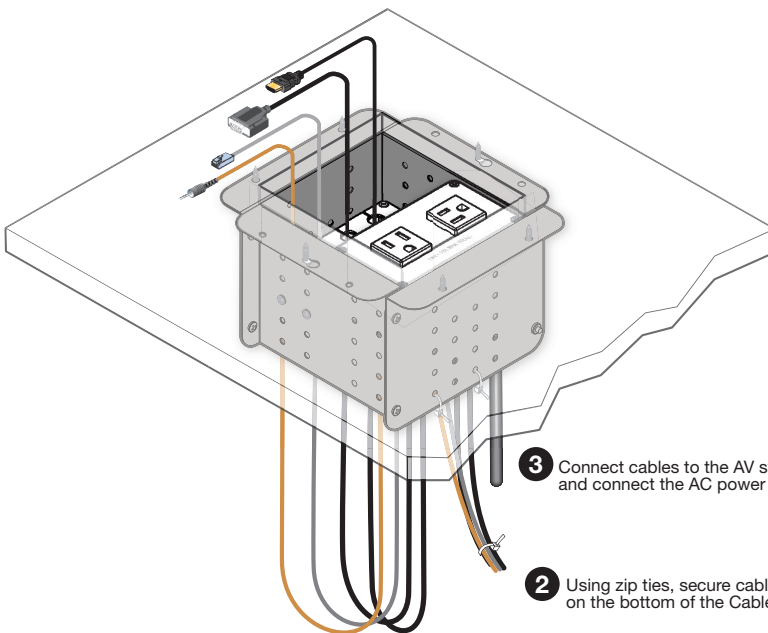


1

Insert the brackets as shown. The bracket may be installed on the left or right side of the enclosure and at the lowest height.



Routing and Connecting Cables



1 For cable pass-through applications, allow at least 36 inches (0.9 m) of cable loop for each cable.

2 Using zip ties, secure cables to the holes on the bottom of the Cable Cubby.

3 Connect cables to the AV system and connect the AC power cord.

CAUTION:

Risk of Electric Shock.
This equipment must be grounded.

ATTENTION :

Risque de choc électrique.
Cet équipement doit être fixé au sol.

NOTE: Ensure that there is no tension on the power cable.

Installation Checklist

Planning (page 1)

- Check with local and state regulations before starting the installation
- Check all parts and equipment before installation
- Determine number of enclosures to install

Preparing the Table (page 2)

- Determine the best location for the enclosure
- Verify sufficient space under furniture
- Cut a hole in the table and pre-drill mounting holes (page 3)

Preparing the Cable Cubby (page 4)

- If applicable, assemble enclosures
- Assemble connectivity modules
- Install the modules (page 5)

Mounting the Cable Cubby in the Table (page 5)

- Mount the Cable Cubby under the table

Installing Retractors (page 6)

- Remove Retractor screws for horizontal and angular mount applications
- Install Retractors into the bracket

Routing and Connecting Cables (page 7)

- Dress cables under the table
- Connect cables to the AV system

For information on safety guidelines, regulatory compliances, EMI/EMF compatibility, accessibility, and related topics, see the [Extron Safety and Regulatory Compliance Guide](#) on the Extron website.