

# DVI 104

## DVI FIBER OPTIC EXTENDER

- Transmits single link DVI-D signals over four multimode fiber optic cables
- Sends 1920x1200 and HDTV 1080p/60 signals up to 500 meters (1,640 feet)
- All digital technology for high performance signal transmission
- Pixel-for-pixel image quality
- EDID Minder
- Pre-terminated multimode fiber optic cables available from Extron



The Extron DVI 104 is a transmitter and receiver set that sends single link DVI signals over long distances up to 500 meters (1,640 feet) over four multimode fiber optic cables. It uses all digital technology to deliver perfect pixel-for-pixel transmission of computer-video images up to 1920x1200 resolution, including HDTV 1080p/60.



# Extron® Electronics


[www.extron.com](http://www.extron.com)



# SPECIFICATIONS

OPTICAL FIBER INTERCONNECTION BETWEEN TRANSMITTER AND RECEIVER	
<b>NOTE:</b> These transceivers are class 1 laser products. They meet the safety regulations of IEC-60825, FDA 21, CFR 1040.10, and FDA 21 CFR 1040.11.	
<b>Optical fiber interconnection between transmitter and receiver</b>	
Number/type	4 fiber optic, multimode
Connectors	4 female LC connectors
Operating distance	Up to 1,640' (500 m)
Nominal peak wavelength	850 nm
<b>NOTE:</b> Operating distance is approximate. This is a typical distance. The maximum distance may be greater than these typical numbers depending on factors such as fiber type, fiber bandwidth, connector splicing, losses, modal or chromatic dispersion, environmental factors, and kinks.	
VIDEO	
Gain	Unity
Maximum data rate	4.95 Gbps (1.65 Gbps per color)
Maximum pixel clock	165 MHz
Resolution range	Up to 1920x1200 or 1080p @ 60 Hz
Formats	RGB and YCbCr digital video
Standards	DVI 1.0
VIDEO INPUT — TRANSMITTER	
Number/signal type	1 single link DVI
Connectors	1 male DVI-D
VIDEO OUTPUT — RECEIVER	
Number/signal type	1 single link DVI
Connectors	1 male DVI-D
GENERAL	
Power	Supplied by an external power supply or by the source device's 5 VDC output on pin 14 of a DVI connector
External power supply	100 VAC to 240 VAC, 50/60 Hz, external; to 5 VDC, 1 A, regulated
Power input requirements	5 VDC, 0.1 A
Temperature/humidity	Storage: -40 to +158 °F (-40 to +70 °C) / 10% to 90%, noncondensing Operating: +32 to +122 °F (0 to +50 °C) / 10% to 90%, noncondensing
Cooling	Convection, no vents
Mounting	
Rack mount	No
Furniture mount	No
Enclosure type	Plastic
Enclosure dimensions	0.6" H x 1.5" W x 2.3" D (1.5 cm H x 3.9 cm W x 5.9 cm D) (Depth excludes DVI connector.)
Product weight	0.7 lbs (0.3 kg) per Tx/Rx pair
Shipping weight	1 lb (<1 kg) per Tx/Rx pair
Vibration	ISTA 1A in carton (International Safe Transit Association)

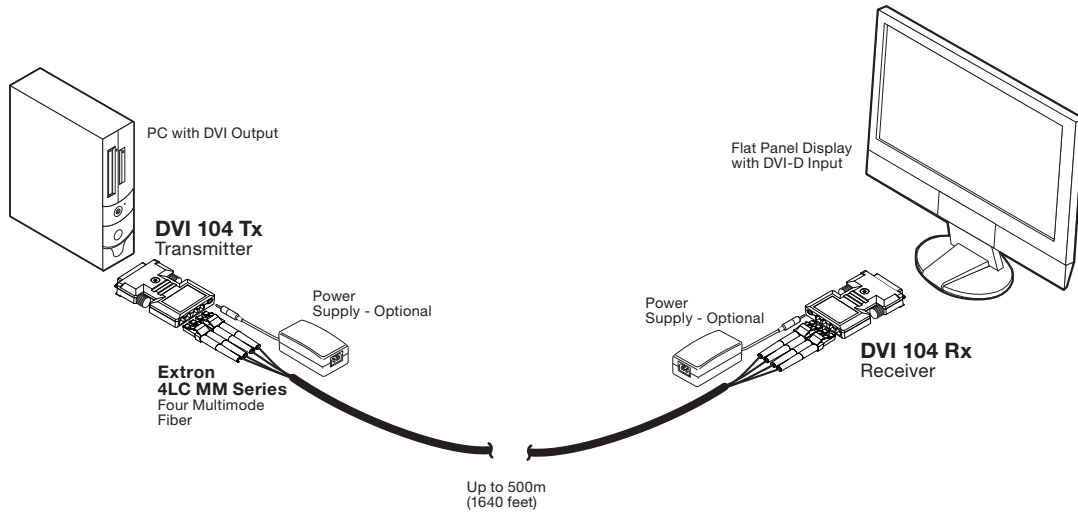
Regulatory compliance		
Safety	CE, C-tick, CUL, UL	
EMI/EMC	CE, C-tick, FCC Class A, FDA Class 1, ICES, VCCI	
Environmental	Complies with the appropriate requirements of RoHS.	
Warranty	3 years parts and labor	
<b>NOTE:</b> All nominal levels are at ±10%.		
Model	Version Description	Part Number
DVI 104 Tx/Rx	Transmitter/Receiver Set	60-977-01
Optional Accessories		
4LC MM Series		
LC to LC Multimode Fiber Optic Cable Assemblies		
4LC MM/10m	10m (33')	26-652-01
4LC MM/20m	20m (66')	26-652-02
4LC MM/30m	30m (98')	26-652-03
4LC MM/40m	40m (131')	26-652-04
4LC MM/50m	50m (164')	26-652-05
4LC MM/60m	60m (197')	26-652-06
4LC MM/70m	70m (230')	26-652-07
4LC MM/80m	80m (263')	26-652-08
4LC MM/90m	90m (295')	26-652-09
4LC MM/100m	100m (328')	26-652-10
4LC MM/200m	200m (656')	26-652-11
4LC MM/300m	300m (984')	26-652-12



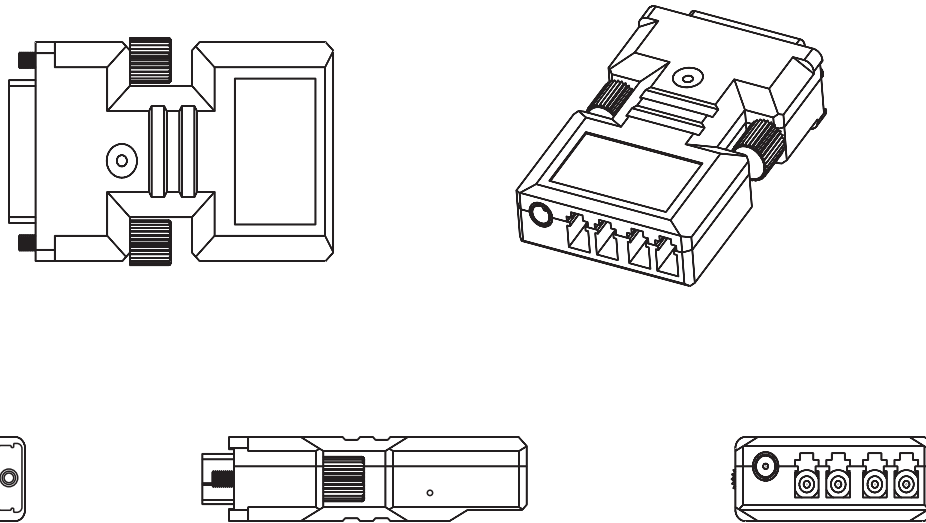
**4LC MM/10m**

Specifications are subject to change without notice.

# APPLICATION DIAGRAM



# PANEL DRAWINGS



**Extron USA - West**  
Headquarters  
**+800.633.9876**  
Inside USA / Canada Only  
**+1.714.491.1500**  
**+1.714.491.1517 FAX**

**Extron USA - East**  
**+800.633.9876**  
Inside USA / Canada Only  
**+1.919.863.1794**  
**+1.919.863.1797 FAX**

**Extron Europe**  
**+800.3987.6673**  
Inside Europe Only  
**+31.33.453.4040**  
**+31.33.453.4050 FAX**

**Extron Asia**  
**+800.7339.8766**  
Inside Asia Only  
**+65.6383.4400**  
**+65.6383.4664 FAX**

**Extron Japan**  
**+81.3.3511.7655**  
**+81.3.3511.7656 FAX**

**Extron China**  
**+400.883.1568**  
Inside China Only  
**+86.21.3760.1568**  
**+86.21.3760.1566 FAX**

**Extron Dubai**  
**+971.4.2991800**  
**+971.4.2991880 FAX**