

Occupancy Sensor OCS 100W • Setup Guide

The OCS 100W is a dual technology occupancy sensor that can be used to automate meeting and presentation spaces when used with Extron control products. The OCS is equipped with ultrasonic (US), infrared (PIR), and photocell sensors that can be used together to report ambient light conditions and room occupancy. Sensors can be wired directly to Extron controller products equipped with Digital I/Os ports or via eBUS, when using optional eBUS interface accessories.

The OCS requires 24 VDC for operation. If local 24 V power is not available, use the included 12 V to 24 V, USB 5 V to 24 V power converter.

NOTE: The OCS 100W is designed to detect occupancy using both the PIR and US sensors with their default settings to avoid false detections.

Front Panel Features and Control

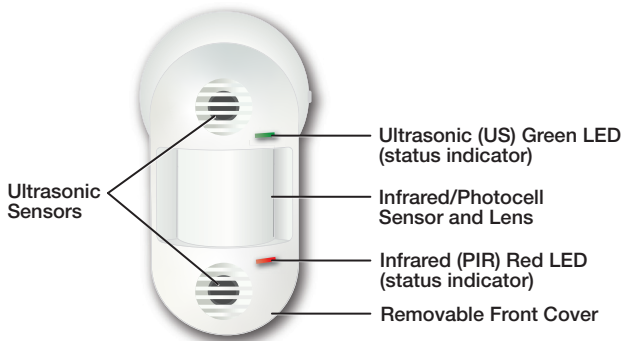


Figure 1. OCS 100W Front Panel Features

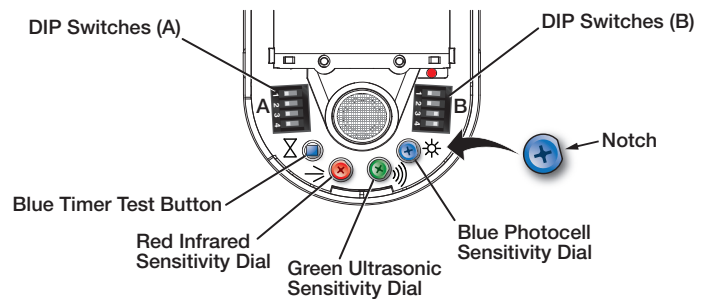


Figure 2. OCS 100W Controls

- **Ultrasonic Sensors (2)** – Detect movement in the room, based on ultrasonic sound waves. The US sensor emits ultrasonic sound waves into an area and measures the speed of their return to detect the presence of people. Frequency changes are caused by the movement of people, which is detected by the US waves.
- **Ultrasonic (US) Green LED status indicator** – Flashes when the ultrasonic sensors detect occupancy.
- **Infrared/Photocell Sensor and Fresnel Lens** –
 - The Fresnel lens diffracts the incoming light and directs the light to the infrared sensor behind it.
 - The Infrared (PIR) sensor detects the presence of people based on the difference between the heat generated by moving people versus the ambient room temperature.
- **Infrared (PIR) Red LED status indicator** – Flashes when the infrared sensor detects occupancy.
- **Removable Front Cover** – Conceals all controls and DIP switches.
- **DIP Switches (A)** –

A	Switch Function	OFF	ON	Note
1	Not used	*Not used	Not used	Switch is not used.
2	Occupancy detection behavior - Dual Technology Mode	*Mutually exclusive (requires both PIR and US detection)	Independent (either PIR or US detection)	If A2 is set to OFF , both the PIR and US sensors must be triggered (simultaneously) before the OCS reports an occupancy signal. If A2 is set to ON , the OCS reports occupancy based on only one of the sensors being triggered. When only one sensor is desired, set A2 to ON and adjust the dials accordingly. If A2 is ON , false detection when the room is not occupied increases.
3	Sensor status indicators	*LEDs enabled	LEDs disabled	Setting A3 to OFF provides a visual notification whenever the PIR or US sensors are triggered. When the visual LED indicators are a distraction or you want to disable the flashing LEDs, A3 should be set to ON .
4	Automatic adjust reset	*Retain learned sensor adjustments	Erase all learned settings (toggle ON , then OFF)	Only applicable when Timer (B3) or Sensitivity adjust (B4) or both are set to Automatic mode (OFF). Toggling A4 ON then OFF will reset any stored learned adjustments.

*Default and recommended settings

Occupancy Sensor OCS 100W • Setup Guide (Continued)

- **DIP Switches (B)** — (see [figure 2](#) on the previous page)

B	Switch Function	Settings				Note
		*8 minutes: OFF	4 minutes: OFF	15 minutes: ON	30 minutes: ON	
1	Timer Setting (B1 and B2 switches must be set together)	*OFF	ON	OFF	ON	In manual mode only (B3 set to ON), set the amount of time before the sensor triggers OFF when there is no occupancy detected. In automatic mode (B3 set to OFF) the timer settings are ignored.
2						
B	Switch Function	OFF		ON		
3	Timer adjust	Automatic		*Manual		Applies to the Timer (blue), Infrared sensitivity (red), and Ultrasonic sensitivity (green) adjustment dials. <ul style="list-style-type: none"> • Setting to Manual mode allows for more predicted behavior and is better suited for automating AV applications. • Setting to Automatic mode allows the sensor to learn over time the ideal timer and sensitivity adjustments for the space and usage trends. This is better suited for automating lighting applications. • All adjustment dials are disabled when set to Automatic (OFF).
4	Sensitivity adjust	Automatic		*Manual		

***Default and recommended**

NOTE: B3 must be set to **ON** for Manual mode, in order to adjust the timer switches manually. B4 must be set to **ON** for Manual mode, in order to adjust the infrared sensitivity and US sensitivity dials manually.

- **Timer Setting (B1 and B2)** — The occupancy sensor has a built-in timer feature. In Manual mode (B3 set to **ON**), set the B1 and B2 DIP Switches together, as shown in the table above, to set the amount of time before the sensor triggers **OFF**. When the sensor detects motion, it instantly triggers **ON**.

Once occupancy is no longer detected, the timer begins. If no motion is detected and the timer expires, then the sensor triggers **OFF**.

NOTE: If it takes too long for the OCS to turn off when the room is unoccupied, adjust the timer to 8 or 4 minutes and extend the timer via the configuration of the connected control processor. This setup reduces false detection.

- **Blue Timer Test Button** —
 - To enable an 8 second timer test mode, push the blue button once. The test mode lasts for 1 hour, and then automatically resets to the dip switch settings.
 - To cancel the 8 second test mode, push and hold the blue button until the red LED flashes, returning the OCS to the settings defined by the dip switches.
- **Red Infrared Sensitivity Dial** — Adjust this dial to increase or decrease infrared sensitivity.
 - Turn counter-clockwise (CCW) to decrease sensitivity. Major movements are needed to detect occupancy.
 - Turn clockwise (CW) to increase sensitivity. Minor movements are detected as occupancy.
 - The factory default setting is at 75%.
- **Green Ultrasonic Sensitivity Dial** — Adjust this dial to increase or decrease ultrasonic sensitivity.
 - Turn counterclockwise (CCW) to decrease sensitivity. Major movements are needed to detect occupancy.
 - Turn clockwise (CW) to increase sensitivity. Minor movements are detected as occupancy.
 - The factory default setting is at 100%.
- **Blue Photocell Sensitivity Dial** — Photocell prevents the sensor from triggering on when the area is adequately lit with natural light and when motion is detected. The sensor must be mounted directly over an area that is representative of the average, natural room lighting. Before setting the photocell control, wait until the natural light is brightest (optional). Adjust this dial to increase or decrease photocell sensitivity.
 - Turn counterclockwise to decrease photocell sensitivity, causing it to activate with less light.
 - Turn clockwise to increase photocell sensitivity, requiring brighter light to activate the sensor.
 - Factory default is 100% (full clockwise) — Photocell sensor is disabled.
 - Range — 10 to 1000 lux

Recommended Setup

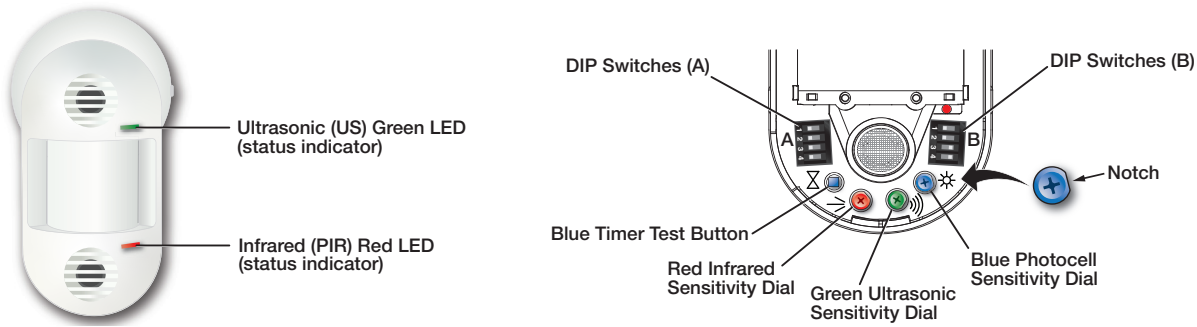


Figure 3. OCS 100W Front Panel Features and Controls

With the OCS in the default or recommended settings (A2 OFF), the OCS requires **both** the IR sensor **AND** the US sensor to detect occupancy to turn ON. Only one sensor (PIR **or** US) needs to trigger to reset the timer for the OCS to remain ON while the room is still occupied. When the OCS is in the OFF state, no occupancy is detected.

Follow these steps to set up the OCS to detect occupancy with minimal false detection:

NOTE: We recommend using the OCS 100W in the default settings when beginning the setup or the test mode. If needed, adjust slightly from the default sensitivity settings.

1. Keep all the DIP switches and rotary dials in the default positions.
2. Set the OCS in Test Mode.
3. Enter the room several times to verify if the **IR detector** is detecting movement (red LED flashes).
 - If the red LED flashes when entering the room, the default red infrared sensitivity dial is set correctly.
 - Verify the red LED flashes with movement throughout the room.
 - Turn the red infrared sensitivity dial to decrease or increase IR sensitivity, until the red LED only flashes when entering the room or making movements throughout the room.
 - To avoid false detections when the room is unoccupied, do not make the sensor too sensitive.
4. Enter the room and verify if the **US detector** is detecting movement (green LED flashes).
 - If the green LED flashes when entering the room, the default green ultrasonic range dial is set correctly. This sensor is very sensitive.
 - Verify the green LED flashes with movement throughout the room.
 - Turn the green ultrasonic range dial to decrease or increase US sensitivity, until the green LED only flashes when entering the room or making movements throughout the room.
 - To avoid false detections when the room is unoccupied, do not make the sensor too sensitive.
5. Leave the room and close the door. Wait until the Digital output state, relay or red and green LEDs stay OFF. Wait several minutes to ensure there are no false detections.
 - If the door remains open, the US sensor may detect changes.
 - If possible, wait longer, to confirm no IR or US change is registered.
6. Enter the room again to confirm the Digital output state, relay, red, or green LEDs turn ON.

NOTE: After going through these steps and verifying the OCS is set up to accommodate the room, do not adjust the DIP switches or dials.

Automatic Mode

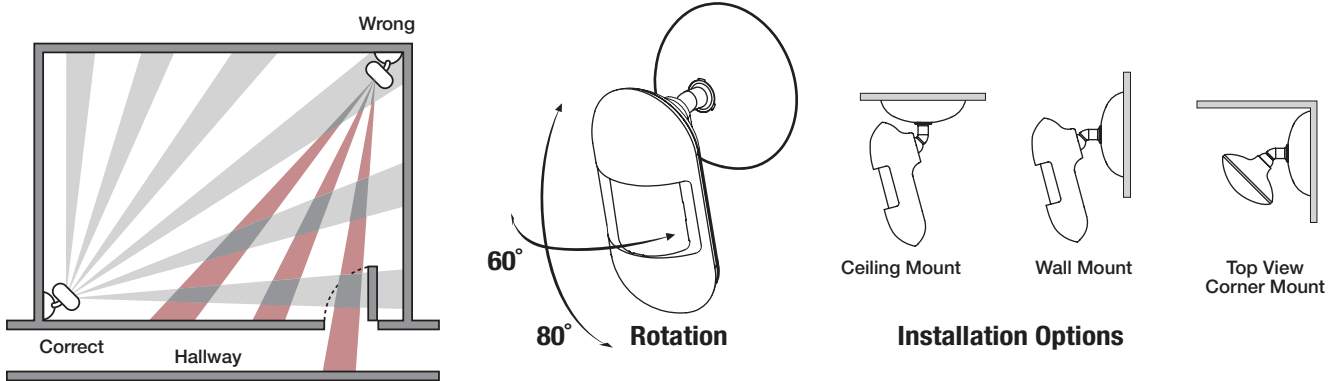
Out of the box, the OCS 100W can be set up in Automatic Mode, where no manual sensitivity adjustments are needed and sensitivity learning and adjustments are made automatically. For simple setup, we recommend keeping the OCS in the default settings and flipping the B4 Dip switch to the OFF (Auto) position. The OCS is ready to mount (see [Installation](#) on page 5).

Occupancy Sensor OCS 100W • Setup Guide (Continued)

Sensor Placement and Installation Options

When placing the sensor in a room, be sure the sensor is not aimed out through a door. The sensor can detect hallway traffic, causing false triggers. PIR sensors trigger in response to changes in the amount of IR arriving from any of their segments of view within a direct line of sight from the sensor. US sensors trigger in response to changes in the frequency of reflected ultrasonic waves, caused by movement within the space.

NOTE: See [Troubleshooting](#) on page 7 if you experience false triggers.

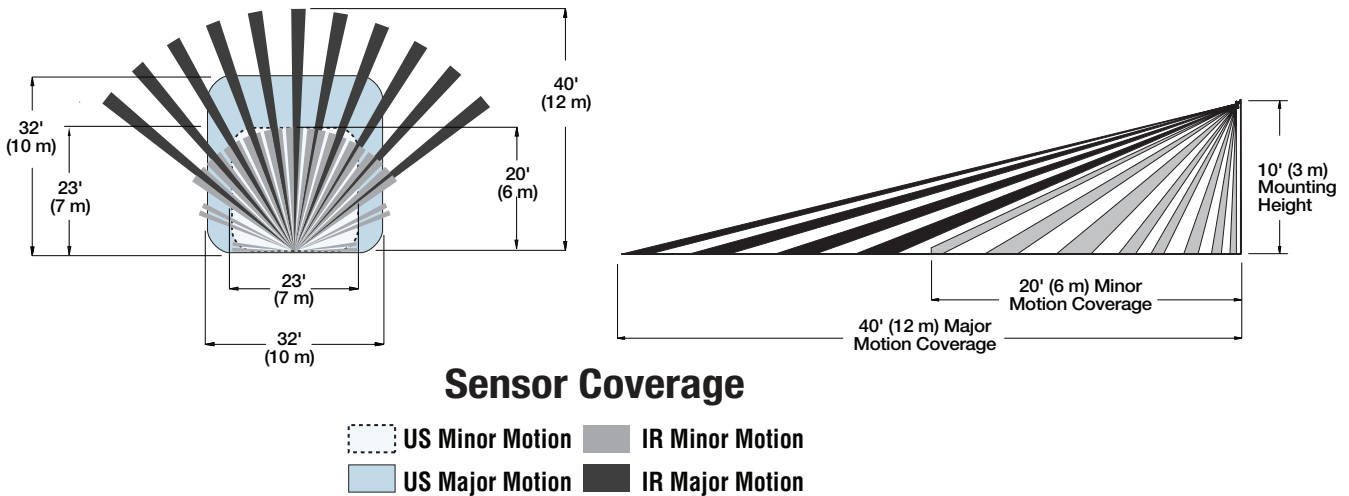


Sensor Placement

Figure 4. Sensor Placement and Installation Diagrams

NOTE: Mount the OCS 6 to 8 feet (1.8 to 2.4 m) away from HVAC vents and high air flow areas

Sensor Coverage



Sensor Coverage

Figure 5. Sensor Coverage Diagrams

OCS 100W Parts

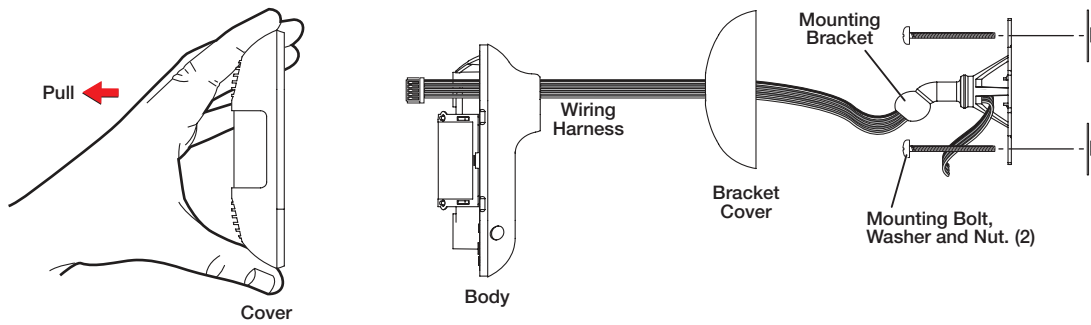


Figure 6. OCS 100W Parts

Installation

ATTENTION:

- All structural steps and electrical installation must be performed by qualified personnel in accordance with local and national building codes and electrical codes.
- Toute étape structurelle et installation électrique doit être effectuée par un personnel qualifié, conformément aux codes de sécurité de bâtiments et de produits électriques en vigueur à l'échelle régionale et nationale.



- Only connect to Class III SELV systems.
- Connectez l'unité uniquement à des systèmes fonctionnant en très basse tension de sécurité (TBTS) de classe III.

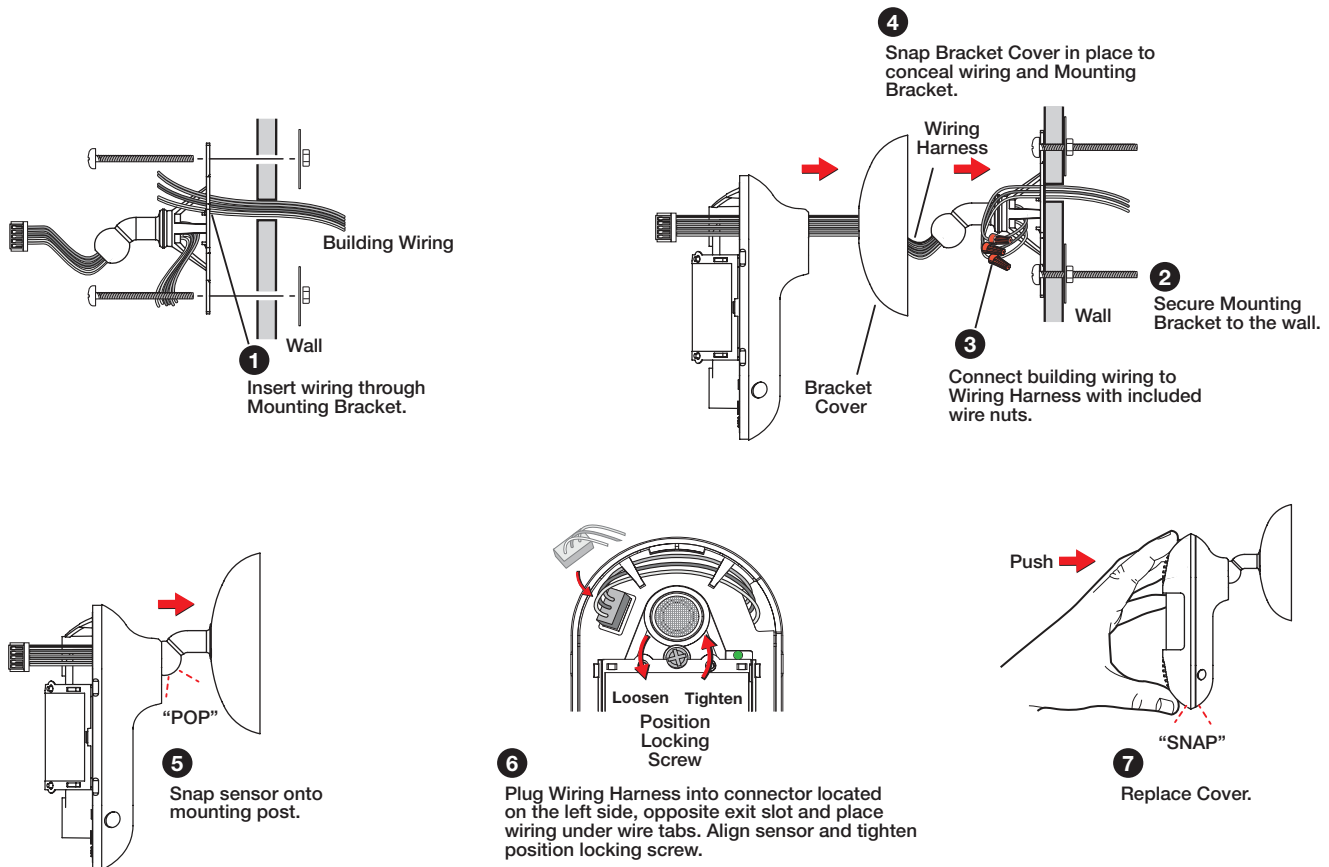


Figure 7. OCS 100W Installation

Occupancy Sensor OCS 100W • Setup Guide (Continued)

PC 1224 Wiring

ATTENTION:

- Do not connect power to the device until you have read **ATTENTION:** on page 8.
- Ne branchez pas l'alimentation à l'appareil avant d'avoir lu les mises en garde «**ATTENTION:**» a la page 8.
- Remove power from the system before making any connections.
- Mettez le système hors tension avant d'effectuer tout raccordement.
- The controller and the OCS 100W must share a common ground connection to avoid ground loops and a difference in grounding potential.
- Le contrôleur et l'OCS 100W doivent partager une connexion de mise à la terre commune pour éviter les risques de boucles de terre et une différence dans le potentiel de terre.

The OCS 100W requires 24 VDC. If the sensors are connected to a device that does not provide 24 VDC, use the included PC 1224 power module:

1. Connect a 12 VDC power source to the 12 VDC input on the supplied PC 1224 power converter (see figure 8), or power via the USB type-C 5 V input (see figure 9).
2. Wire the PC 1224 24 VDC, 75 mA max connector to the black and red wires on the OCS 100W.

NOTE: When the PC 1224 is powered via the USB 5 V input, the 24 V output is rated at 35 mA.

A 12 VDC, 1.25 A max pass-through is available to power additional 12 VDC devices, only if powered from the 12 V input.

OCS 100W Wiring

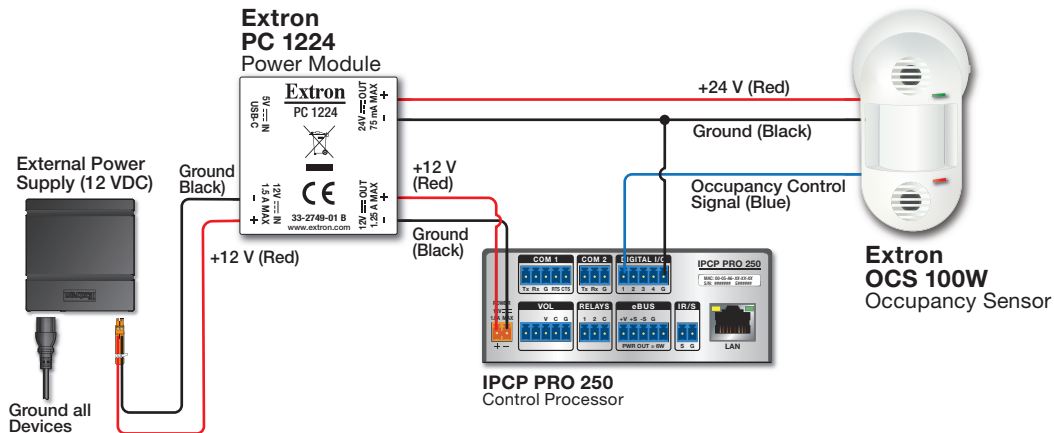


Figure 8. OCS 100W External Power Supply Wiring Diagram

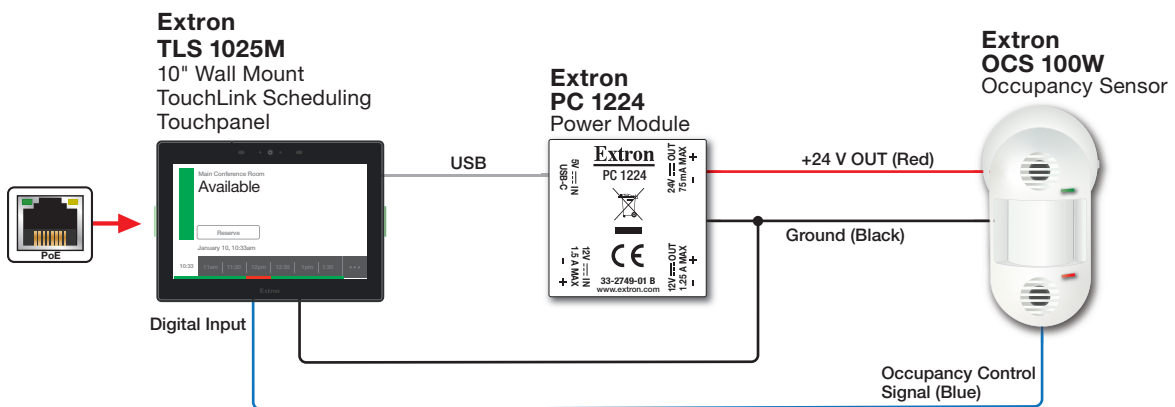


Figure 9. OCS 100W USB Power Wiring Diagram

Wire	Connections	Note
Power		
Black	Ground	Shared with all of the outputs.
Red	+24 VDC	Power input.
Occupancy Control Outputs		
Blue	Occupancy control output	When wiring the blue wire of the OCS to Extron products with Digital or FLEX Input ports, configure the ports as Input without pull up. The sensor provides approximately 21 VDC in the ON state and 0 VDC in the OFF state. Use the shared black ground wire.
Blue/White	Common	Relay contacts could be used to trigger third party devices, such as HVAC, based on occupancy.
Black/White	Normally closed when unoccupied	
Yellow/White	Normally open when unoccupied	
Occupancy and Lighting Output		
Gray	Occupancy and photocell control output	Typically used for lighting applications. When wiring the gray wires of the OCS to Extron products with Digital or FLEX Input ports, configure the ports as Input without pull up. The output state will remain OFF 0 VDC when occupancy is detected but there is high amount of ambient or natural light in the room. Only when there is low or no ambient or natural light in the room and occupancy is detected will the output state trigger ON 21 VDC. Use the shared black ground wire.

Troubleshooting

Problem	Possible Cause	Test	Solution
Sensor remains ON.	Constant noise.	Reduce both green and red knobs by 1/8 (15%) turn or remove noise source.	Move sensor to a less noisy area within the room.
Sensor remains OFF.	Sensitivity is set too low.	Increase both green and red knobs by 1/8 (15%) turn.	Move sensor. If the A2 DIP switch is set to OFF, set green and red US/IR sensitivity dials to normal levels.
Sensor remains on too long.	Timer setting too high.	Check DIP switch settings.	Reduce timer setting.
Hallway traffic turns sensor on.	Infrared sensor can see into the hallway.	Put sensor in timer test mode and walk the hallway.	Move sensor, so it cannot see into the hallway.

Safety Instructions

For information on safety guidelines, regulatory compliances, EMI/EMF compatibility, accessibility, and related topics, see the [Extron Safety and Regulatory Compliance Guide](#) on the Extron website.

FCC Class A Notice

This equipment has been tested and found to comply with the limits for a Class A digital device, pursuant to part 15 of the FCC rules. The Class A limits provide reasonable protection against harmful interference when the equipment is operated in a commercial environment. This equipment generates, uses, and can radiate radio frequency energy and, if not installed and used in accordance with the instruction manual, may cause harmful interference to radio communications. Operation of this equipment in a residential area is likely to cause interference. This interference must be corrected at the expense of the user.

NOTE: For more information on safety guidelines, regulatory compliances, EMI/EMF compatibility, accessibility, and related topics, see the [Extron Safety and Regulatory Compliance Guide](#) on the Extron website.

Power Attention

ATTENTION:

- These products are intended for use with a UL Listed LPS type power source.
- Ces produits doivent être utilisés avec une source d'alimentation de type LPS certifiée UL.
- Use of a non-LPS or unlisted power supply will void all regulatory compliance certification.
- L'utilisation d'une source d'alimentation non-listée ou non-certifiée LPS annulera toute certification de conformité réglementaire.
- Unless otherwise stated, the AC/DC adapters are not suitable for use in air handling spaces or in wall cavities. The power supply is to be located within the same vicinity as the Extron AV processing equipment in an ordinary location, Pollution Degree 2, secured to the equipment rack within the dedicated closet, podium, or desk.
- Sauf mention contraire, les adaptateurs CA/CC ne conviennent pas à une utilisation dans les espaces d'aération ou dans les cavités murales. La source d'alimentation doit être placée à proximité de l'équipement Extron dans un emplacement ordinaire soumis à un degré de pollution de catégorie II, solidement fixé au rack d'équipement d'une baie technique, d'un pupitre, ou d'un bureau.
- The installation must always be in accordance with the applicable provisions of National Electrical Code ANSI/NFPA 70, article 725 and the Canadian Electrical Code part 1, section 16.
- Cette installation doit toujours être conforme aux dispositions applicables du Code américain de l'électricité (National Electrical Code) ANSI/NFPA 70, article 725, et du Code canadien de l'électricité, partie 1, section 16.
- The power supply shall not be permanently fixed to building structure or similar structure.
- La source d'alimentation ne devra pas être fixée de façon permanente à la structure de bâtiment ou à d'autres structures similaires.

For information on safety guidelines, regulatory compliances, EMI/EMF compatibility, accessibility, and related topics, see the [Extron Safety and Regulatory Compliance Guide](#) on the Extron website.