

RCP 401 EU and RCP 401 MK • Setup Guide

IMPORTANT NOTE:

Go to www.extron.com for the complete user guide, installation instructions, and specifications before connecting the product to the power source.



Overview

The RCP 401 EU and RCP 401 MK are remote control panels that allow remote operation of the SMP 401. User-friendly record, pause, stop, and mark buttons enhance the recording experience. Manage and save files directly to thumb drives or external portable drives through a USB port that supports writing speeds up to 5 Gbps. It also features buttons for swap and layout preset recall functions, streamlining the creative workflow. Status lights and audible alerts keep users informed of SMP 401 recording status. The RCP 401 EU and RCP 401 MK include a USB-C control cable for easy, out-of-the-box connection to the SMP 401. The RCP 401 EU panels include black and white faceplates for a wide range of environments. The RCP 401 MK model is available in white only.

This guide provides basic instructions for an experienced installer to install either of these remote control panels and contains the following sections:

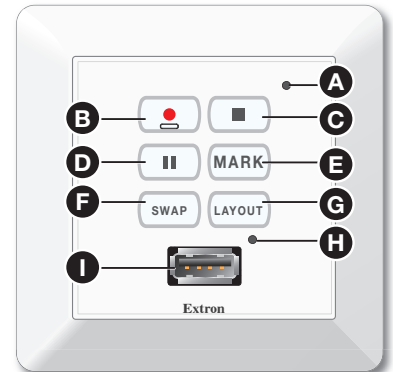
- [RCP 401 Front Panel Features](#)
- [RCP 401 Rear Panel Features](#)
- [Installation](#)
- [Configuration](#)
- [Making a Recording](#)

RCP 401 Front Panel Features

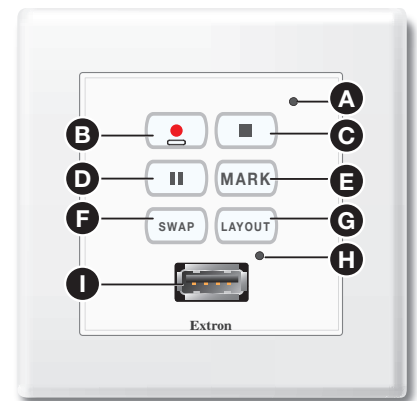
The front panel features of the RCP 401 EU and RCP 401 MK are identical apart from the wallplate.

The recording controls have backlit buttons that indicate the current state of the recording operation. Inactive buttons are backlit dimly to help identify them in low ambient lighting.

- A Activity LED** — Blinks green once when a button press is detected. It blinks red when an on-screen or all notifications alarm on the attached SMP is triggered.
- B Record button** — Press to start recording on the attached SMP 401. The button lights red and remains lit during active recording. The button has a nub that can be felt with the fingertips.
- C Stop button** — Press to stop the active recording. As the recorded file is finalized, the button blinks. Once the file is finalized, the button lights solidly.
- D Pause button** — Press to pause the active recording. While the recording is paused, this button blinks.
Press **Record** or **Pause** to resume recording. Press **Stop** to end the recording.
- E Mark button** — Press this button to place a chapter marking in the recorded file. When pressed during active recording, the button momentarily blinks.
The button also lights when JPG thumbnails are created. By default, thumbnails are created automatically and the interval between the creation of each thumbnail can be changed by the user on the SMP 401 embedded webpage.
- F Swap button** — Press this button to exchange size and position between window A and window B.
- G Layout button** — Press this button to toggle between the selected layout presets. Admin can choose up to seven layout presets from the SMP embedded webpage.
- H USB Storage LED** — Indicates the status of the storage port:
 - Lights green solidly when the recording destination is set to **RCP USB** or **Auto** and the attached storage device is ready for the next recording. The LED does not turn on if less than 10 minutes of recording space remain on the storage device.
 - Blinks green during a recording to indicate data transfer activity.
 - Turns off when no USB storage device is detected or the attached storage is disconnected.
- I USB storage port** — Connect a USB compatible media storage device to this port. This storage device can be any standard external hard drive or USB flash drive formatted with a compatible file system.



RCP 401 EU



RCP 401 MK

Figure 1. RCP 401 EU (top) and MK (bottom) Front Panels

NOTE: SMP 401 models can detect and record to USB storage devices that use FAT32, VFAT long file name extensions, exFAT, EXT2, EXT3, EXT4 file system, or NTFS-formatted storage volumes.

RCP 401 EU and RCP 401 MK • Setup Guide

Front Panel Lockout (Executive Mode)

When front panel lockout is on, all the buttons on the RCP 401 are disabled. To toggle between enabling or disabling front panel lockout, press and hold the **Pause** and **Mark** buttons simultaneously for three seconds.

As front panel lockout is enabled, all buttons and the red activity LED (see [figure 1](#), **A** on page 1) blink three times. As front panel lockout is disabled, all the buttons and the green activity LED (see [figure 1](#), **A**) blink three times. If a button is pressed while front panel lockout is enabled, all buttons blink three times.

RCP 401 Rear Panel Features

The back panel features of the RCP 401 EU and RCP 401 MK are identical (see figure 2).

A USB connector — Connect the RCP 401 EU/MK to the rear panel of the the SMP using the provided 6 foot (1.8 meter) USB-C to USB-C cable. This connection provides power and control to the RCP. To increase the distance up to 300 feet (100 m), use an Extron UCS 900 Series extender (see www.extron.com).

To power the unit by connecting it to the SMP, use the provided cable to connect to the rear panel of the SMP.

B Cable anchor — Use a zip tie to secure the USB cable to this anchor.

C Power inlet — Optionally, the RCP 401 EU/MK can be powered with a 12 VDC, 1.0 A power supply.

To power the unit with a power supply, connect the power supply to this input. Ensure the polarity of the wires is correct (figure 3, **1**) and the wires are stripped correctly (**2**).

NOTE: We recommend powering up the RCP using the USB-C connection.

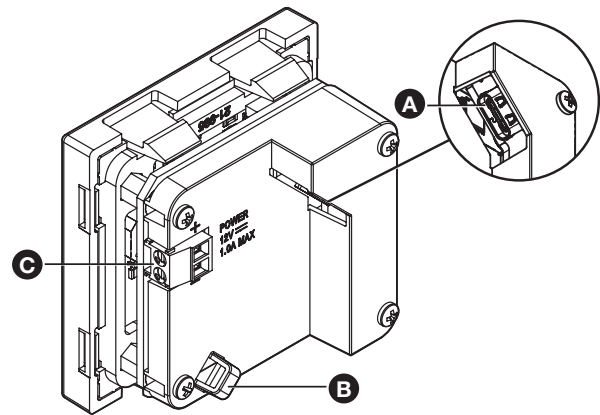


Figure 2. RCP 401 Rear Panel

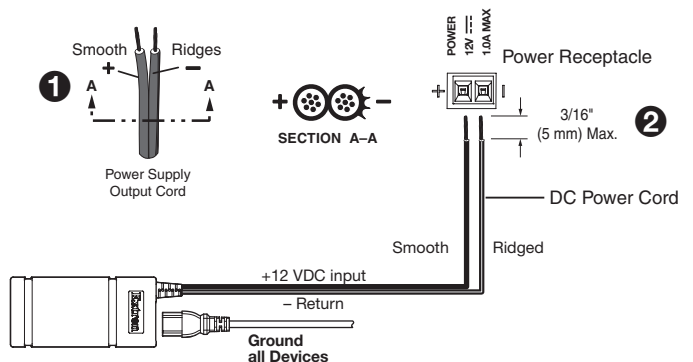


Figure 3. Connecting Power to the RCP 401

ATTENTION:

- Always use a power supply provided by or specified by Extron. Use of an unauthorized power supply voids all regulatory compliance certification and may cause damage to the supply and the end product.
- Utilisez toujours une source d'alimentation fournie ou recommandée par Extron. L'utilisation d'une source d'alimentation non autorisée annule toute certification de conformité réglementaire, et peut endommager la source d'alimentation et l'unité.
- If not provided with a power supply, this product is intended to be supplied by a UL Listed power source marked "Class 2" or "LPS" and rated output 12 VDC, minimum 1.0 A.
- Si le produit n'est pas fourni avec une source d'alimentation, il doit être alimenté par une source d'alimentation certifiée UL de classe 2 ou LPS, avec une tension nominale 12 Vcc, 1,0 A minimum.
- Unless otherwise stated, the AC/DC adapters are not suitable for use in air handling spaces or in wall cavities.
- Sauf mention contraire, les adaptateurs CA/CC ne conviennent pas à une utilisation dans les espaces d'aération ou dans les cavités murales.
- The installation must always be in accordance with the applicable provisions of National Electrical Code ANSI/NFPA 70, article 725 and the Canadian Electrical Code part 1, section 16. The power supply shall not be permanently fixed to building structure or similar structure.
- Cette installation doit toujours être conforme aux dispositions applicables du Code américain de l'électricité (National Electrical Code) ANSI/NFPA 70, article 725, et du Code canadien de l'électricité, partie 1, section 16. La source d'alimentation ne devra pas être fixée de façon permanente à la structure de bâtiment ou à d'autres structures similaires.

Installation

ATTENTION:

- Installation and service must be performed by authorized personnel only.
- L'installation et la maintenance du système doivent être exclusivement effectuées par le personnel autorisé.
- Only for use with Extron UL Listed Streaming Media Processor products.
- À utiliser uniquement avec les processeurs de streaming multimédia certifiés UL Extron.
- If the RCP 401 will be installed into fine furniture, it is best to hire a licenced, bonded craftsman to cut the access hole and perform the physical installation so the surface will not be damaged.
- S'il est prévu d'installer le RCP 401 dans du beau mobilier, il est préférable de faire appel à un artisan autorisé et qualifié pour couper le trou d'accès et réaliser l'installation de telle façon que la surface ne soit pas endommagée.
- Follow all national and local building and electrical codes that apply to the installation site.
- Respectez tous les codes électriques et du bâtiment, nationaux et locaux, qui s'appliquent au site de l'installation.
- All electrical installation should be performed by qualified personnel in accordance with local and national building codes, fire and safety codes, and local and national electrical codes.
- Toute installation électrique devrait être effectuée par un personnel qualifié, conformément aux codes du bâtiment, aux codes incendie et sécurité, et aux codes électriques locaux et nationaux.

Step 1: Prepare the Installation Site

Americans with Disabilities Act (ADA) compliance

When planning where to install these devices, you may need to consider factors affecting accessibility of the button panel such as height from the floor, distance from obstructions, and how far a user must reach to press the buttons. For guidelines, see sections 307 ("Protruding Objects") and 308 ("Reach Ranges") of the *2010 ADA Standards for Accessible Design* available at <http://www.ada.gov/regs2010/2010ADASTandards/>.

Site preparation

The RCP 401 EU fits the opening in a 1-gang EU, Jung AS 500 wallplate, Extron Flex55 mounting system, or other European frame that accepts 55 mm x 55 mm modules. The RCP 401 MK fits in a standard MK wall frame for United Kingdom junction boxes. The units are shipped with a metal bracket and metal spacer that enable them to be mounted in the appropriate junction box. Extron offers optional UL Listed in-wall junction boxes, external wall boxes (EWBs), and surface or tabletop mounting boxes (see www.extron.com). To use these optional mounting accessories, follow the instructions provided with the mounting kit.

Step 2: Cable All Devices

Run the power and USB cables to the required destination but do not connect them until the unit is mounted.

ATTENTION:

- Do not connect any external power supplies until you have read the Attention notifications in the **Power inlet** section on page 2.
- Ne branchez pas une source d'alimentation externe avant d'avoir lu les mises en garde dans la section « **Power inlet** » sur page 2.

RCP 401 EU and RCP 401 MK • Setup Guide

Step 3: Mount the Remote Control Plate

These button plates can be installed directly into the wall using a standard 1-gang European junction box (RCP 401 EU) or MK wall frame for United Kingdom junction boxes (RCP 401 MK). The RCP 401 EU can also be mounted in a [cable raceway](#) (see page 5).

NOTES:

- The electrical wall box must be purchased separately.
- Install the electrical wall box by following the instructions provided by the manufacturer.
- Use the metal bracket provided with RCP 401 unit.

The RCP 401 EU (see figure 4) and RCP 401 MK (see figure 5) are mounted as follows:

1. Decide where the panel will be located. Take into consideration the position of wall studs and windows that could obstruct cable runs.
2. Install the electrical wall box (1) by following the instructions provided by the manufacturer.
3. Attach the provided metal mounting bracket (2) using the two provided screws.

NOTES:

- The metal brackets provided with the EU and MK models are different and are not interchangeable.
- Ensure the bracket is in the correct orientation (with the side marked "Front" facing away from the wall).
- The EU model is attached with screws at the top and bottom.
- The MK model is attached with screws on both the sides.

4. Disconnect power from all devices at the source and run cables through the hole in the wall. Pass them through the metal mounting bracket and wallplate and connect them to the rear panel captive screw connectors (see [RCP 401 Rear Panel Features](#) on page 2).
5. Insert the RCP 401 into the wallplate (3) and press the entire assembly into the metal mounting bracket (2). The RCP 401 is secured to the metal bracket by two catches (one on each side) and holds the wallplate in place.

Removing the RCP 401

To remove the RCP 401 EU or MK from the wall, follow these steps:

1. Disconnect the RCP 401 from the power source.
2. Use the Extron removal tool to release the catches on either side of the control plate (see figure 6).
You may need to release both catches individually.
When the control plate is released, the wallplate comes away at the same time.
3. Remove the power cable (figure 2, A) on page 2) and the USB cable (B). If necessary, cut the zip tie securing the USB cable to the cable anchor (C).
4. If required, undo the two screws securing the metal mounting bracket to the wall box (figure 4, 2).

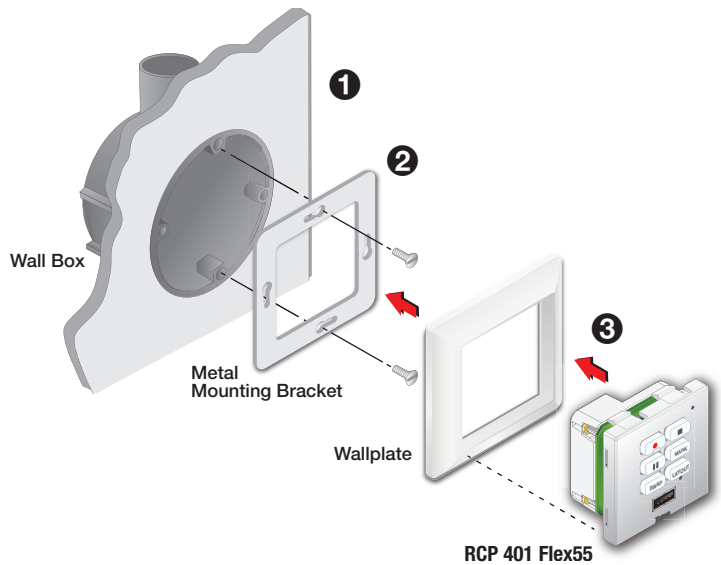


Figure 4. Mounting the RCP 401 EU

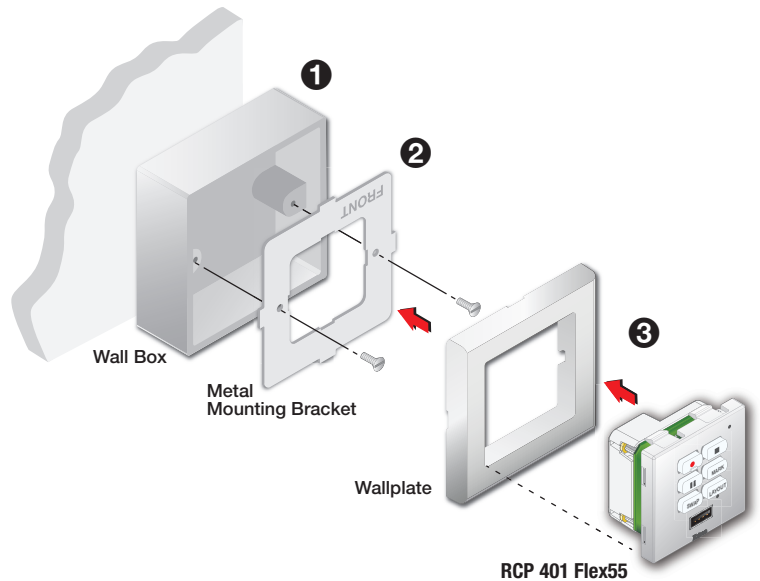


Figure 5. Mounting the RCP 401 MK

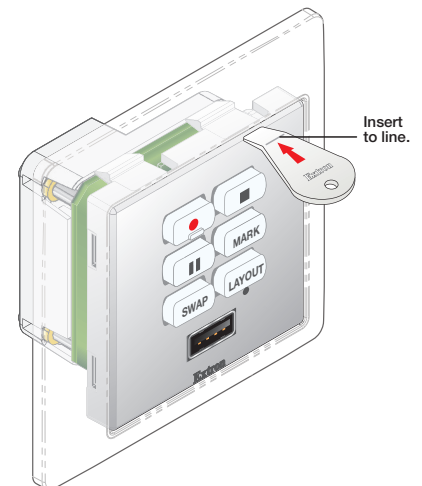


Figure 6. Removing the RCP 401

Mounting the RCP 401 EU in a cable raceway

The RCP 401 EU can be mounted in a cable raceway. Extron provides a metal spacer that can be used if there is a gap between the metal mounting bracket and the wallplate.

The spacer looks very similar to the metal mounting bracket, but has a slightly larger center opening, has holes instead of slots for the mounting screws, and is engraved with the words “Optional Spacer” and “Place behind bracket.” Do not use the spacer instead of the metal mounting bracket. The spacer has a larger opening and does not hold the RCP securely in the wallplate.

To mount the RCP 401 EU to a raceway using the spacer:

1. Mount an electrical box in the raceway (figure 7, ❶). Follow the instructions provided by the manufacturer.
2. If required, align the screw holes of the provided spacer with the holes in the electrical box (❷).
3. Align the screw holes in the metal bracket with the holes in the spacer and electrical box (❸).

NOTE: Ensure that the front surface of the mounting bracket is facing out (away from the wall).

4. Secure the metal bracket and spacer to the junction box, using the two provided screws (❹). Leave the screw heads protruding approximately 1/8 inch (3.18 mm) from the surface of the spacer.
5. Rotate the metal bracket as necessary to ensure that the RCP 401 EU is aligned correctly on the mounting surface.
6. Tighten the screws to secure the bracket to the spacer.
7. Disconnect power from all devices at the source and run cables through the raceway, junction box, spacer, metal mounting bracket and wallplate. Connect them to the rear panel (see [Step 2: Cable All Devices](#) on page 3).
8. Insert the RCP 401 into the wallplate (❺) and press the entire assembly into the metal bracket (❻). The RCP 401 is secured to the metal bracket by two catches (one on each side) and holds the wallplate in place.

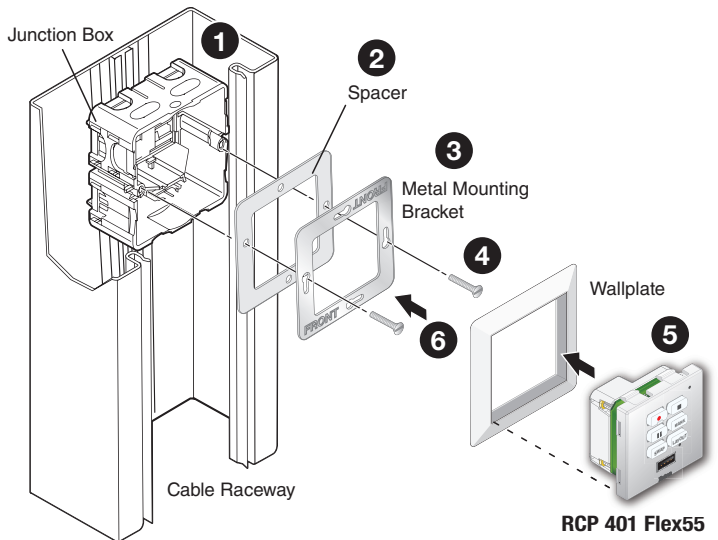


Figure 7. Mounting in a Cable Raceway

Configuration

SMP 401 Web Page

The RCP 401 can be configured from the SMP 401 web page.

1. Open a web browser and enter the IP address of the SMP. Log on as **admin** and enter the password. The SMP web page opens.
2. To confirm that the RCP 401 is connected to the SMP, click **CONFIGURATION > Device Utilites > REMOTE CONTROL PANEL (RCP)**. When the RCP 401 is detected by the SMP, the following information is displayed:

GENERAL	NETWORK	ADVANCED	REMOTE CONTROL PANEL (RCP)
RCP MODEL			
RCP 101 Flex55			
Part Number			
60-1868-xx			
RCP Firmware Version			
1.03			

Figure 8. RCP 401 Detected

When the RCP 401 is not connected, or not detected by the SMP, the **REMOTE CONTROL PANEL (RCP)** tab is not displayed.

3. To save a recording to the USB device inserted into the RCP 401, click **CONFIGURATION > Recording > RECORDING DESTINATION** to select **RCP USB**.
 - If a backup recording is desired, toggle on **Enable Secondary** and select a **Secondary Destination: Auto** or **USB RCP**.
 - To configure the priority of the Auto destination, go to the **Prioritize Destinations** pane and move the destinations up or down. Destinations are **Internal**, **USB Front**, **USB Rear**, **Network Folder**, and **USB RCP**.

4. To configure the RCP 401, click **CONFIGURATION > Device Utilities > REMOTE CONTROL PANEL (RCP) > Settings**.
Slide the toggle button left or right to enable or disable the following:
 - **Enable Executive Mode** — Enable or disable locking front panel controls.
 - **Beep on button press** — Enable or disable the RCP to beep when an RCP button is pressed.
 - **Beep on alarm trigger** — Enable or disable the RCP to beep when an alarm is triggered on the SMP.
5. To configure layout presets selection, click **CONFIGURATION > Device Utilities > REMOTE CONTROL PANEL (RCP) > Layout**. Select from seven different layout presets.
 - a. Slide the toggle button left or right to enable or disable **Enable Layout**. When **Disable Layout** is selected, the RCP 401 **Layout** button does not change layout when pressed.
 - b. Select a preset layout for each of the seven presets slots from the drop-down list.

The assigned preset layouts can be recalled from the RCP by pressing the RCP **LAYOUT** button (see figure 10, **E**).

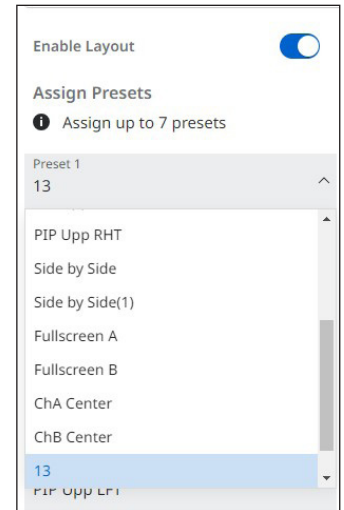


Figure 9. RCP 401 Layout Panel

Firmware

The firmware version installed on the RCP 401 must be compatible with the firmware installed on the SMP 401. To ensure this, the RCP 401 firmware is managed automatically by the SMP series products. The firmware version of the RCP 401 can be found on the SMP 401 embedded web page under Configuration > Device Utilities > Remote Control Panel (RCP).

When the remote control panel is first connected to the SMP 401, the SMP checks the firmware version on the RCP 401 and, if necessary, automatically updates the panel firmware to a compatible version.

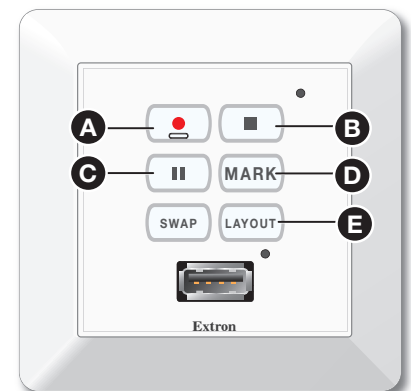
If the SMP firmware is updated, the RCP 401 firmware is automatically updated at the same time.

Making a Recording

Once the SMP 401 and RCP 401 are installed, and configured, follow these instructions to make a recording using the RCP 401:

NOTE: The recording controls are the same in the EU and MK models.

1. Open the SMP 401 web page to ensure the recording will be saved to the correct drive and that the USB drive, if required, is attached to the correct drive.
2. If required, select a different layout by pressing the **LAYOUT** button (see figure 10, **E**).
3. Start the recording by pressing the **Record** button (**A**).
4. If required, add a chapter marking by pressing the **MARK** button (**D**).
5. If required, pause the recording by pressing the **Pause** button (**C**).
Restart the recording by pressing the **Pause** button a second time or by pressing the **Record** button.
6. End the recording by pressing the **Stop** button (**B**).



RCP 401 EU

Figure 10. RCP 401 EU Front Panel

For information on safety guidelines, regulatory compliances, EMI/EMF compatibility, accessibility, and related topics, see the [Extron Safety and Regulatory Compliance Guide](#) on the Extron website.