

YCS 100

VIDEO DECODER & ENCODER

- High quality digital decoder with time base stabilization
- Decodes composite video into S-video
- Encodes S-video into composite video
- Simultaneous composite video and S-video output
- Buffered loop-throughs for local video monitoring
- Compatible with NTSC, PAL, and SECAM video signals
- Compact, rack-mountable metal enclosure



The Extron YCS 100 is a video transcoder that decodes composite video into S-video, and encodes S-video into composite video. It is ideal for applications requiring video signal conversion, such as conference rooms, classrooms, video production facilities, and residential entertainment systems.



Extron® Electronics

www.extron.com

DESCRIPTION

The Extron YCS 100 combines a composite video to S-video decoder and an S-video to composite video encoder in a single enclosure. It automatically detects NTSC, PAL, and SECAM format video signals, and simultaneously outputs composite video and S-video to allow for recording and display at the same time. The YCS 100 is ideal for applications in conference rooms, classrooms, video production facilities, and residential entertainment systems.

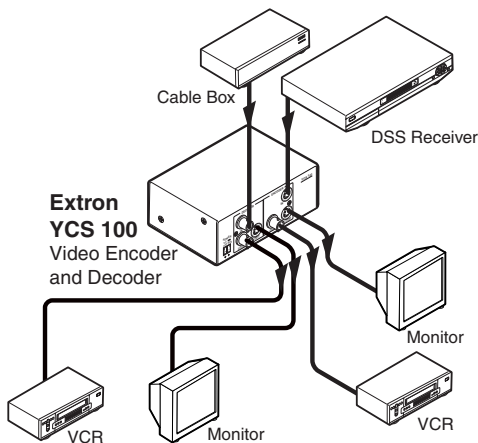
The YCS 100 features a high quality digital decoder with time base stabilization to optimize performance with composite video sources, including worn or multi-generation videotapes, consumer VCRs, and other devices with unstable sync signals.

For the decoder and encoder functions, the YCS 100 provides a buffered loop-through for the composite video and S-video inputs, respectively. Part of the VersaTools® line of small, economical, integrator friendly products, the YCS 100 is housed in a 1U, quarter rack width metal enclosure.

FEATURES

- **High quality digital decoder with time base stabilization** – Broadcast-quality digital decoder eliminates jitter, dot crawl, and other decoding artifacts while also stabilizing and improving the video from older analog VCRs or worn videotapes.
- **Quad standard compatible** – Automatically detects NTSC, PAL, and SECAM format video signals for integration into systems worldwide.
- **Rack-mountable 1U, quarter rack width metal enclosure**
- **External international power supply included, part # 70-055-01**

APPLICATION DIAGRAM



SPECIFICATIONS

VIDEO

Gain	Unity
Standards	NTSC 3.58, NTSC 4.43, PAL (B, G, H, I, D, N), SECAM (B, G, H, D, K, K1, L); autodetected

VIDEO INPUT — ENCODER PORTION

Number/signal type.....	1 S-video, 1 S-video loop-through
Connectors	2 female 4-pin mini DIN
Nominal level	1 Vp-p for Y of S-video (including sync) 0.3 Vp-p for C of S-video

SPECIFICATIONS (CONT.)

Minimum/maximum levels	Analog: 0.3 V to 1.5 Vp-p for Y with no offset at unity gain
Impedance	75 ohms
Return loss	-27 dB for Y, -31 dB for C @ 5 MHz
Input coupling.....	AC coupled
Signal processing type	Analog encoding

VIDEO OUTPUT — ENCODER PORTION

Number/signal type.....	1 composite video
Connectors	1 female BNC
Nominal level	1 Vp-p for composite video
Minimum/maximum levels	0.3 V to 1.5 Vp-p follows input
Impedance	75 ohms
Return loss	-40 dB @ 3.58 MHz
DC offset	±300 mV with input at 0 offset

VIDEO INPUT — DECODER PORTION

Number/signal type.....	1 composite video input, 1 loop-through
Connectors	2 female BNC
Nominal level	1 Vp-p for composite video (including sync)
Minimum/maximum levels	Analog: 0.3 V to 1.5 Vp-p for composite video with no offset at unity gain
Impedance	75 ohms
Return loss	-34 dB for composite video @ 5 MHz
Input coupling.....	Decoder input: AC coupled Loop-through input: DC coupled
Signal processing type	Digital decoding
Digital sampling.....	10 bits per color, 30 bits total
Decoder type.....	Adaptive 2D, 5-line digital comb filter

VIDEO OUTPUT — DECODER PORTION

Number/signal type.....	1 S-video
Connectors	1 female 4-pin mini DIN
Nominal level	1 Vp-p for Y of S-video (including sync) 0.3 Vp-p for C of S-video
Minimum/maximum levels	0.3 V to 1.5 Vp-p for Y, follows input
Impedance	75 ohms
Return loss	-40 dB @ 3.58 MHz
DC offset	Y: ±300 mV with input at 0 offset C: ±600 mV

GENERAL

External power supply	100 VAC to 240 VAC, 50/60 Hz, external, autoswitchable; to 12 VDC, 1 A max., regulated
Power input requirements.....	12 VDC, 0.3 A
Rack mount	Yes, with optional 1U rack shelf part #60-190-20 or 60-604-20. Above-projector mountable with optional Multi-Product Projector Mounting Kit #70-217-01.
Enclosure type	Metal
Enclosure dimensions	1.7" H x 4.3" W x 3.0" D (1U high, quarter rack wide) 4.3 cm H x 10.9 cm W x 7.6 cm D (Depth excludes connectors.)
Product weight	0.4 lbs (0.2 kg)
Shipping weight	3 lbs (2 kg)
Vibration	ISTA 1A in carton (International Safe Transit Association)
Listings	UL, CUL
Compliances.....	CE, FCC Class A, VCCI, AS/NZS, ICES
MTBF.....	30,000 hours
Warranty	3 years parts and labor

NOTE: All nominal levels are at ±10%.

Model	Version Description	Part Number
YCS 100	Video Decoder & Encoder.....	60-323-10

Specifications are subject to change without notice.



Extron Electronics, USA
1230 South Lewis Street
Anaheim, CA 92805
800.633.9876 714.491.1500
FAX 714.491.1517

Extron Electronics, Europe
Beeldschermweg 6C
3821 AH Amersfoort, The Netherlands
+800.3987.6673 +31.33.453.4040
FAX +31.33.453.4050

Extron Electronics, Asia
135 Joo Seng Rd. #04-01
PM Industrial Bldg., Singapore 368363
+800.7339.8766 +65.6383.4400
FAX +65.6383.4664

Extron Electronics, Japan
Kyodo Building, 16 Ichibancho
Chiyoda-ku, Tokyo 102-0082
Japan
+81.3.3511.7655 FAX +81.3.3511.7656