

Extron Electronics

INTERFACING, SWITCHING AND DISTRIBUTION



NTSC/PAL compatible

Y/C separator

Accepts composite &
S-Video

S-Video encoder

S-Video and composite
video outputs

RS-232/Contact control

Six input switcher

Rack mountable



APPLICATION

Extron's YCS SW6 MX is a six input, one output switcher that also separates the Luminance (Luma) and Chrominance (Chroma) of standard composite video and outputs to Y/C (S-Video). The unit accepts both composite video and S-video input sources, and gives the user an option to output in S-Video, thus providing an output without any "chroma crawl". The YCS SW6 MX provides high performance Y/C output by way of a high quality, three line adaptive comb filter for either NTSC or PAL. In an A/V rental application where both high and low-end components are used together, Extron's YCS SW6 MX ensures that the output signal will be consistent— clear Y/C output. Thus, the YCS SW6 MX provides maximum flexibility and the best possible signal output overall.

The YCS SW6 MX has six inputs. All six inputs are compatible composite video signals and four of the inputs will also accept S-Video signals. Because the YCS SW6 MX is both an encoder and a decoder, composite video may be decoded into Y/C and S-Video may be encoded into a composite video signal. Now it is possible to take full advantage of various S-Video and composite video components with the option for either composite video or Y/C output. In fact, the YCS SW6 MX has a decoder that is exceptional in comparison to decoders typically found in most display devices (such as monitors or projectors).

FEATURES

- Six inputs (all six accept composite video and four accept S-Video)
- Y/C separator decodes composite video into Y/C (S-Video) for higher quality signal output
- Can encode the four S-Video inputs into composite video
- Can decode any one of the six composite video inputs into S-Video
- Dual input design— Allows separate inputs for composite video and S-Video
- Professional front panel tactile switch buttons
- Momentary contact closure and RS-232 control compatible with any third party control system
- Enclosed in 1/2 rack width, 1U high metal enclosure

SPECIFICATIONS

Inputs

Composite/S-Video input	
Connectors	BNC/4 pin mini DIN (female)
Nominal video level	1 volt p-p
Maximum video level	2 volt p-p
Input impedance	75 ohm
Return loss	-30 dB at 5 MHz
Superimposed DC	1.5 volt
Video throughput	
Gain	unity
Bandwidth	15 MHz, -3 dB
Frequency response	less than +5 or to 15 MHz
Differential phase error	0.1° to 10 MHz
Differential gain error	0.1% to 10 MHz
Crosstalk	-60 dB at 3.58 MHz

Outputs

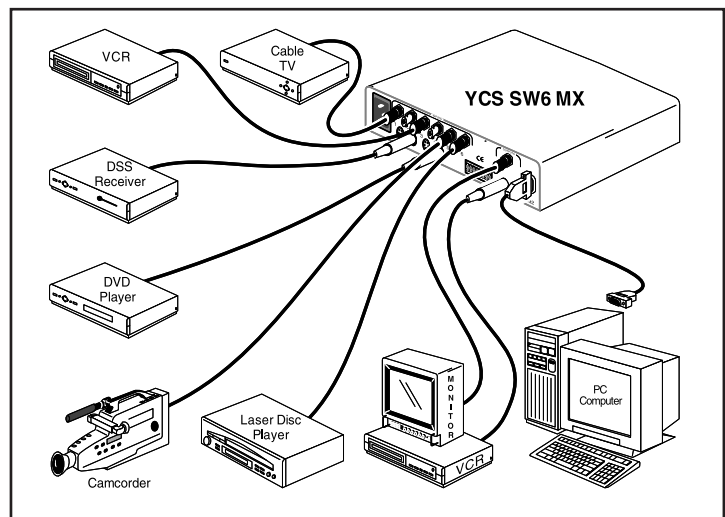
Composite/S-Video outputs	
Connectors	BNC/4 pin mini DIN (female)
Nominal video level	1 volt p-p
Maximum video level	2 volt p-p
Impedance	75 ohm
Return loss	-30 dB at 5MHz
DC offset	+/-5mV input to output

Control system

Serial control port	9 pin D-sub female, Std. RS-232
Contact closure	Same as above, momentary
Baud rate	9600
Protocol	8 bits, 1 stop bit, no parity

Other

Dimensions	1.75"H x 9.5"D x 8.75"W 4.45 x 24.13 x 22.22 cm
MTBF	30,000 demonstrated hours
Operating temp. range	0-40° C
Input voltage	100-240 VAC 50/60 Hz (internal)
Power requirements	12 watts
Weight	4 lbs., 1.8 kg
Safety certification	CE, UL, FCC class A
Warranty	Two years, part & labor



EXTRON ELECTRONICS/RGB SYSTEMS, INC.
1230 South Lewis Street, Anaheim, CA 92805
800.633.9876 714.491.1500 FAX 714.491.1517
U.S.A.

EXTRON ELECTRONICS, EUROPE
Beeldschermweg 6C, 3821 AH Amersfoort
+31.33.453.4040 FAX +31.33.453.4050
The Netherlands

EXTRON ELECTRONICS, ASIA
41B Kreta Ayer Road, Singapore 089003
+65.226.0015 FAX +65.226.0019
Singapore

EXTRON ELECTRONIC INFORMATION
EXTRONWEB™: www.extron.com
EXTRONFAX™: 714.491.0192
24-hour access—worldwide!